

BALDOR • RELIANCE

Customer information packet

CDPWD3605

5HP, 1750RPM, DC, 1810ATC, 3681P, TEFC, F1

Class - None

Division -

Copyright © All product information within this document is subject to ABB Motors and Mechanical Inc. copyright © protection, unless otherwise noted.

9/9/2024 6:22:33 AM

Specifications

Armature Voltage	180 V
Base Speed	1750 rpm
Enclosure	TEFC
Frame	1810ATC
Frame Material	Steel
Haz Area Class and Group	None
Output Power	5.000 HP
Agency Approvals	CE CSA UR
Ambient Temperature	40 °C
Armature Current	24.5 a
Armature Inertia	177.060 lb-ft ²
Base Indicator	Rigid
Bearing Grease Type	Polyrex EM (-20F +300F)
Drip Cover	No Drip Cover
Duty Rating	CONT
Feedback Device	NO FEEDBACK
Heater Indicator	No Heater
Lifting Lugs	Standard Lifting Lugs
Motor Lead Exit	Ko Box
Motor Lead Quantity/Wire Size	2 @ 12 AWG, A
Motor Lead Termination	Flying Leads
Motor Standards	NEMA
Mounting Arrangement	F1
Overall Length	27.83 IN
Product Family	Wash Down
Pulley End Bearing Type	Sealed Bearing
Service Factor	1.00
Shaft Diameter	1.125 IN
Shaft Extension Location	Pulley End
Shaft Ground Indicator	No Shaft Grounding

Part detail

Revision	AV
Type	DC
Mech. spec.	36P128
Base	
Status	PRD/A
Elec. spec.	36WGZ509
Layout	36LYP128
Eff. date	10-09-2023
CD Diagram	CD0194
Poles	00
Leads	2#12 A Y
Proprietary	False
Created date	01-01-0001

Shaft Rotation

Reversible

Shaft Slinger Indicator

Shaft Slinger

Nameplate

NP1509					
CAT.NO.	CDPWD3605				
SPEC.	36P128Z509				
HP	5/KW3.73	ENCL	TEFC		
RPM	1750				
FRAME	1810ATC	TYPE	3681P		
ARM V	180	ARM A	24.5		
FLD V	FLD A				
INSUL	F	AMB.	40		
DUTY	CONT	SUPPLY	K		
BRG/DE	6206	BRG/ODE	6206		
BRUSHES	2/BP5027A01				
	BLANK				
SER.					
BLANK	IP55 KG 71				
APRV-CSA	Y	APRV-UL	Y	APRV-CE	Y

DC Motor Performance Data

Record # 312

Typical performance - not guaranteed values

Winding: 36WGZ509-R001		Type: 3681P	Enclosure: TEFC	
Nameplate Data		General Characteristics		
Rated Output (HP)	5	Armature Resistance @ 25°C	0.16 Ω	
R.P.M.	1750	Voltage Constant	91.78 v/krpm	
Armature Volts	180	Armature Inductance	3.677 mH	
Armature Amps	24.5	Armature Inertia	177.0597 LI ²	
Field Volts				
Field Amps				
Rating - Duty	40C AMB-CONT			
Power Supply Code	K			

Load Characteristics at 180 Armature Volts

Load Point	1	2	3	4	5	6	7
Armature Amps	1.1	7.1	12.8	18.4	24.1	29.9	35.99
R.P.M.	1931	1915	1886	1870	1850	1832	1815
Torque (LB-FT)	0	3.8	7.57	11.39	15.18	19	22.81

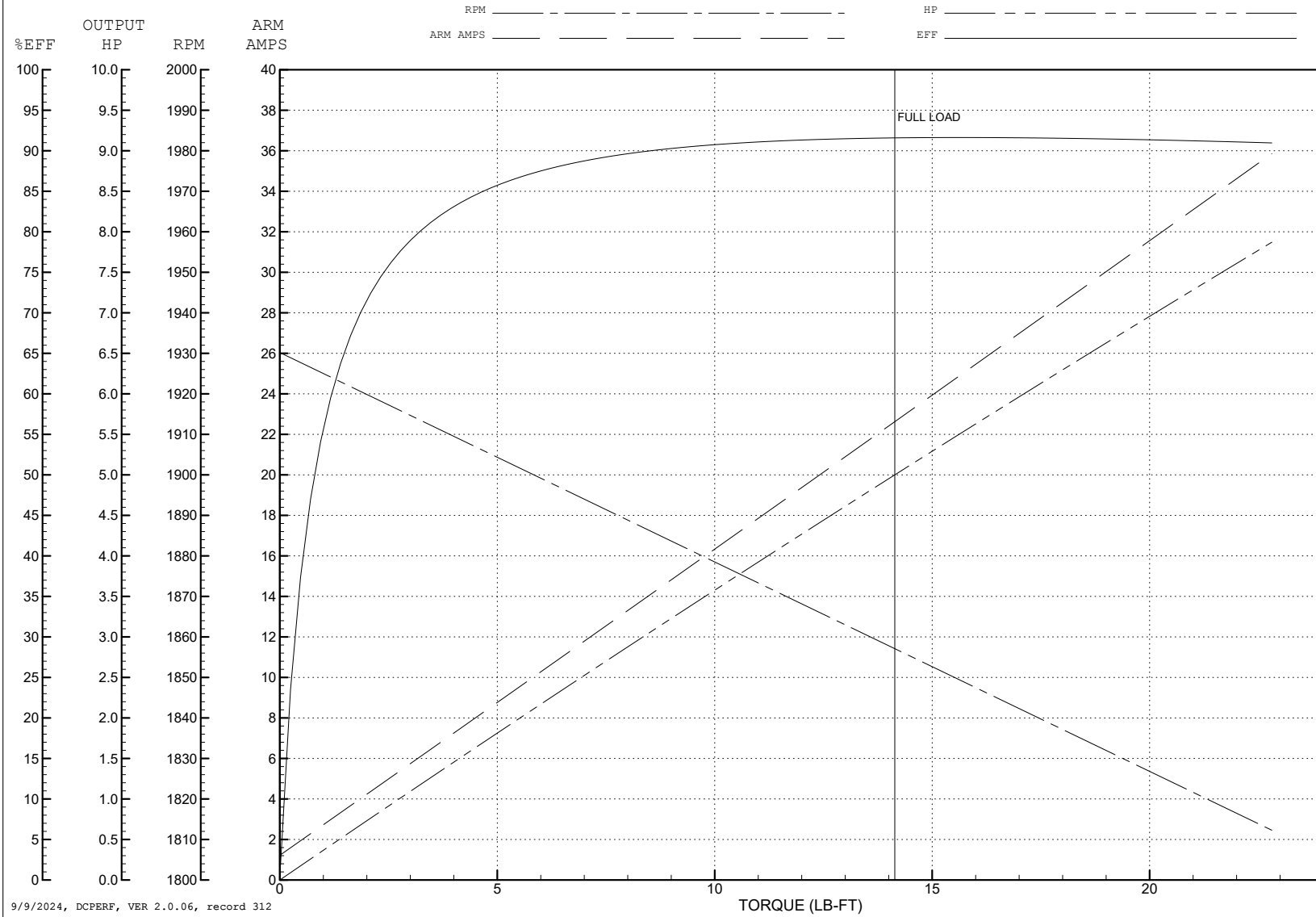
ABB Motors and Mechanical Inc.

WINDING # 36WGZ509

5 HP DC 1750 RPM 180 V 3681P

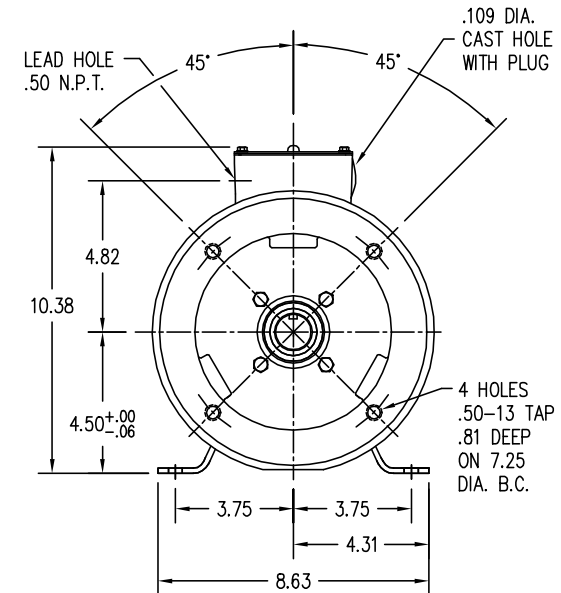
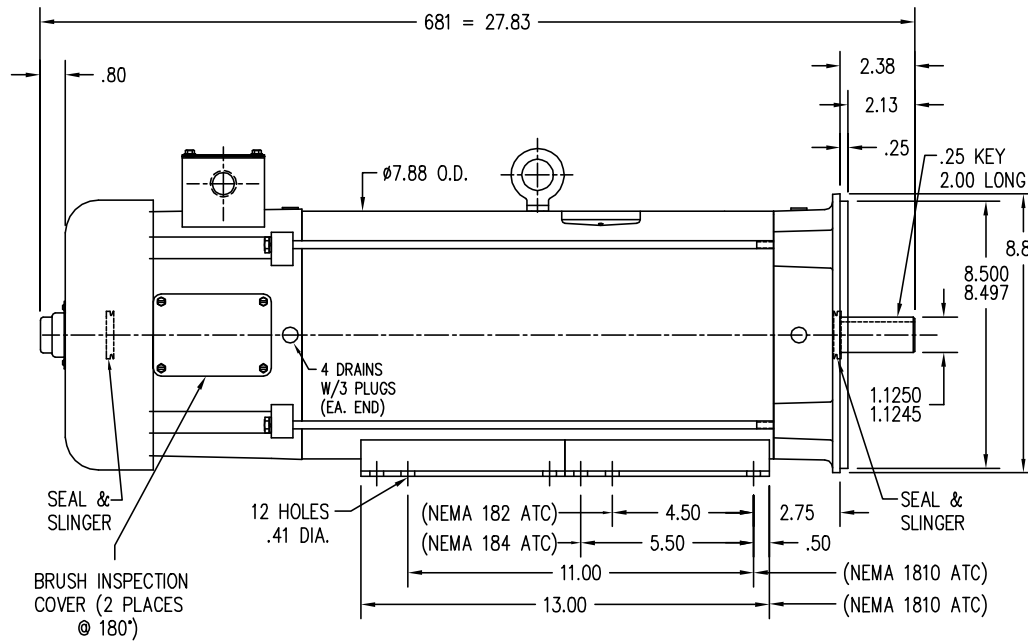
Typical performance - not guaranteed values.

ENCL: TEFC DUTY: CONT CL: F

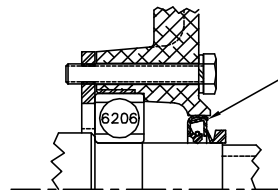


9/9/2024, DCPERF, VER 2.0.06, record 312

36LYP128



PULLEY END
DETAIL



APPLY COAT OF RED SEALER UNDER RETAINER RING BOLT HEAD & AROUND SEAL HOUSING BEFORE PRESSING IN SEAL.

CUSTOMER IS RESPONSIBLE FOR DETERMINING THAT MOTOR PERFORMANCE IS SUITABLE IN THE APPLICATION.

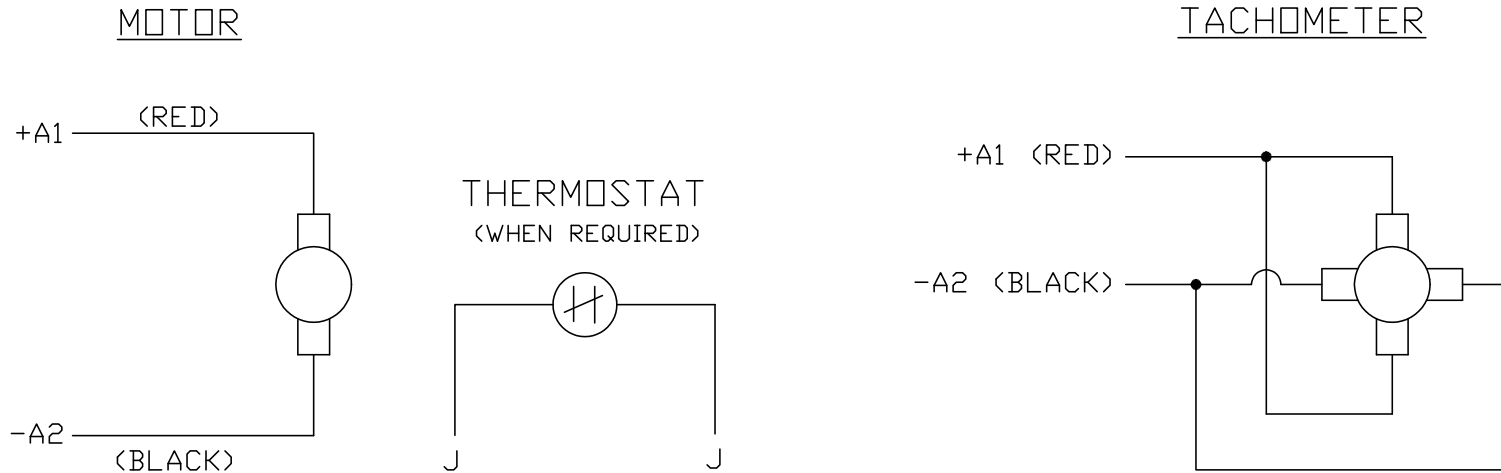
REV. DESC: SHOW CAST HOLE & PLUG IN KOBX, REMOVE DRAIN LABEL			
REV. LTR: H	BY: MAW	REVISED: 10:04:06 01/13/2005	TDR: 353653
8ZLDΛ79Ω		FILE: AAA00019513	REF: 36LYP128
		MTL: -	

BALDOR ELECTRIC Co.

STD HORZ "ATC" TEFC 36PM TYPE 681 PM 182-4ATC,1810ATC,MFTK

36LYP128

CD0194



NOTES:

1. CCW ROTATION AS SHOWN FACING COMMUTATOR END. TO REVERSE MOTOR ROTATION OR TACHOMETER OUTPUT POLARITY INTERCHANGE LEADS A1(RED) & A2(BLACK)
2. LEAD COLORS FOR REFERENCE ONLY & NOT SPECIFIED BY THIS DRAWING. LEAD COLORS SPECIFIED BY LAYOUT DRAWING & BILL OF MATERIAL ONLY.

MATL: -			
REV: E	ADDED NOTE "LEAD COLORS FOR REFERENCE ONLY &..."		
CD0194	SCALE: -	BY: CK	REVISED: 07/28/95
	FILE: AAA00004503	TDR: 0078737	

BALDOR ELECTRIC Co.

CD TYPE P DC PERMANENT MAGNET MOTORS AND TACHOMETERS

CD0194