

ABB BALDOR RELIANCE III

Customer information packet

CDPWD3603

3HP, 1750RPM, DC, 184TC, 3649P, TEFC, F1

Class - None

Division -

Specifications

Armature Voltage	180 V
Base Speed	1750 rpm
Enclosure	TEFC
Frame	184TC
Frame Material	Steel
Haz Area Class and Group	None
Output Power	3.000 HP
Agency Approvals	CE CSA UR
Ambient Temperature	40 °C
Armature Current	14.0 a
Armature Inertia	107.110 lb-ft ²
Base Indicator	Rigid
Bearing Grease Type	Polyrex EM (-20F +300F)
Drip Cover	No Drip Cover
Duty Rating	CONT
Feedback Device	NO FEEDBACK
Heater Indicator	No Heater
Lifting Lugs	Standard Lifting Lugs
Motor Lead Exit	Ko Box
Motor Lead Quantity/Wire Size	2 @ 12 AWG, A
Motor Lead Termination	Flying Leads
Motor Standards	NEMA
Mounting Arrangement	F1
Overall Length	24.33 IN
Product Family	Wash Down
Pulley End Bearing Type	Sealed Bearing
RoHS Status	ROHS COMPLIANT
Service Factor	1.00
Shaft Diameter	1.125 IN
Shaft Extension Location	Pulley End

Part Detail

Revision	BC
Type	DC
Mech. spec.	36P126
Base	
Status	PRD/A
Elec. spec.	36WGZ507
Layout	36LYP126
Eff. date	03-19-2026
CD Diagram	CD0194
Poles	00
Leads	2#12 A Y
Proprietary	False
Created date	01-01-0001

Shaft Ground Indicator

No Shaft Grounding

Shaft Rotation

Reversible

Shaft Slinger Indicator

Shaft Slinger

Nameplate

NP1509				
CAT.NO.	CDPWD3603			
SPEC.	36P126Z507			
HP	3/KW2.24	ENCL	TEFC	
RPM	1750			
FRAME	184TC	TYPE	3649P	
ARM V	180	ARM A	14	
FLD V		FLD A		
INSUL	F	AMB.	40	
DUTY	CONT	SUPPLY	K	
BRG/DE	6206	BRG/ODE	6206	
BRUSHES	2/BP5031A01			
	BLANK			
SER.				
BLANK	IP55 KG 51			
APRV-CSA	Y	APRV-UL	Y	APRV-CE Y

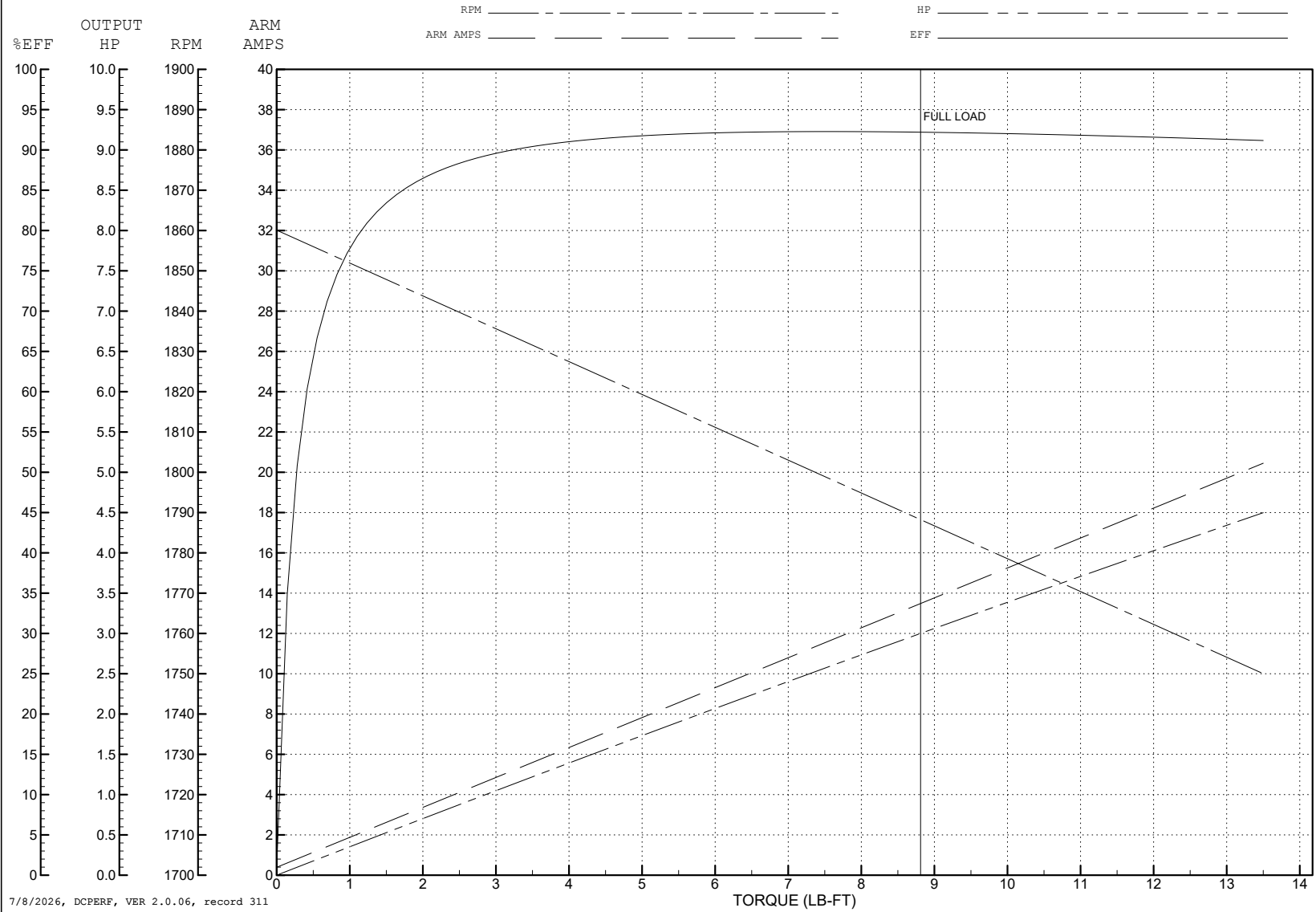
ABB Motors and Mechanical Inc.

WINDING # 36WGZ507

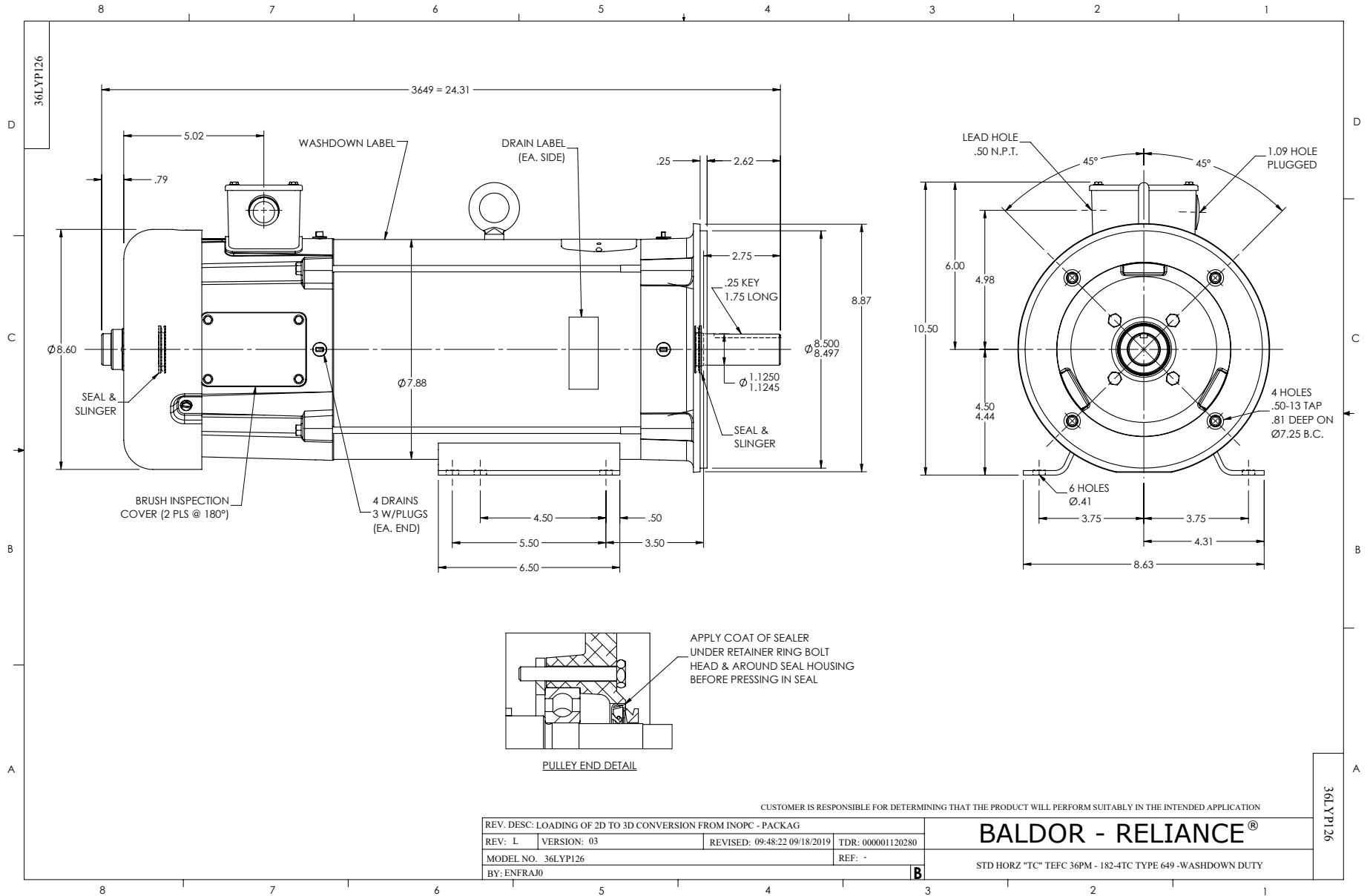
3 HP DC 1750 RPM 180 V 3649P

Typical performance - not guaranteed values.

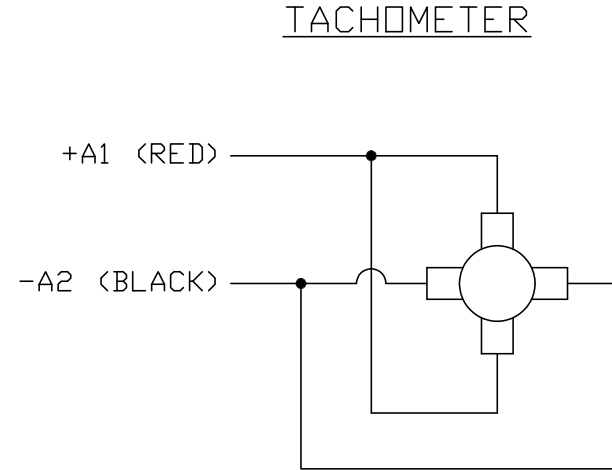
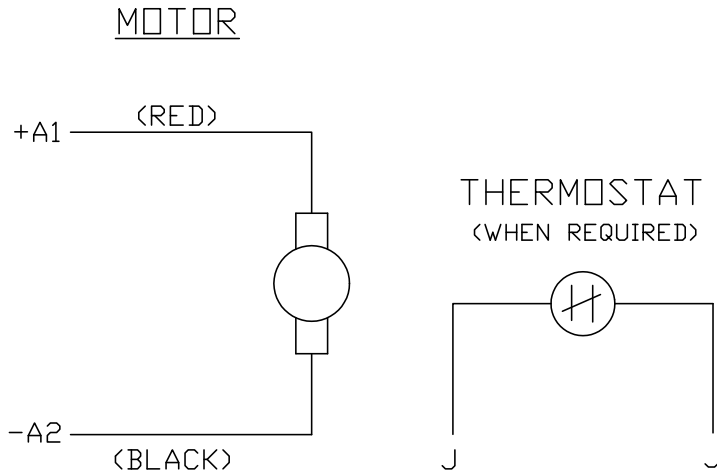
ENCL: TEFC DUTY: CONT CL: F



7/8/2026, DCPERF, VER 2.0.06, record 311



CD0194



NOTES:

1. CCW ROTATION AS SHOWN FACING COMMUTATOR END. TO REVERSE MOTOR ROTATION OR TACHOMETER OUTPUT POLARITY INTERCHANGE LEADS A1(RED) & A2(BLACK)
2. LEAD COLORS FOR REFERENCE ONLY & NOT SPECIFIED BY THIS DRAWING. LEAD COLORS SPECIFIED BY LAYOUT DRAWING & BILL OF MATERIAL ONLY.

MATL: -			
REV: E	ADDED NOTE "LEAD COLORS FOR REFERENCE ONLY &..."		
CD0194	SCALE: -	BY: CK	REVISED: 07/28/95
	FILE: AAA00004503	TDR: 0078737	

BALDOR ELECTRIC Co.

CD TYPE P DC PERMANENT MAGNET MOTORS AND TACHOMETERS

CD0194