



Customer information packet

CDPWD3445

1HP, 1750RPM, DC, 56C, 3435P, TEFC, F1

Class - None

Division -

Specifications

Armature Voltage	90 V
Base Speed	1750 rpm
Enclosure	TEFC
Frame	56C
Frame Material	Steel
Output Power	1.000 HP
XP Class and Group	None
Agency Approvals	CE CSA UR
Ambient Temperature	40 °C
Armature Current	10.0 a
Armature Inertia	13.657 lb-ft ²
Base Indicator	Rigid
Bearing Grease Type	Polyrex EM (-20F +300F)
Drip Cover	No Drip Cover
Duty Rating	CONT
Feedback Device	NO FEEDBACK
Heater Indicator	No Heater
Lifting Lugs	No Lifting Lugs
Motor Lead Exit	Ko Box
Motor Lead Quantity/Wire Size	2 @ 14 AWG, A
Motor Lead Termination	Flying Leads
Motor Standards	NEMA
Mounting Arrangement	F1
Overall Length	15.46 IN
Product Family	Wash Down
Pulley End Bearing Type	Sealed Bearing
RoHS Status	ROHS COMPLIANT
Service Factor	1.00
Shaft Diameter	0.625 IN
Shaft Extension Location	Pulley End

Part detail

Revision	AN
Type	DC
Mech. spec.	34-6418
Base	
Status	PRD/A
Elec. spec.	34WG3675
Layout	34LY6418
Eff. date	08-03-2021
CD Diagram	CD0194
Poles	00
Leads	2#14 A Y
Proprietary	False
Created date	01-01-0001

Shaft Ground Indicator

No Shaft Grounding

Shaft Rotation

Reversible

Shaft Slinger Indicator

Shaft Slinger

Nameplate

NP1509			
CAT.NO.	CDPWD3445		
SPEC.	34-6418-3675		
HP	1	ENCL	TEFC
RPM	1750 1/MIN		
FRAME	56C	TYPE	3435P
ARM V	90	ARM A	10
FLD V		FLD A	
INSUL	F	AMB.	40
DUTY	S1 CONT	SUPPLY	1.5
BRG/DE	6203	BRG/ODE	6203
BRUSHES	2/BP5000BK08		
		BLANK	IP55
SER.			
BLANK	KW.74 KG20 IC411		
APRV-CSA	Y	APRV-UL	Y
		APRV-CE	Y

DC Motor Performance Data

Record # 325

Typical performance - not guaranteed values

Winding: 34WG3675-R001		Type: 3435P	Enclosure: TEFC
Nameplate Data		General Characteristics	
Rated Output (HP)	1	Armature Resistance @ 25°C	0.537 Ω
R.P.M.	1750		
Armature Volts	90		
Armature Amps	10		
Field Volts			
Field Amps			
Rating - Duty	40C AMB-CONT		
Form Factor	1.5		

Load Characteristics at 90 Armature Volts

Load Point	1	2	3	4	5	6
Armature Amps	0.5	5	7.2	9.65	11.7	14.2
R.P.M.	1853	1758	1727	1711	1642	1604
Torque (LB-FT)	0	1.5	2.25	3	3.75	4.5

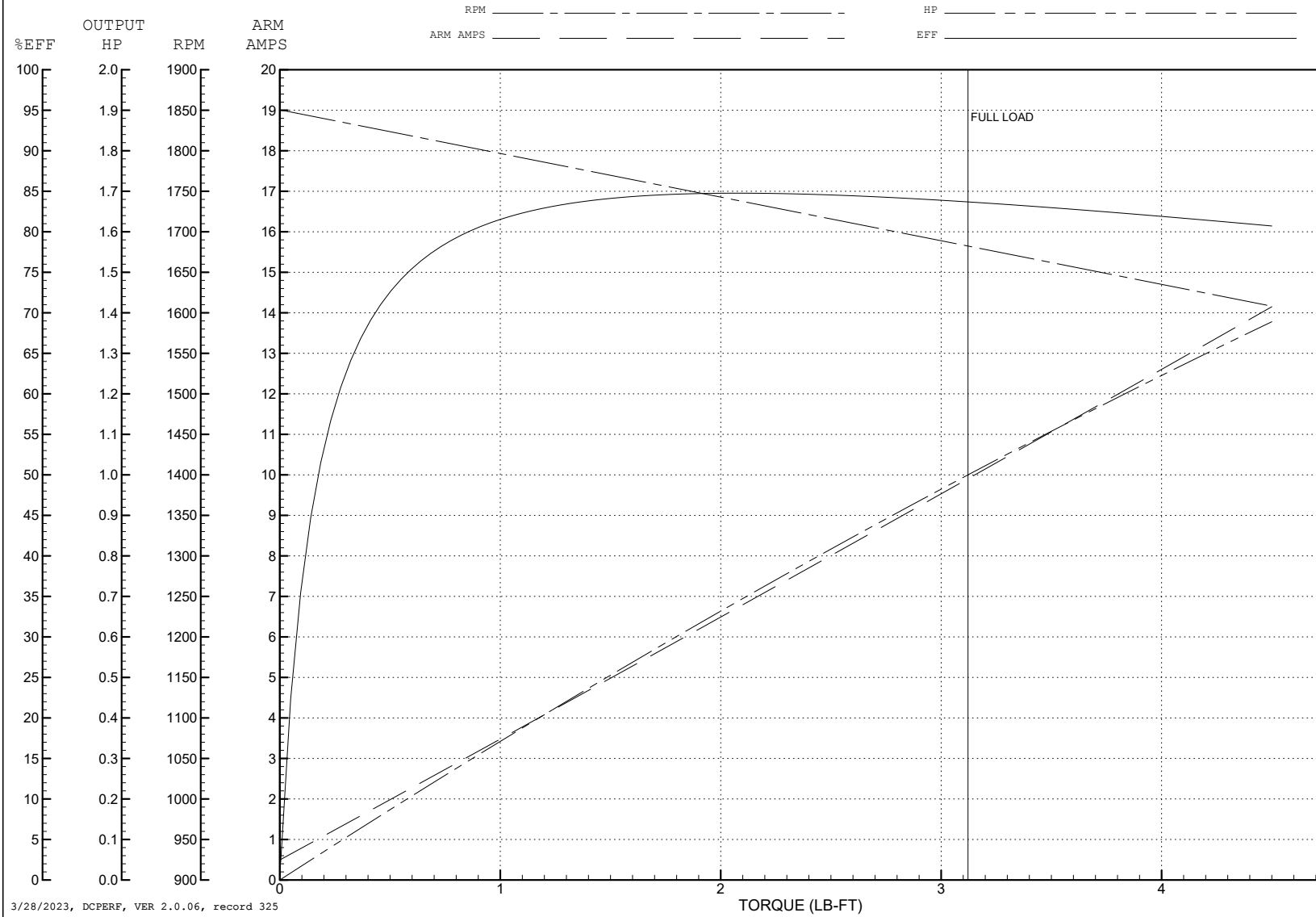
ABB Motors and Mechanical Inc.

WINDING # 34WG3675

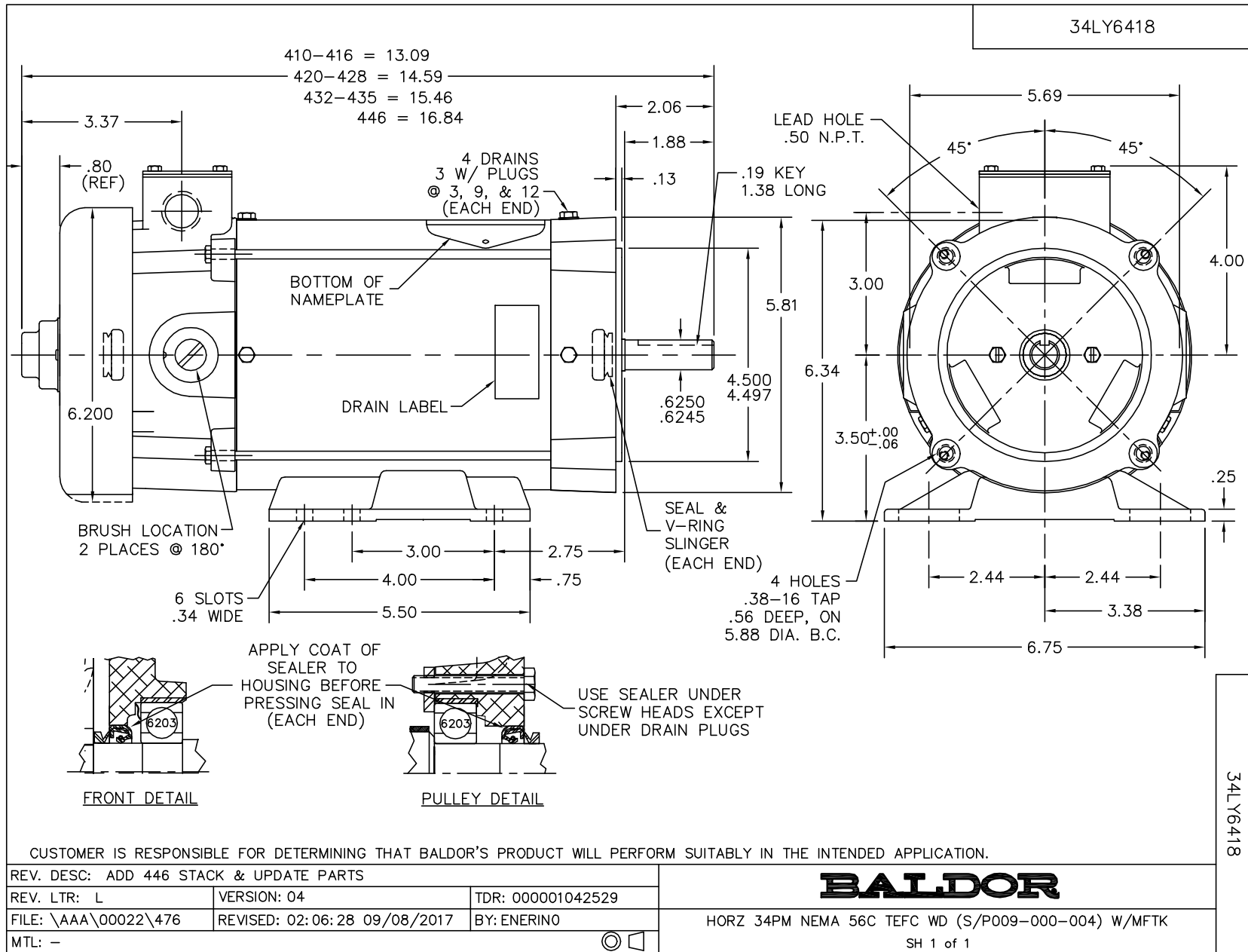
Typical performance - not guaranteed values.

1 HP DC 1750 RPM 90 V 3435P

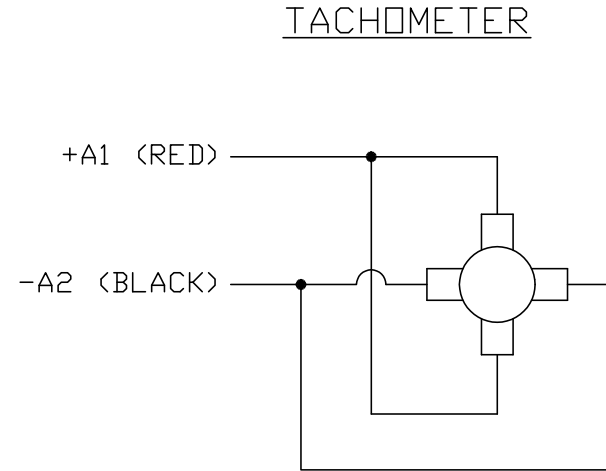
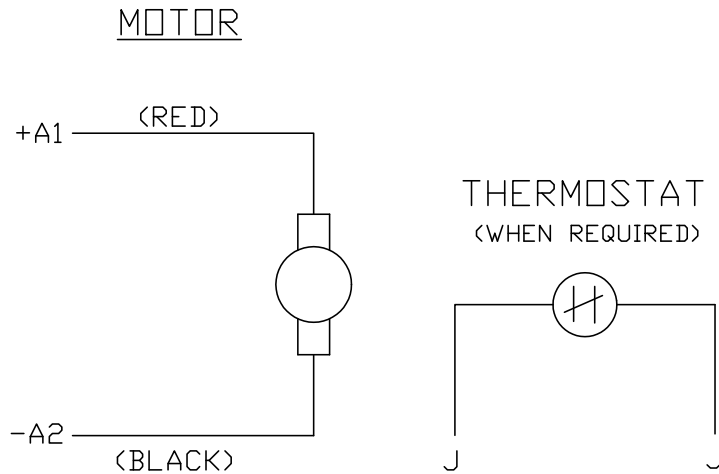
ENCL: TEFC DUTY: CONT CL: F



3/28/2023, DCPERF, VER 2.0.06, record 325



CD0194



NOTES:

1. CCW ROTATION AS SHOWN FACING COMMUTATOR END. TO REVERSE MOTOR ROTATION OR TACHOMETER OUTPUT POLARITY INTERCHANGE LEADS A1(RED) & A2(BLACK)
2. LEAD COLORS FOR REFERENCE ONLY & NOT SPECIFIED BY THIS DRAWING. LEAD COLORS SPECIFIED BY LAYOUT DRAWING & BILL OF MATERIAL ONLY.

MATL: -			
REV: E	ADDED NOTE "LEAD COLORS FOR REFERENCE ONLY &..."		
761000	SCALE: -	BY: CK	REVISED: 07/28/95
	FILE: AAA00004503	TDR: 0078737	

BALDOR ELECTRIC Co.

CD TYPE P DC PERMANENT MAGNET MOTORS AND TACHOMETERS

CD0194