

BALDOR® • RELIANCE®

Customer information packet

CDPWD3320

.33HP, 1750RPM, DC, 56C, 3327P, TENV, F1

Specifications

Armature Voltage	90 V
Base Speed	1750 rpm
Enclosure	TENV
Frame	56C
Frame Material	Steel
Output Power	0.330 HP
Agency Approvals	CE CSA UR
Ambient Temperature	40 °C
Armature Current	3.2 a
Armature Inertia	10.535 lb-ft ²
Base Indicator	Rigid
Bearing Grease Type	Polyrex EM (-20F +300F)
Drip Cover	No Drip Cover
Duty Rating	CONT
Feedback Device	NO FEEDBACK
Heater Indicator	No Heater
Lifting Lugs	No Lifting Lugs
Motor Lead Exit	Ko Box
Motor Lead Quantity/Wire Size	2 @ 18 AWG, A
Motor Lead Termination	Flying Leads
Motor Standards	NEMA
Mounting Arrangement	F1
Overall Length	13.19 IN
Product Family	Wash Down
Pulley End Bearing Type	Sealed Bearing
Service Factor	1.00
Shaft Diameter	0.625 IN
Shaft Extension Location	Pulley End
Shaft Ground Indicator	No Shaft Grounding
Shaft Rotation	Reversible

Part detail

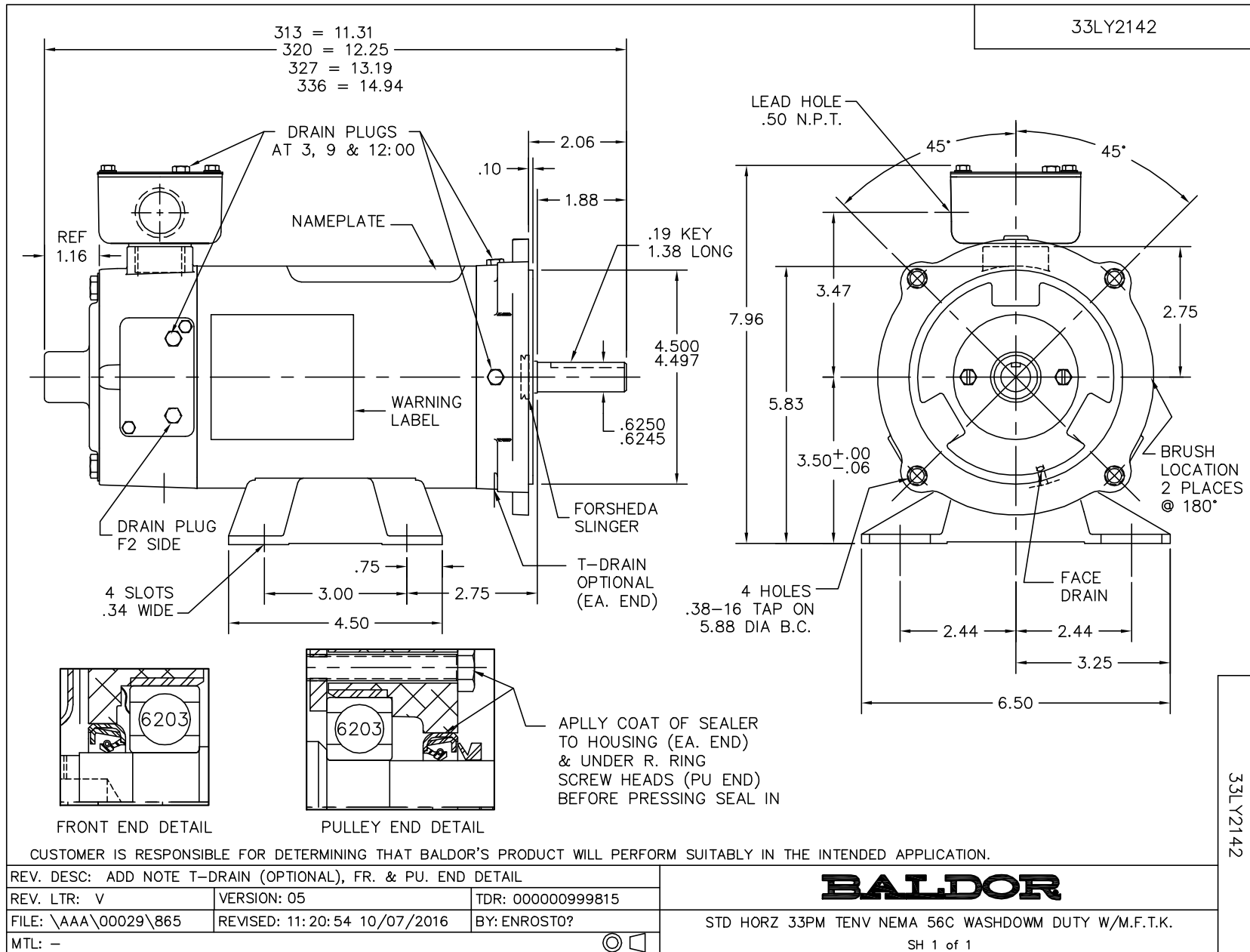
Revision	AE
Type	DC
Mech. spec.	33-2142
Base	
Status	PRD/A
Elec. spec.	33WGZ102
Layout	33LY2142
Eff. date	03-21-2022
CD Diagram	CD0194
Poles	00
Leads	2#18 A Y
Proprietary	False
Created date	01-01-0001

Shaft Slinger Indicator

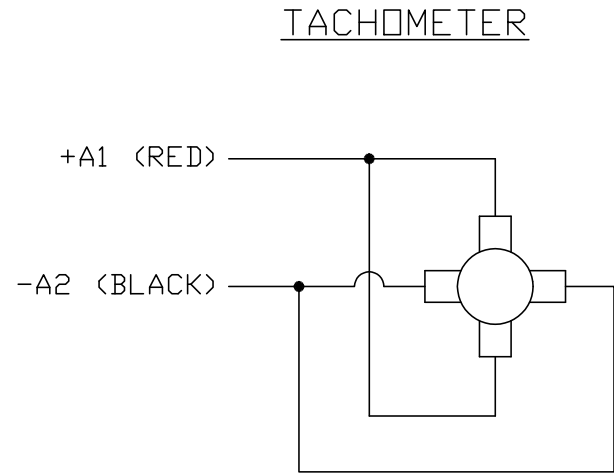
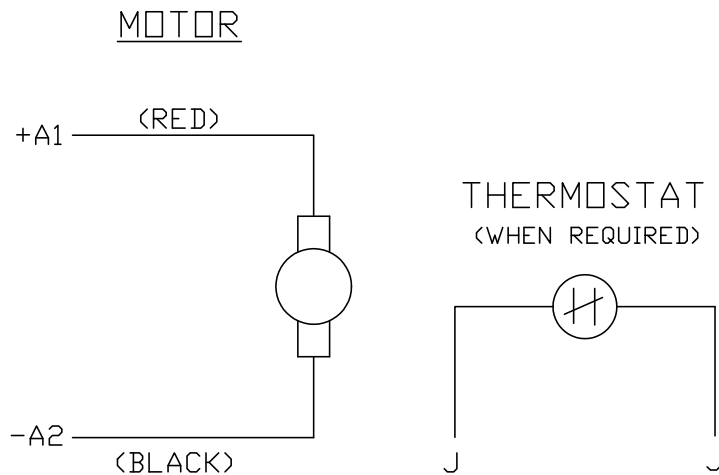
Shaft Slinger

Nameplate

NP1509			
CAT.NO.	CDPWD3320		
SPEC.	33-2142Z102		
HP	.33	ENCL	TENV
RPM	1750 1/MIN		
FRAME	56C	TYPE	3327P
ARM V	90	ARM A	3.2
FLD V		FLD A	
INSUL	F	AMB.	40
DUTY	S1 CONT	SUPPLY	1.3
BRG/DE	6203	BRG/ODE	6203
BRUSHES	2/BP5011T01		
	IP55	BLANK	
SER.			
BLANK	KW.25 KG12 IC410		
APRV-CSA	Y	APRV-UL	Y
		APRV-CE	Y



CD0194



NOTES:

1. CCW ROTATION AS SHOWN FACING COMMUTATOR END. TO REVERSE MOTOR ROTATION OR TACHOMETER OUTPUT POLARITY INTERCHANGE LEADS A1(RED) & A2(BLACK)
2. LEAD COLORS FOR REFERENCE ONLY & NOT SPECIFIED BY THIS DRAWING. LEAD COLORS SPECIFIED BY LAYOUT DRAWING & BILL OF MATERIAL ONLY.

MATL: -			
REV: E	ADDED NOTE "LEAD COLORS FOR REFERENCE ONLY &..."		
CD0194	SCALE: -	BY: CK	REVISED: 07/28/95
	FILE: AAA00004503	TDR: 0078737	

BALDOR ELECTRIC Co.

CD TYPE P DC PERMANENT MAGNET MOTORS AND TACHOMETERS

CD0194