

ABB BALDOR RELIANCE III



Customer information packet CDPWD3306

.25HP, 1750RPM, DC, 56C, 3320P, TENV, F1

Specifications

Armature Voltage	180 V
Base Speed	1750 rpm
Enclosure	TENV
Frame	56C
Frame Material	Steel
Output Power	0.250 HP
Agency Approvals	CE CSA UR
Ambient Temperature	40 °C
Armature Current	1.3 a
Armature Inertia	4.680 lb-ft ²
Base Indicator	Rigid
Bearing Grease Type	Polyrex EM (-20F +300F)
Drip Cover	No Drip Cover
Duty Rating	CONT
Feedback Device	NO FEEDBACK
Heater Indicator	No Heater
Lifting Lugs	No Lifting Lugs
Motor Lead Exit	Ko Box
Motor Lead Quantity/Wire Size	2 @ 18 AWG
Motor Lead Termination	Flying Leads
Motor Standards	NEMA
Mounting Arrangement	F1
Overall Length	12.25 IN
Product Family	Wash Down
Pulley End Bearing Type	Sealed Bearing
Service Factor	1.00
Shaft Diameter	0.625 IN
Shaft Extension Location	Pulley End
Shaft Ground Indicator	No Shaft Grounding
Shaft Rotation	Reversible

Part Detail

Revision	AK
Type	DC
Mech. spec.	33-2154
Base	
Status	PRD/A
Elec. spec.	33WGZ132
Layout	33LY2154
Eff. date	08-20-2024
CD Diagram	CD0194
Poles	00
Leads	
Proprietary	False
Created date	01-01-0001

Shaft Slinger Indicator

Shaft Slinger

Nameplate

NP1509				
CAT.NO.	CDPWD3306			
SPEC.	33-2154Z132			
HP	.25	ENCL	TENV	
RPM	1750 1/MIN IC410			
FRAME	56C	TYPE	3320P	
ARM V	180	ARM A	1.25	
FLD V		FLD A		
INSUL	F	AMB.	40	
DUTY	CONT	SUPPLY	1.3	
BRG/DE	6203	BRG/ODE	6203	
BRUSHES	2/BP5011CV01			
	IP55	BLANK		
SER.				
BLANK	KW.18 KG10			
APRV-CSA	Y	APRV-UL	Y	APRV-CE Y

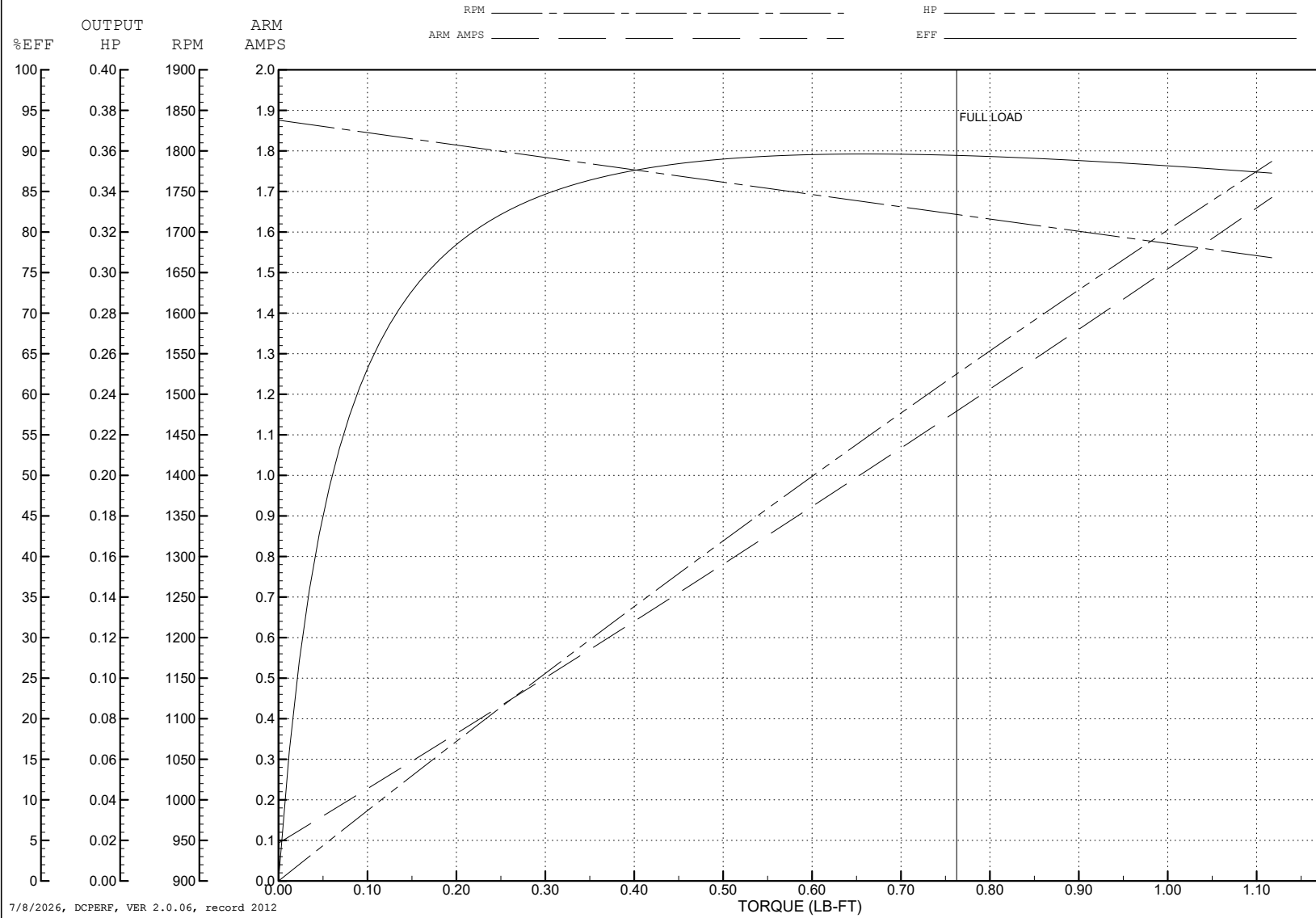
ABB Motors and Mechanical Inc.

WINDING # 33WGZ132

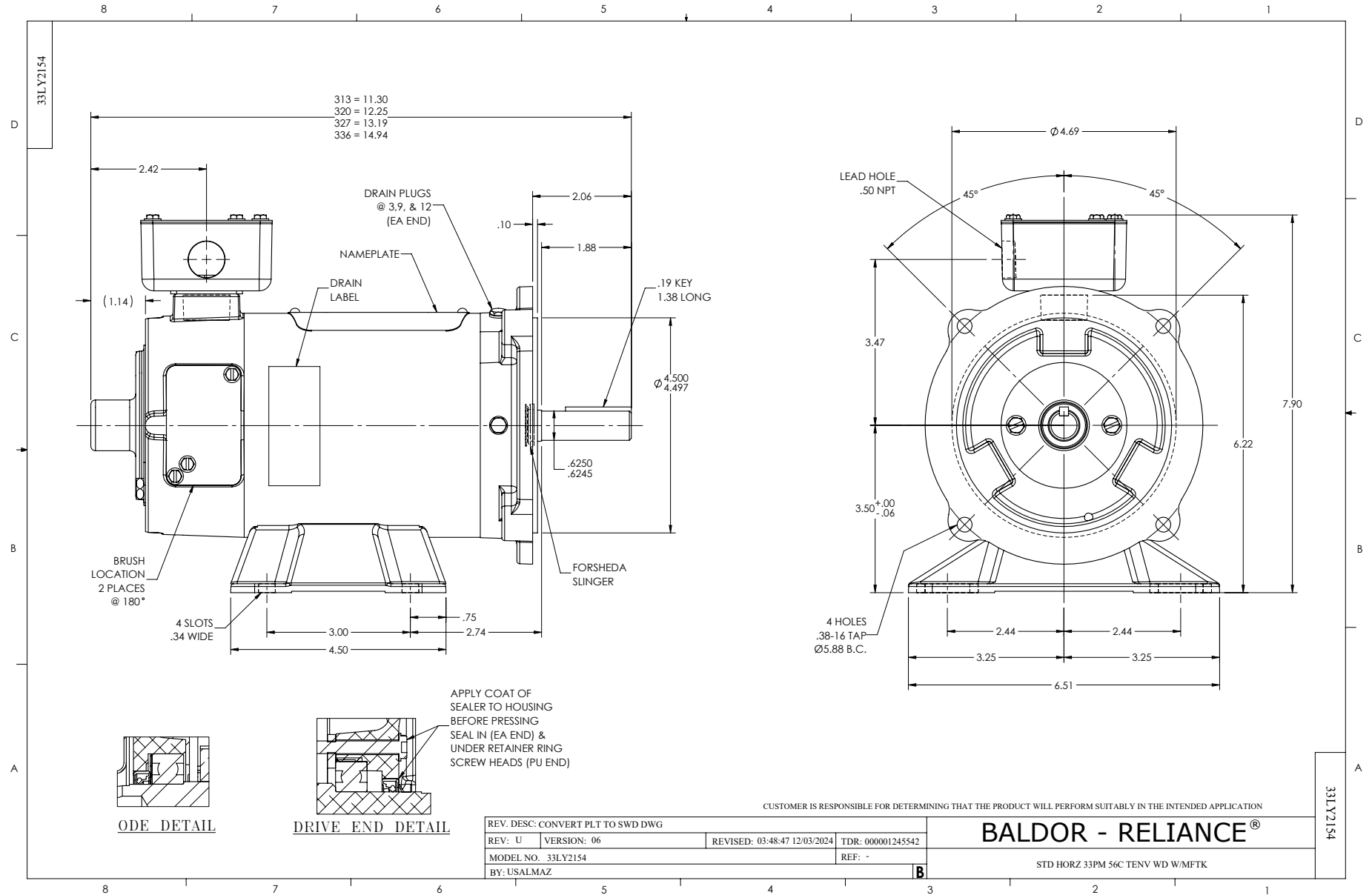
0.25 HP DC 1750 RPM 180 V 3320P

Typical performance - not guaranteed values.

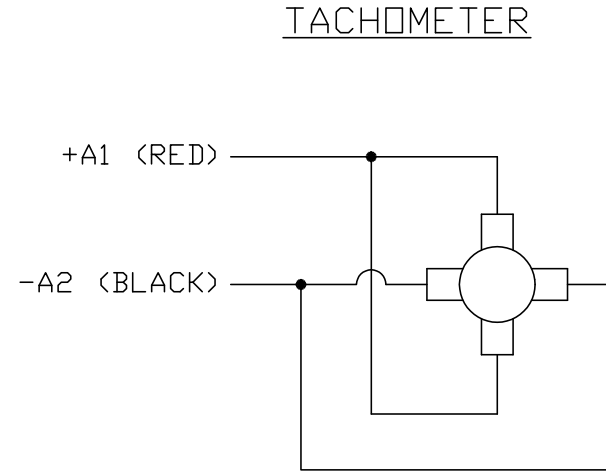
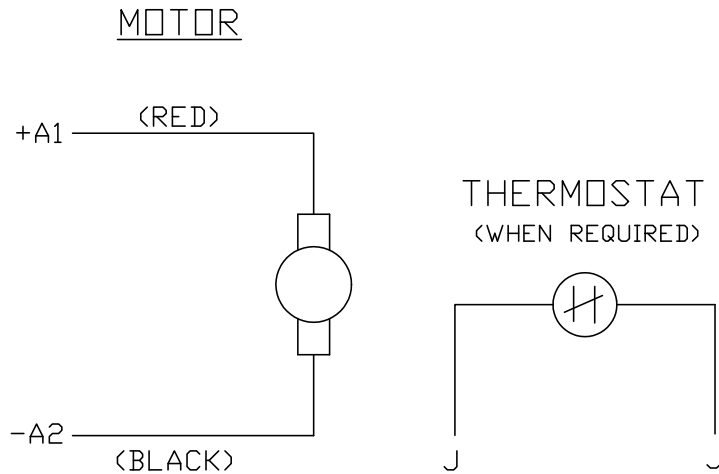
ENCL: TENV DUTY: CONT CL: F



7/8/2026, DCPERF, VER 2.0.06, record 2012



CD0194



NOTES:

1. CCW ROTATION AS SHOWN FACING COMMUTATOR END. TO REVERSE MOTOR ROTATION OR TACHOMETER OUTPUT POLARITY INTERCHANGE LEADS A1(RED) & A2(BLACK)
2. LEAD COLORS FOR REFERENCE ONLY & NOT SPECIFIED BY THIS DRAWING. LEAD COLORS SPECIFIED BY LAYOUT DRAWING & BILL OF MATERIAL ONLY.

MATL: -			
REV: E	ADDED NOTE "LEAD COLORS FOR REFERENCE ONLY &..."		
CD0194	SCALE: -	BY: CK	REVISED: 07/28/95
	FILE: AAA00004503	TDR: 0078737	

BALDOR ELECTRIC Co.

CD TYPE P DC PERMANENT MAGNET MOTORS AND TACHOMETERS

CD0194