

# ABB BALDOR RELIANCE III

---

## Customer information packet

### CDPT3440

.75HP, 1750RPM, DC, 56C, 3428P, TEFC, F1, N

Class - None

Division - Not Applicable

**Specifications**

<b>Armature Voltage</b>	90 V
<b>Base Speed</b>	1750 rpm
<b>Enclosure</b>	TEFC
<b>Frame</b>	56C
<b>Frame Material</b>	Steel
<b>Haz Area Class and Group</b>	None
<b>Output Power</b>	0.750 HP
<b>Agency Approvals</b>	CE CSA UR WEEE
<b>Ambient Temperature</b>	40 °C
<b>Armature Current</b>	7.6 a
<b>Armature Inertia</b>	10.926 lb-ft <sup>2</sup>
<b>Base Indicator</b>	Rigid
<b>Bearing Grease Type</b>	Polyrex EM (-20F +300F)
<b>Drip Cover</b>	No Drip Cover
<b>Duty Rating</b>	CONT
<b>Feedback Device</b>	TACHOMETER
<b>Haz Area Division</b>	Not Applicable
<b>Heater Indicator</b>	No Heater
<b>Insulation Class</b>	F
<b>Lifting Lugs</b>	No Lifting Lugs
<b>Motor Lead Quantity/Wire Size</b>	2 @ 14 AWG
<b>Motor Lead Termination</b>	Flying Leads
<b>Motor Standards</b>	NEMA
<b>Mounting Arrangement</b>	F1
<b>Overall Length</b>	16.64 IN
<b>Product Family</b>	General Purpose
<b>Pulley End Bearing Type</b>	Sealed Bearing
<b>Service Factor</b>	1.00
<b>Shaft Diameter</b>	0.625 IN

**Part Detail**

<b>Revision</b>	E
<b>Type</b>	DC
<b>Mech. spec.</b>	34-7842
<b>Base</b>	
<b>Status</b>	PRD/A
<b>Elec. spec.</b>	34WG3662
<b>Layout</b>	34LY7842
<b>Eff. date</b>	10-25-2024
<b>CD Diagram</b>	CD0194
<b>Poles</b>	00
<b>Leads</b>	
<b>Proprietary</b>	False
<b>Created date</b>	01-15-2019

**Shaft Ground Indicator**

No Shaft Grounding

**Shaft Rotation**

Reversible

**Shaft Slinger Indicator**

No Slinger

---

**Nameplate**

<b>NP0891L</b>			
<b>CAT.NO.</b>	CDPT3440		
<b>SPEC.</b>	34-7842-3662		
<b>HP</b>	.75/KW.55	<b>ENCL</b>	TEFC
<b>RPM</b>	1750 1/MIN		
<b>FRAME</b>	56C	<b>TYPE</b>	3428P
<b>ARM V</b>	90	<b>ARM A</b>	7.6
<b>FLD V</b>		<b>FLD A</b>	
<b>INSUL</b>	F	<b>AMB.</b>	40
<b>DUTY</b>	CONT	<b>SUPPLY</b>	1.5
<b>BRG/DE</b>	6203	<b>BRG/ODE</b>	6203
<b>BRUSHES</b>	2/BP5000BK08		
		<b>BLANK</b>	
<b>SER.</b>			
<b>BLANK</b>	IP44 KG20 IC411		
<b>APRV-CE</b>	Y	<b>APRV-CSA</b>	Y
		<b>APRV-UL</b>	Y

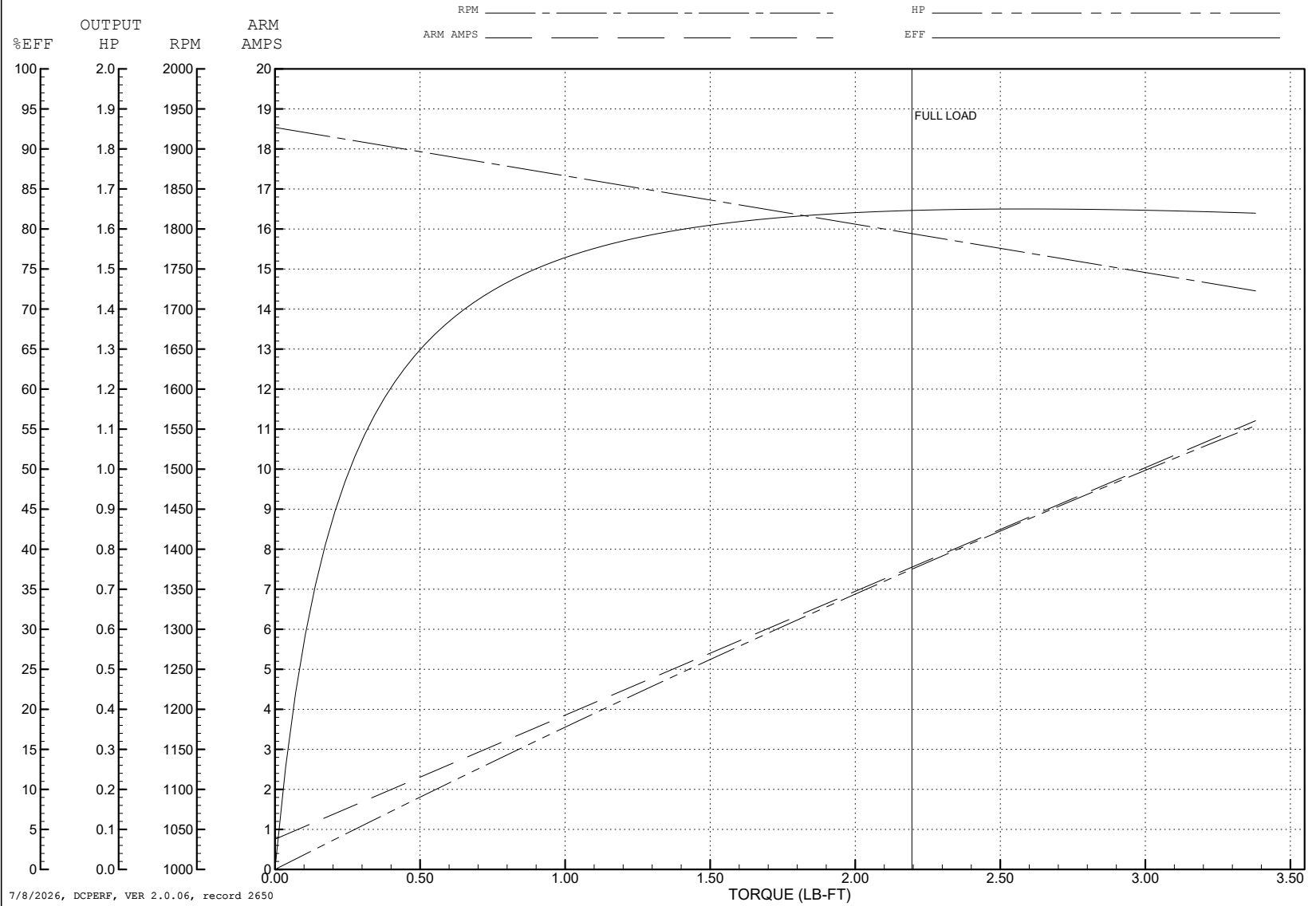
ABB Motors and Mechanical Inc.

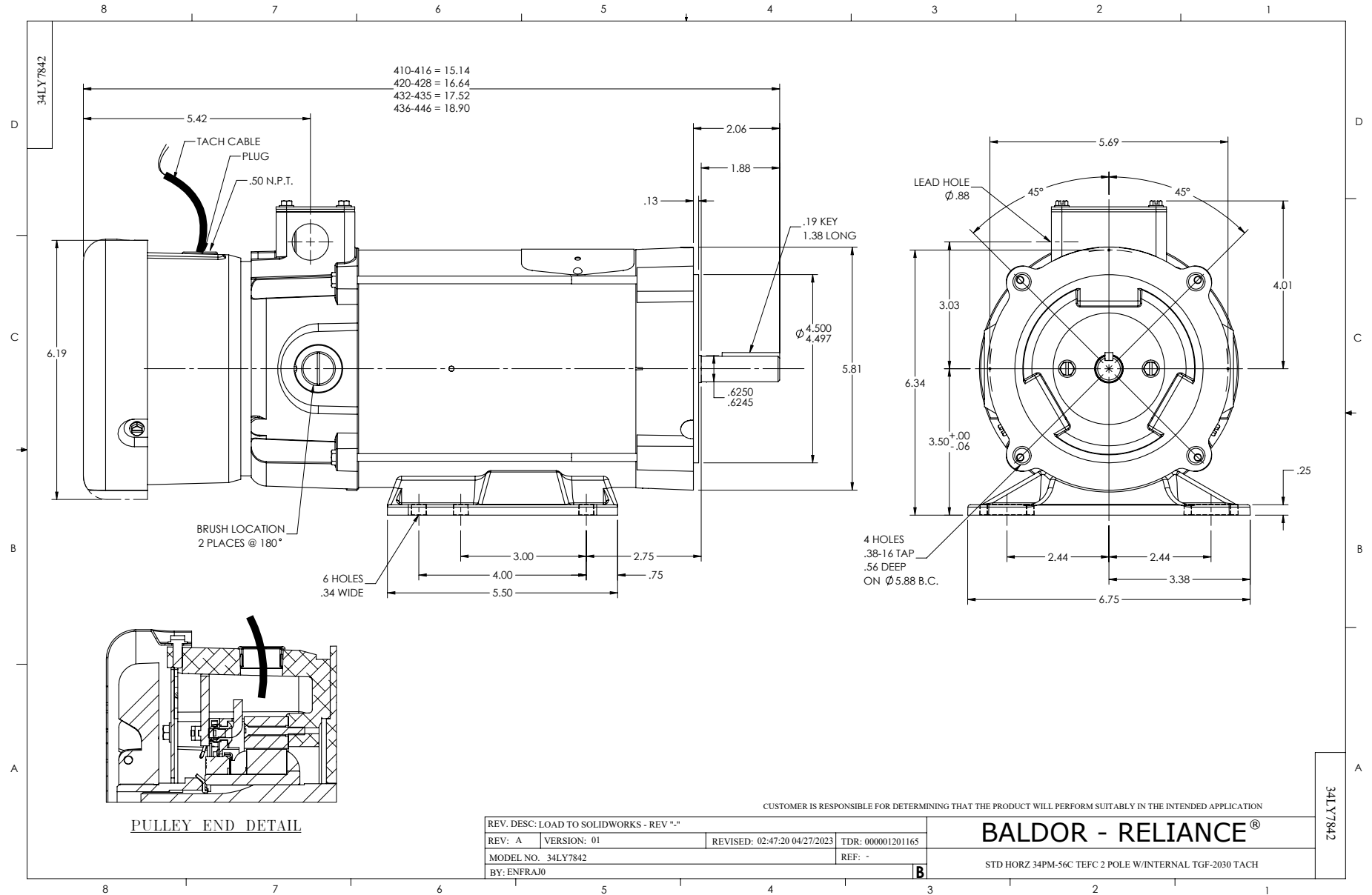
WINDING # 34WG3662

0.75 HP DC 1750 RPM 90 V 3428P

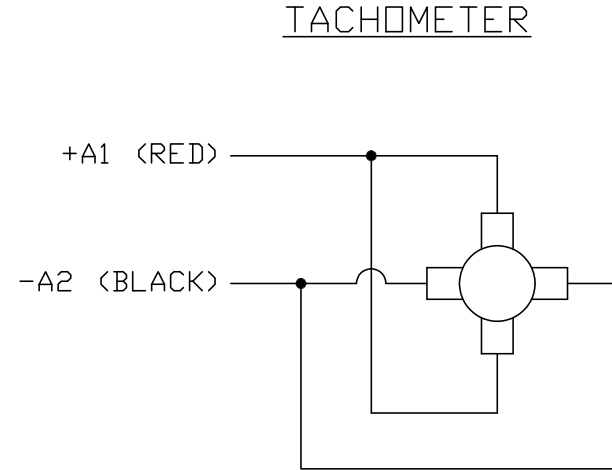
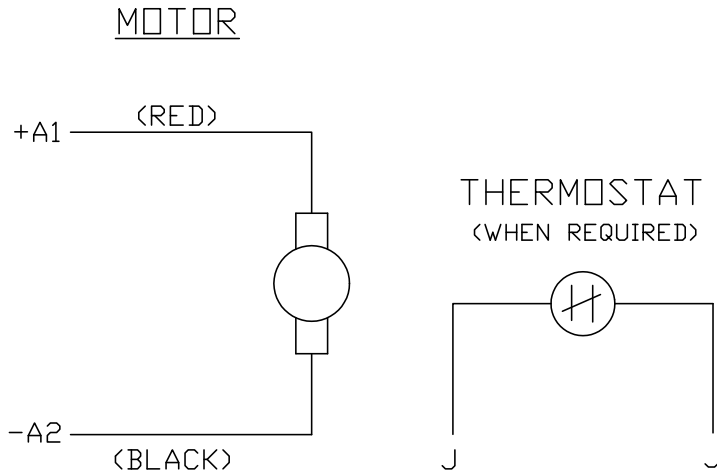
Typical performance - not guaranteed values.

ENCL: TEFC DUTY: CONT CL: F





CD0194



NOTES:

1. CCW ROTATION AS SHOWN FACING COMMUTATOR END. TO REVERSE MOTOR ROTATION OR TACHOMETER OUTPUT POLARITY INTERCHANGE LEADS A1(RED) & A2(BLACK)
2. LEAD COLORS FOR REFERENCE ONLY & NOT SPECIFIED BY THIS DRAWING. LEAD COLORS SPECIFIED BY LAYOUT DRAWING & BILL OF MATERIAL ONLY.

MATL: -			
REV: E	ADDED NOTE "LEAD COLORS FOR REFERENCE ONLY &..."		
CD0194	SCALE: -	BY: CK	REVISED: 07/28/95
	FILE: AAA00004503	TDR: 0078737	

**BALDOR ELECTRIC Co.**

CD TYPE P DC PERMANENT MAGNET MOTORS AND TACHOMETERS

CD0194