

BALDOR® • RELIANCE®

Customer information packet

CDPT3320

.33HP, 1750RPM, DC, 56C, 3327P, TENV, F1, N

Specifications

Armature Voltage	90 V
Base Speed	1750 rpm
Enclosure	TENV
Frame	56C
Frame Material	Steel
Output Power	0.330 HP
Agency Approvals	CE CSA UR WEEE
Ambient Temperature	40 °C
Armature Current	3.2 a
Armature Inertia	10.535 lb-ft ²
Base Indicator	Rigid
Bearing Grease Type	Polyrex EM (-20F +300F)
Drip Cover	No Drip Cover
Duty Rating	CONT
Feedback Device	TACHOMETER
Heater Indicator	No Heater
Insulation Class	F
Lifting Lugs	No Lifting Lugs
Motor Lead Quantity/Wire Size	2 @ 18 AWG
Motor Lead Termination	Flying Leads
Motor Standards	NEMA
Mounting Arrangement	F1
Overall Length	14.99 IN
Product Family	General Purpose
Pulley End Bearing Type	Sealed Bearing
RoHS Status	ROHS COMPLIANT
Service Factor	1.00
Shaft Diameter	0.625 IN
Shaft Ground Indicator	No Shaft Grounding

Part detail

Revision	F
Type	DC
Mech. spec.	33-2657
Base	
Status	PRD/A
Elec. spec.	33WGZ102
Layout	33LY2657
Eff. date	06-05-2024
CD Diagram	CD0194
Poles	00
Leads	
Proprietary	False
Created date	06-19-2019

Shaft Rotation

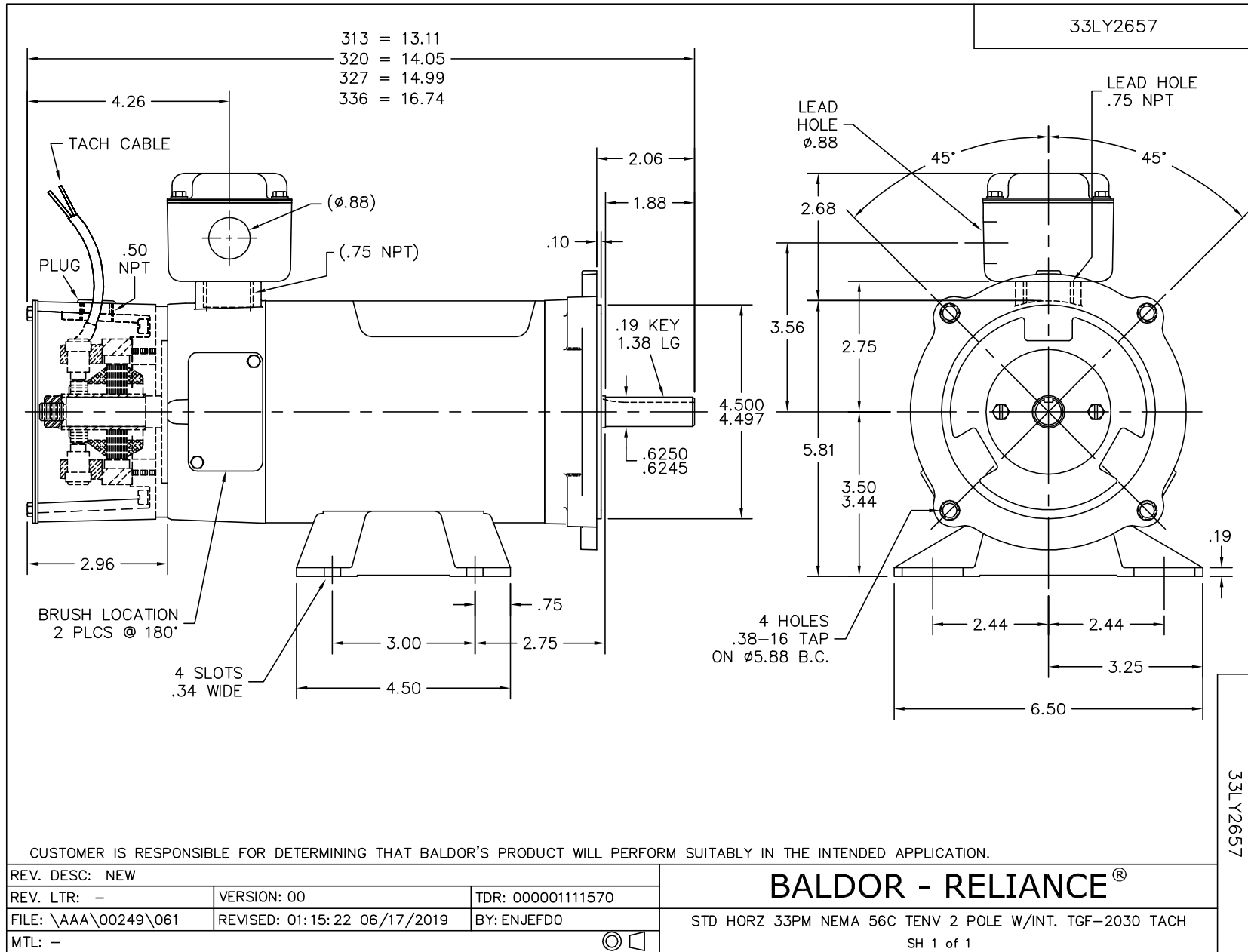
Reversible

Shaft Slinger Indicator

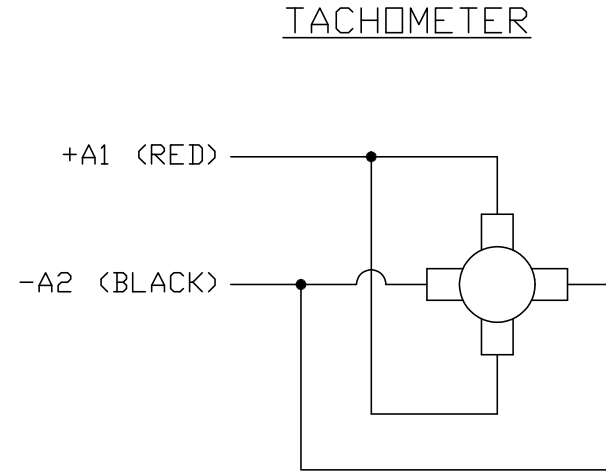
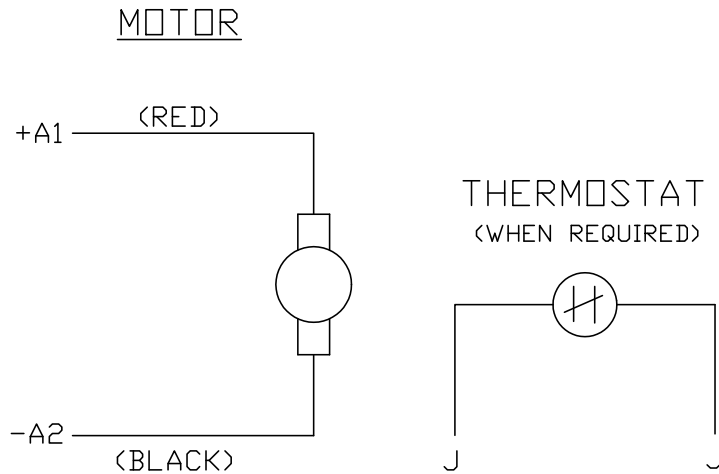
No Slinger

Nameplate

NP0891L					
CAT.NO.	CDPT3320				
SPEC.	33-2657Z102				
HP	.33/KW.25	ENCL	TENV		
RPM	1750 1/MIN				
FRAME	56C	TYPE	3327P		
ARM V	90	ARM A	3.2		
FLD V		FLD A			
INSUL	F	AMB.	40		
DUTY	CONT	SUPPLY	1.3		
BRG/DE	6203	BRG/ODE	6203		
BRUSHES	2/BP5011T01				
	IP44	BLANK	KG13		
SER.					
BLANK	IC410				
APRV-CE	Y	APRV-CSA	Y	APRV-UL	Y



CD0194



NOTES:

1. CCW ROTATION AS SHOWN FACING COMMUTATOR END. TO REVERSE MOTOR ROTATION OR TACHOMETER OUTPUT POLARITY INTERCHANGE LEADS A1(RED) & A2(BLACK)
2. LEAD COLORS FOR REFERENCE ONLY & NOT SPECIFIED BY THIS DRAWING. LEAD COLORS SPECIFIED BY LAYOUT DRAWING & BILL OF MATERIAL ONLY.

MATL: -			
REV: E	ADDED NOTE "LEAD COLORS FOR REFERENCE ONLY &..."		
CD0194	SCALE: -	BY: CK	REVISED: 07/28/95
	FILE: AAA00004503	TDR: 0078737	

BALDOR ELECTRIC Co.

CD TYPE P DC PERMANENT MAGNET MOTORS AND TACHOMETERS

CD0194