

ABB BALDOR RELIANCE III

Customer information packet

CDPSWD3406

.25HP, 1750RPM, DC, 56C, 3413P, TEFC, F1

Class - None

Division -

Specifications

Armature Voltage	180 V
Base Speed	1750 rpm
Enclosure	TEFC
Frame	56C
Frame Material	Stainless Steel
Haz Area Class and Group	None
Output Power	0.250 HP
Agency Approvals	CSA UR
Ambient Temperature	40 °C
Armature Current	1.3 a
Armature Inertia	5.073 lb-ft ²
Base Indicator	Rigid
Bearing Grease Type	Polyrex EM (-20F +300F)
Drip Cover	No Drip Cover
Duty Rating	CONT
Feedback Device	NO FEEDBACK
Heater Indicator	No Heater
Lifting Lugs	No Lifting Lugs
Motor Lead Exit	Ko Box
Motor Lead Quantity/Wire Size	2 @ 14 AWG
Motor Lead Termination	Flying Leads
Motor Standards	NEMA
Mounting Arrangement	F1
Overall Length	12.16 IN
Product Family	Wash Down Paint Free
Pulley End Bearing Type	Sealed Bearing
RoHS Status	ROHS COMPLIANT
Service Factor	1.00
Shaft Diameter	0.625 IN
Shaft Extension Location	Pulley End
Shaft Ground Indicator	No Shaft Grounding

Part Detail

Revision	AG
Type	DC
Mech. spec.	34-6694
Base	
Status	PRD/A
Elec. spec.	34WG4397
Layout	34LY6694
Eff. date	04-13-2023
CD Diagram	CD0194
Poles	00
Leads	
Proprietary	False
Created date	01-01-0001

Shaft Rotation

Reversible

Shaft Slinger Indicator

Shaft Slinger

Nameplate

NP1502			
CAT.NO.	CDPSWD3406		
SPEC.	34-6694-4397G1		
HP	.25	ENCL	TEFC
RPM	1750		
FRAME	56C	TYPE	3413P
ARM V	180	ARM A	1.3
FLD V		FLD A	
INSUL	F	AMB.	40
DUTY	CONT	SUPPLY	1.5
BRG/DE	6203	BRG/ODE	6203
BRUSHES	2/BP5000AW14		
	BLANK		
SER.			
BLANK			
APRV-CSA		APRV-UL	

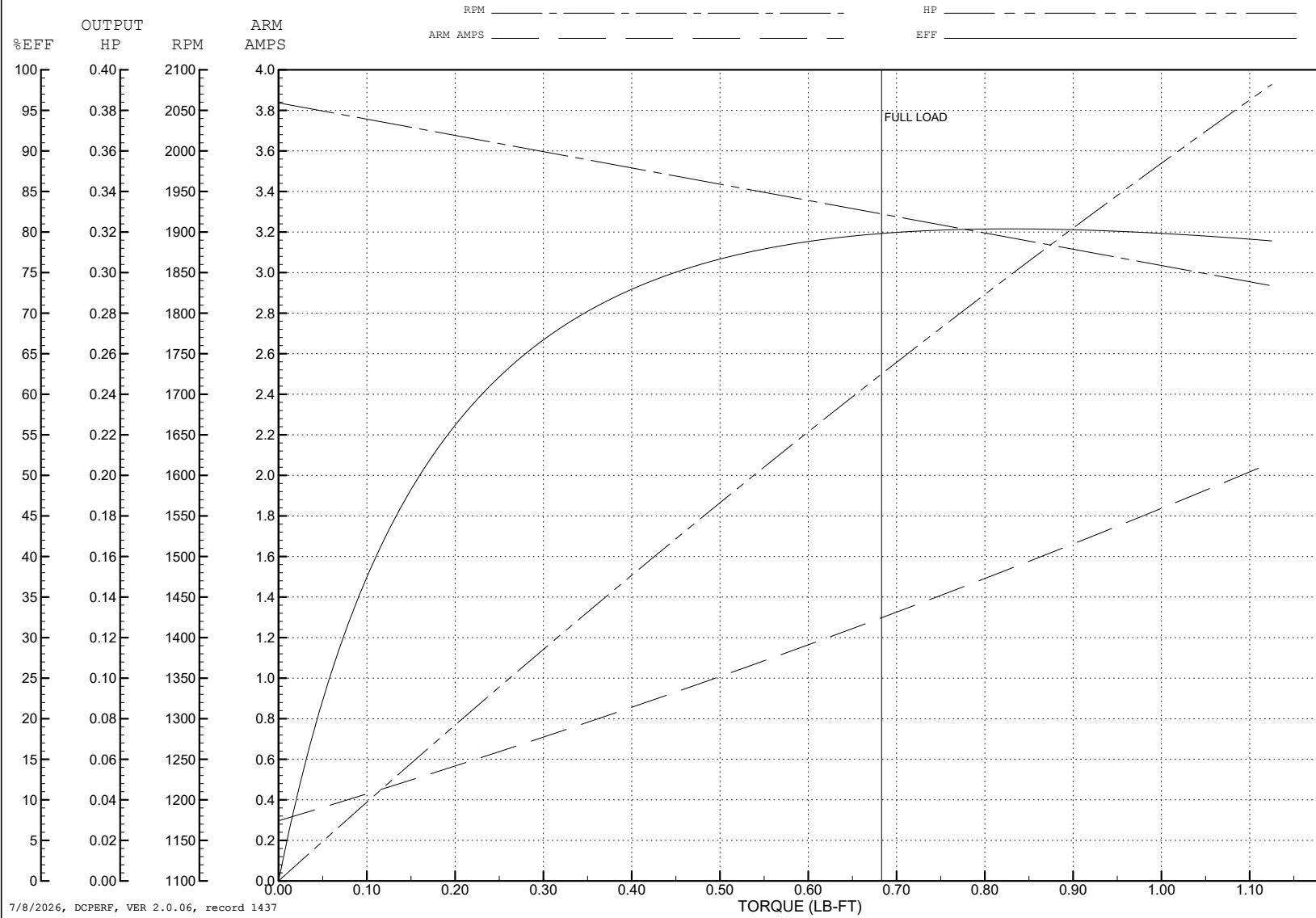
ABB Motors and Mechanical Inc.

WINDING # 34WG4397

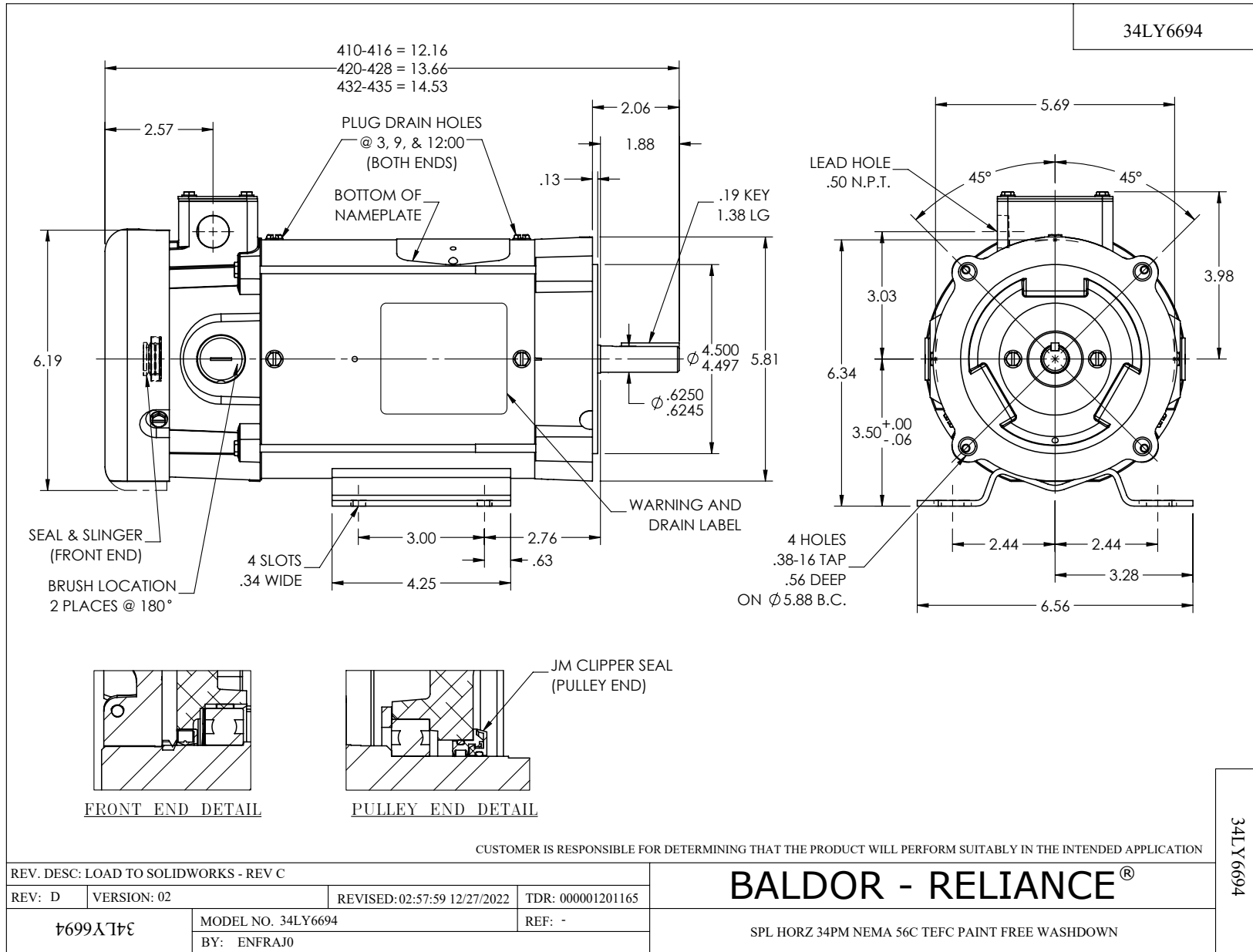
0.25 HP DC 1750 RPM 180 V 3413P

Typical performance - not guaranteed values.

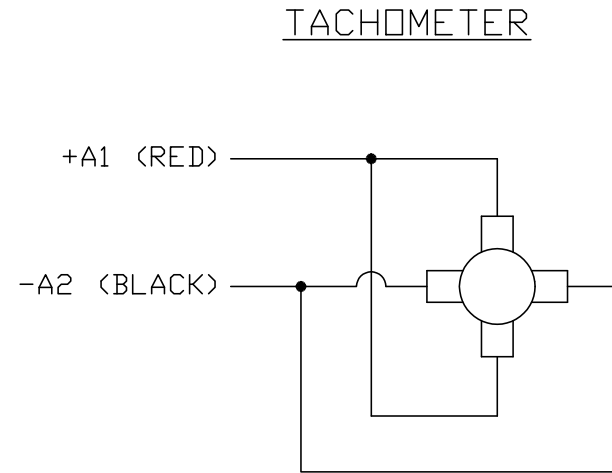
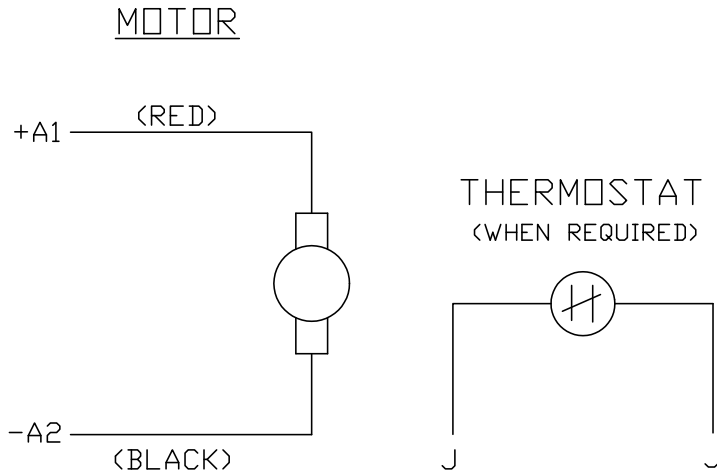
ENCL: TEFC DUTY: CONT CL: F



7/8/2026, DCPERF, VER 2.0.06, record 1437



CD0194



NOTES:

1. CCW ROTATION AS SHOWN FACING COMMUTATOR END. TO REVERSE MOTOR ROTATION OR TACHOMETER OUTPUT POLARITY INTERCHANGE LEADS A1(RED) & A2(BLACK)
2. LEAD COLORS FOR REFERENCE ONLY & NOT SPECIFIED BY THIS DRAWING. LEAD COLORS SPECIFIED BY LAYOUT DRAWING & BILL OF MATERIAL ONLY.

MATL: -			
REV: E	ADDED NOTE "LEAD COLORS FOR REFERENCE ONLY &..."		
CD0194	SCALE: -	BY: CK	REVISED: 07/28/95
	FILE: AAA00004503	TDR: 0078737	

BALDOR ELECTRIC Co.

CD TYPE P DC PERMANENT MAGNET MOTORS AND TACHOMETERS

CD0194