

ABB BALDOR RELIANCE III

Customer information packet CDP3604

3HP, 1750RPM, DC, 184C, 3649P, TEFC, F1

Class - None

Division -

Specifications

Armature Voltage	180 V
Base Speed	1750 rpm
Enclosure	TEFC
Frame	184C
Frame Material	Steel
Haz Area Class and Group	None
Output Power	3.000 HP
Agency Approvals	CE CSA UR
Ambient Temperature	40 °C
Armature Current	14.0 a
Armature Inertia	107.110 lb-ft ²
Base Indicator	Rigid
Bearing Grease Type	Polyrex EM (-20F +300F)
Drip Cover	No Drip Cover
Duty Rating	CONT
Feedback Device	NO FEEDBACK
Heater Indicator	No Heater
Lifting Lugs	Standard Lifting Lugs
Motor Lead Exit	Ko Box
Motor Lead Quantity/Wire Size	2 @ 12 AWG
Motor Lead Termination	Flying Leads
Motor Standards	NEMA
Mounting Arrangement	F1
Overall Length	22.69 IN
Product Family	General Purpose
Pulley End Bearing Type	Sealed Bearing
Service Factor	1.00
Shaft Diameter	0.875 IN
Shaft Extension Location	Pulley End
Shaft Ground Indicator	No Shaft Grounding

Part Detail

Revision	AE
Type	DC
Mech. spec.	36P183
Base	
Status	PRD/A
Elec. spec.	36WGZ507
Layout	36LYP183
Eff. date	03-19-2026
CD Diagram	CD0194
Poles	00
Leads	
Proprietary	False
Created date	01-01-0001

Shaft Rotation

Reversible

Shaft Slinger Indicator

No Slinger

Nameplate

NP0891L			
CAT.NO.	CDP3604		
SPEC.	36P183Z507		
HP	3/2.2KW	ENCL	TEFC
RPM	1750 1/MIN 55KG IC411		
FRAME	184C	TYPE	3649P
ARM V	180	ARM A	14
FLD V		FLD A	
INSUL	F	AMB.	40
DUTY	CONT	SUPPLY	K
BRG/DE	6206	BRG/ODE	6206
BRUSHES	2/BP5031A01		
		BLANK	IP44
SER.			
BLANK			
APRV-CE	Y	APRV-CSA	Y
		APRV-UL	Y

Accessories

Part number	Description	Multiplier
TK3600PM	TACHO MOUNTING KIT FOR TK3600PM	A8

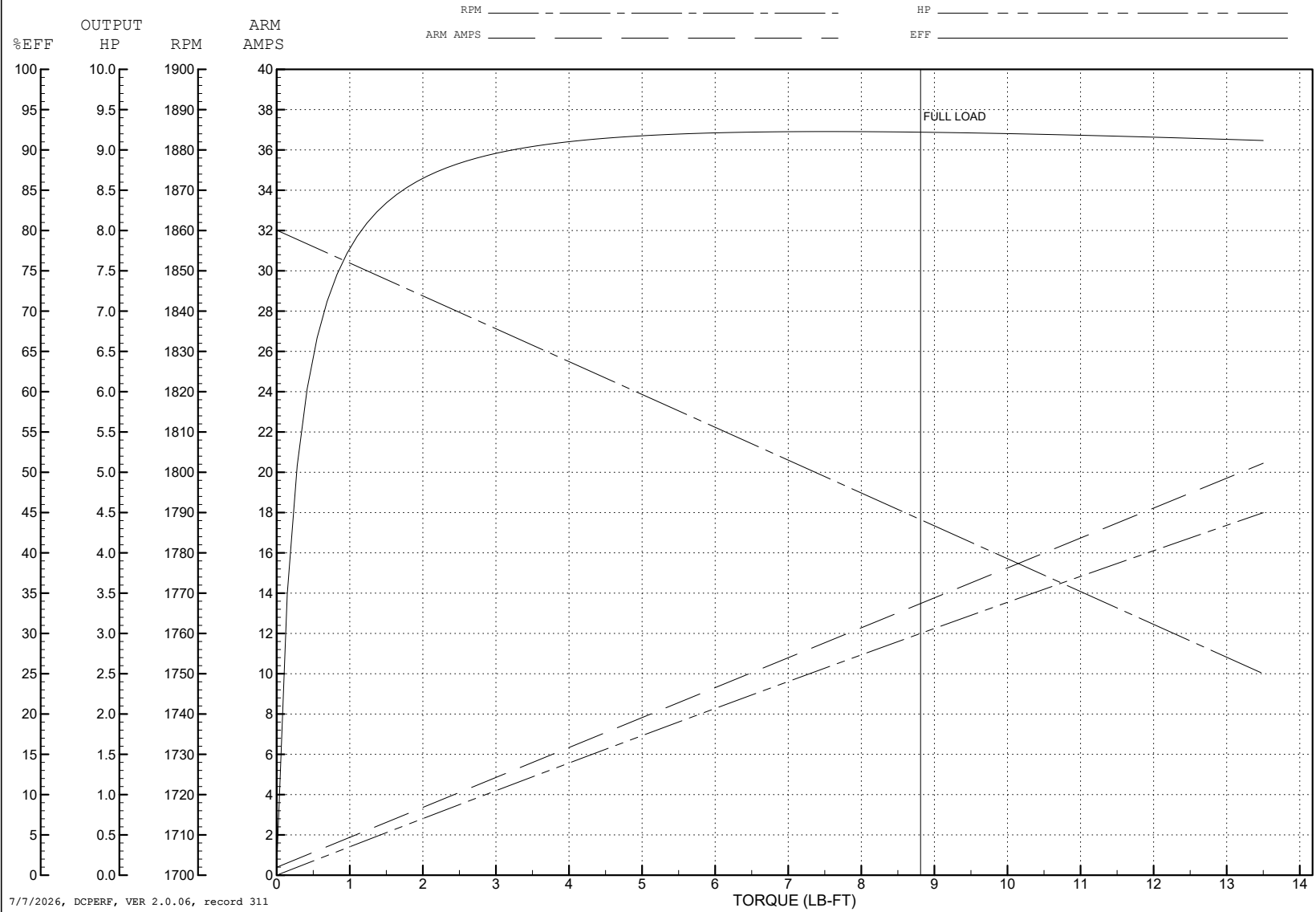
ABB Motors and Mechanical Inc.

WINDING # 36WGZ507

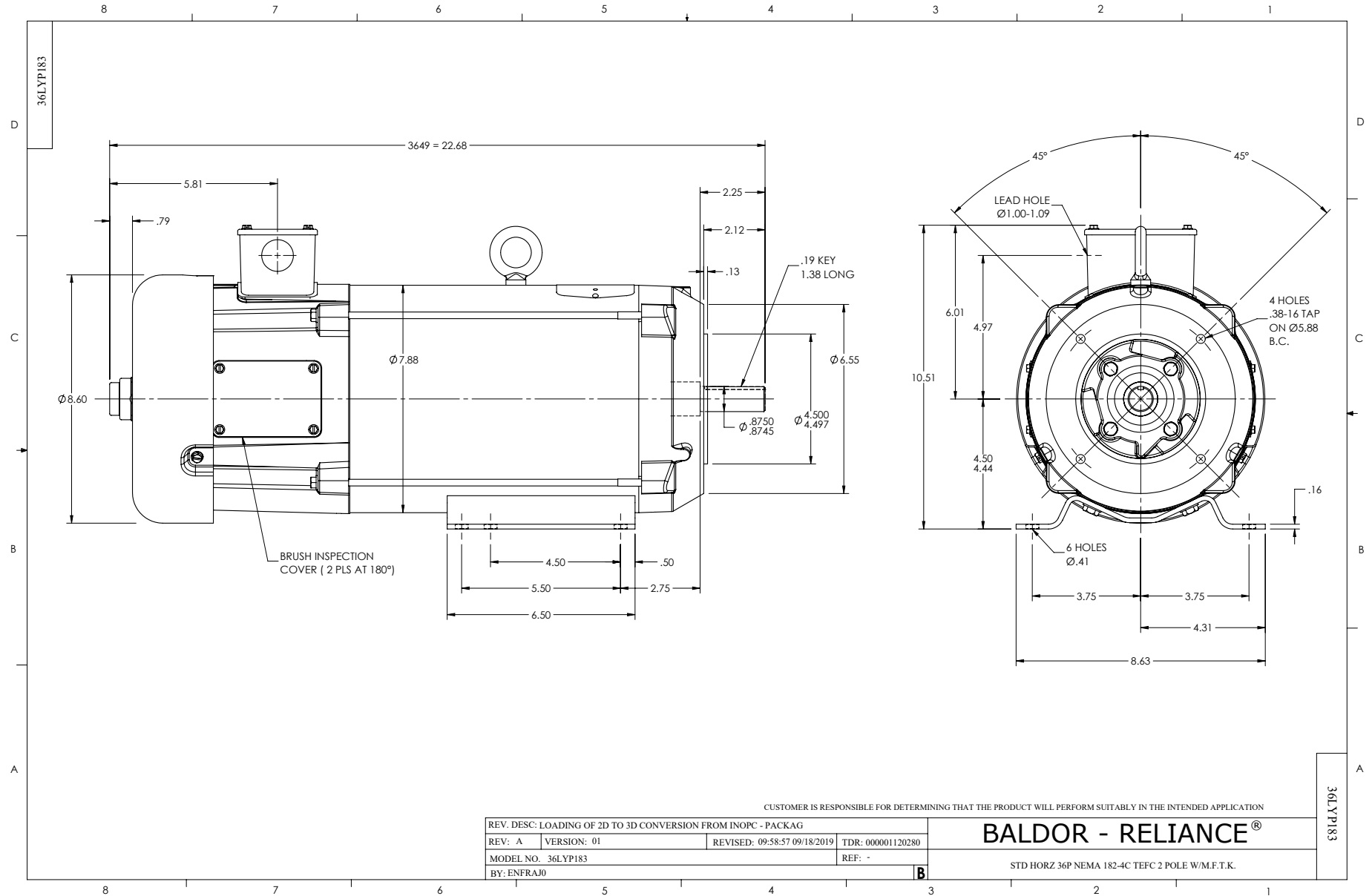
3 HP DC 1750 RPM 180 V 3649P

Typical performance - not guaranteed values.

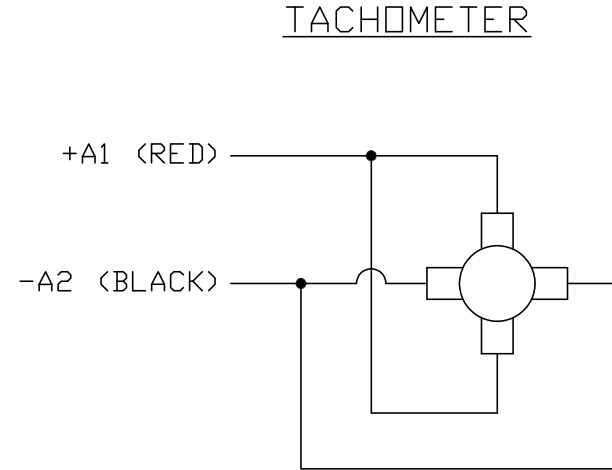
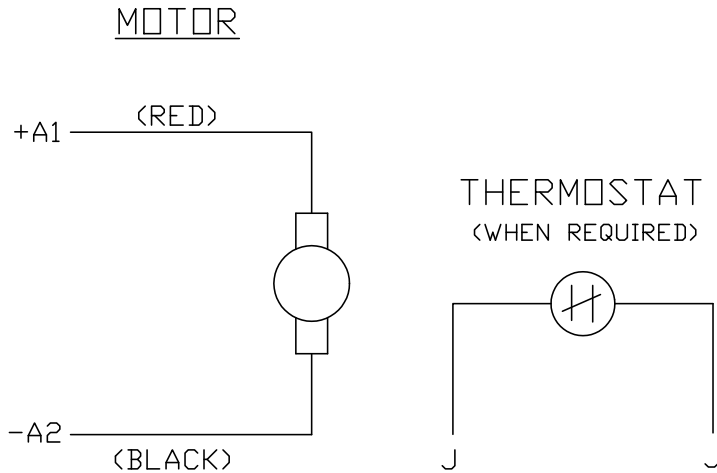
ENCL: TEFC DUTY: CONT CL: F



7/7/2026, DCPERF, VER 2.0.06, record 311



CD0194



NOTES:

1. CCW ROTATION AS SHOWN FACING COMMUTATOR END. TO REVERSE MOTOR ROTATION OR TACHOMETER OUTPUT POLARITY INTERCHANGE LEADS A1(RED) & A2(BLACK)
2. LEAD COLORS FOR REFERENCE ONLY & NOT SPECIFIED BY THIS DRAWING. LEAD COLORS SPECIFIED BY LAYOUT DRAWING & BILL OF MATERIAL ONLY.

MATL: -			
REV: E	ADDED NOTE "LEAD COLORS FOR REFERENCE ONLY &..."		
CD0194	SCALE: -	BY: CK	REVISED: 07/28/95
	FILE: AAA00004503	TDR: 0078737	

BALDOR ELECTRIC Co.

CD TYPE P DC PERMANENT MAGNET MOTORS AND TACHOMETERS

CD0194