

BALDOR® • RELIANCE™

Customer information packet

CDP3590

2HP, 2500RPM, DC, 145TC, 3536P, TEFC, F1

Class - None

Division -

Copyright © All product information within this document is subject to ABB Motors and Mechanical Inc. copyright © protection, unless otherwise noted.

10/5/2024 12:38:30 AM

Specifications

Armature Voltage	180 V
Base Speed	2400 rpm
Enclosure	TEFC
Frame	145TC
Frame Material	Steel
Haz Area Class and Group	None
Output Power	2.000 HP
Agency Approvals	CE CSA UR
Ambient Temperature	40 °C
Armature Current	10.0 a
Armature Inertia	30.342 lb-ft ²
Base Indicator	Rigid
Bearing Grease Type	Polyrex EM (-20F +300F)
Drip Cover	No Drip Cover
Duty Rating	CONT
Feedback Device	NO FEEDBACK
Heater Indicator	No Heater
Lifting Lugs	No Lifting Lugs
Motor Lead Exit	Ko Box
Motor Lead Quantity/Wire Size	2 @ 14 AWG, A
Motor Lead Termination	Flying Leads
Motor Standards	NEMA
Mounting Arrangement	F1
Overall Length	16.37 IN
Product Family	General Purpose
Pulley End Bearing Type	Sealed Bearing
RoHS Status	ROHS COMPLIANT
Service Factor	1.00
Shaft Diameter	0.875 IN
Shaft Extension Location	Pulley End

Part detail

Revision	AC
Type	DC
Mech. spec.	35P432
Base	
Status	PRD/A
Elec. spec.	35WGZ182
Layout	35LYP432
Eff. date	06-05-2024
CD Diagram	CD0194
Poles	00
Leads	2#14 A Y
Proprietary	False
Created date	01-01-0001

Shaft Ground Indicator	No Shaft Grounding
Shaft Rotation	Reversible
Shaft Slinger Indicator	No Slinger

Nameplate

NP0891L					
CAT.NO.	CDP3590				
SPEC.	35P432Z182				
HP	2	ENCL	TEFC		
RPM	2500				
FRAME	145TC	TYPE	3536P		
ARM V	180	ARM A	10		
FLD V		FLD A			
INSUL	F	AMB.	40		
DUTY	CONT	SUPPLY	K		
BRG/DE	6205	BRG/ODE	6205		
BRUSHES	2/BP5000T15				
		BLANK	IP44		
SER.					
BLANK	1.5KW 1/MIN IC411 29KG				
APRV-CE	Y	APRV-CSA	Y	APRV-UL	Y

Accessories

Part number	Description	Multiplier
TK3500	TACHO MOUNTING KIT TK3500	A8

DC Motor Performance Data

Record # 387

Typical performance - not guaranteed values

Winding: 35WGZ182-R001		Type: 3536P	Enclosure: TEFC	
Nameplate Data		General Characteristics		
Rated Output (HP)	2	Armature Resistance @ 25°C	0.494 Ω	
R.P.M.	2400	Voltage Constant	68.3 v/krpm	
Armature Volts	180	Armature Inductance	6.797 mH	
Armature Amps	10	Armature Inertia	30.3419 LI ²	
Field Volts				
Field Amps				
Rating - Duty	40C AMB-CONT			
Power Supply Code	K			

Load Characteristics at 180 Armature Volts

Load Point	1	2	3	4	5	6	7
Armature Amps	0.7	5.5	8	10.2	12.5	14.7	19.6
R.P.M.	2514	2499	2483	2448	2416	2387	2335
Torque (LB-FT)	0	2.25	3.375	4.375	5.5	6.625	8.75

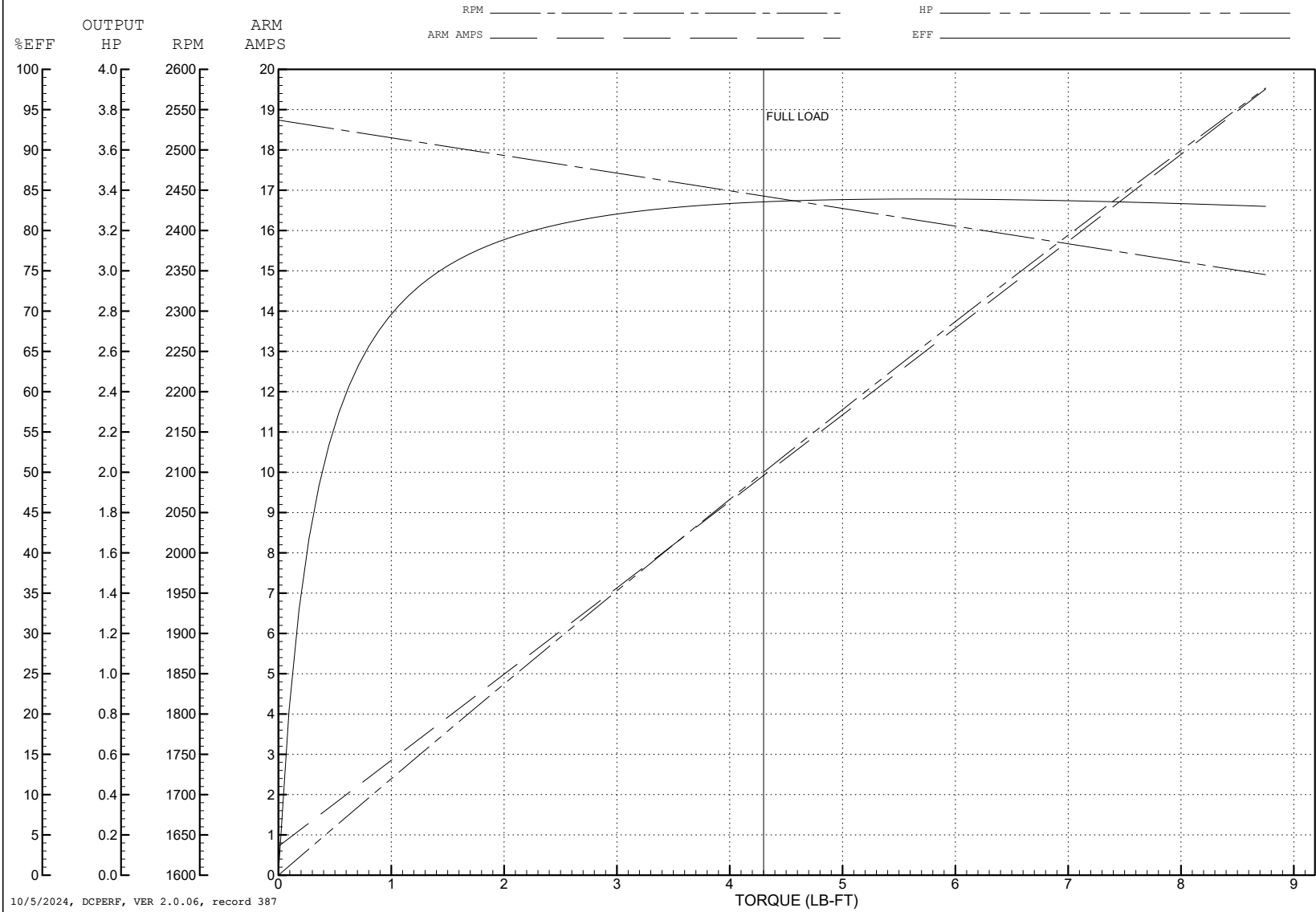
ABB Motors and Mechanical Inc.

WINDING # 35WGZ182

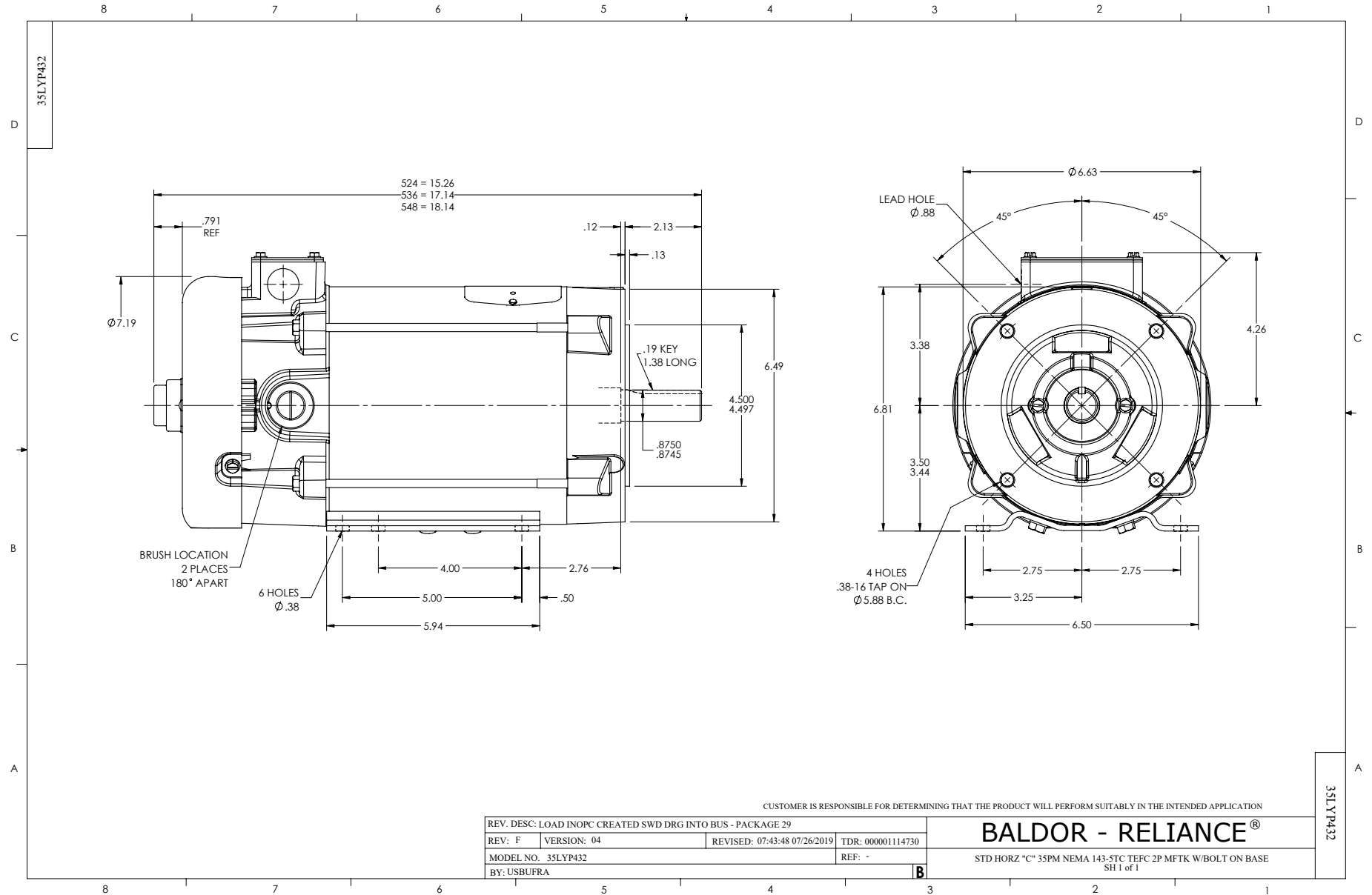
2 HP DC 2400 RPM 180 V 3536P

Typical performance - not guaranteed values.

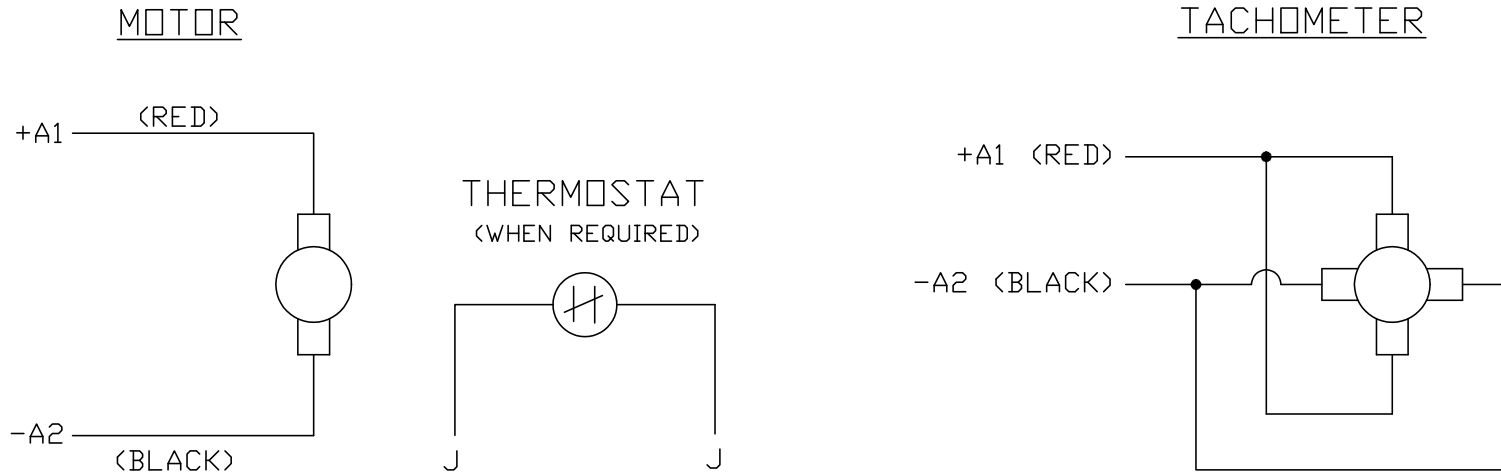
ENCL: TEFC DUTY: CONT CL: F



10/5/2024, DCPERF, VER 2.0.06, record 387



CD0194



NOTES:

1. CCW ROTATION AS SHOWN FACING COMMUTATOR END. TO REVERSE MOTOR ROTATION OR TACHOMETER OUTPUT POLARITY INTERCHANGE LEADS A1(RED) & A2(BLACK)
2. LEAD COLORS FOR REFERENCE ONLY & NOT SPECIFIED BY THIS DRAWING. LEAD COLORS SPECIFIED BY LAYOUT DRAWING & BILL OF MATERIAL ONLY.

MATL: -			
REV: E	ADDED NOTE "LEAD COLORS FOR REFERENCE ONLY &...		
761000	SCALE: -	BY: CK	REVISED: 07/28/95
	FILE: AAA00004503	TDR: 0078737	

BALDOR ELECTRIC Co.

CD TYPE P DC PERMANENT MAGNET MOTORS AND TACHOMETERS

CD0194