

BALDOR® • RELIANCE™

Customer information packet

CDP3443

.75HP, 2500RPM, DC, 56C, 3420P, TEFC, F1

Class - None

Division -

Copyright © All product information within this document is subject to ABB Motors and Mechanical Inc. copyright © protection, unless otherwise noted.

4/1/2023 1:54:32 AM

Specifications

Armature Voltage	90 V
Base Speed	2400 rpm
Enclosure	TEFC
Frame	56C
Frame Material	Steel
Output Power	0.750 HP
XP Class and Group	None
Agency Approvals	CE CSA UR
Ambient Temperature	40 °C
Armature Current	7.5 a
Armature Inertia	7.804 lb-ft ²
Base Indicator	Rigid
Bearing Grease Type	Polyrex EM (-20F +300F)
Drip Cover	No Drip Cover
Duty Rating	CONT
Feedback Device	NO FEEDBACK
Heater Indicator	No Heater
Lifting Lugs	No Lifting Lugs
Motor Lead Exit	Ko Box
Motor Lead Quantity/Wire Size	2 @ 14 AWG, A
Motor Lead Termination	Flying Leads
Motor Standards	NEMA
Mounting Arrangement	F1
Overall Length	14.59 IN
Product Family	General Purpose
Pulley End Bearing Type	Sealed Bearing
Service Factor	1.00
Shaft Diameter	0.625 IN
Shaft Extension Location	Pulley End
Shaft Ground Indicator	No Shaft Grounding

Part detail

Revision	AA
Type	DC
Mech. spec.	34-5990
Base	
Status	PRD/A
Elec. spec.	34WG4542
Layout	34LY5990
Eff. date	03-24-2022
CD Diagram	CD0194
Poles	00
Leads	2#14 A Y
Proprietary	False
Created date	01-01-0001

Shaft Rotation

Reversible

Shaft Slinger Indicator

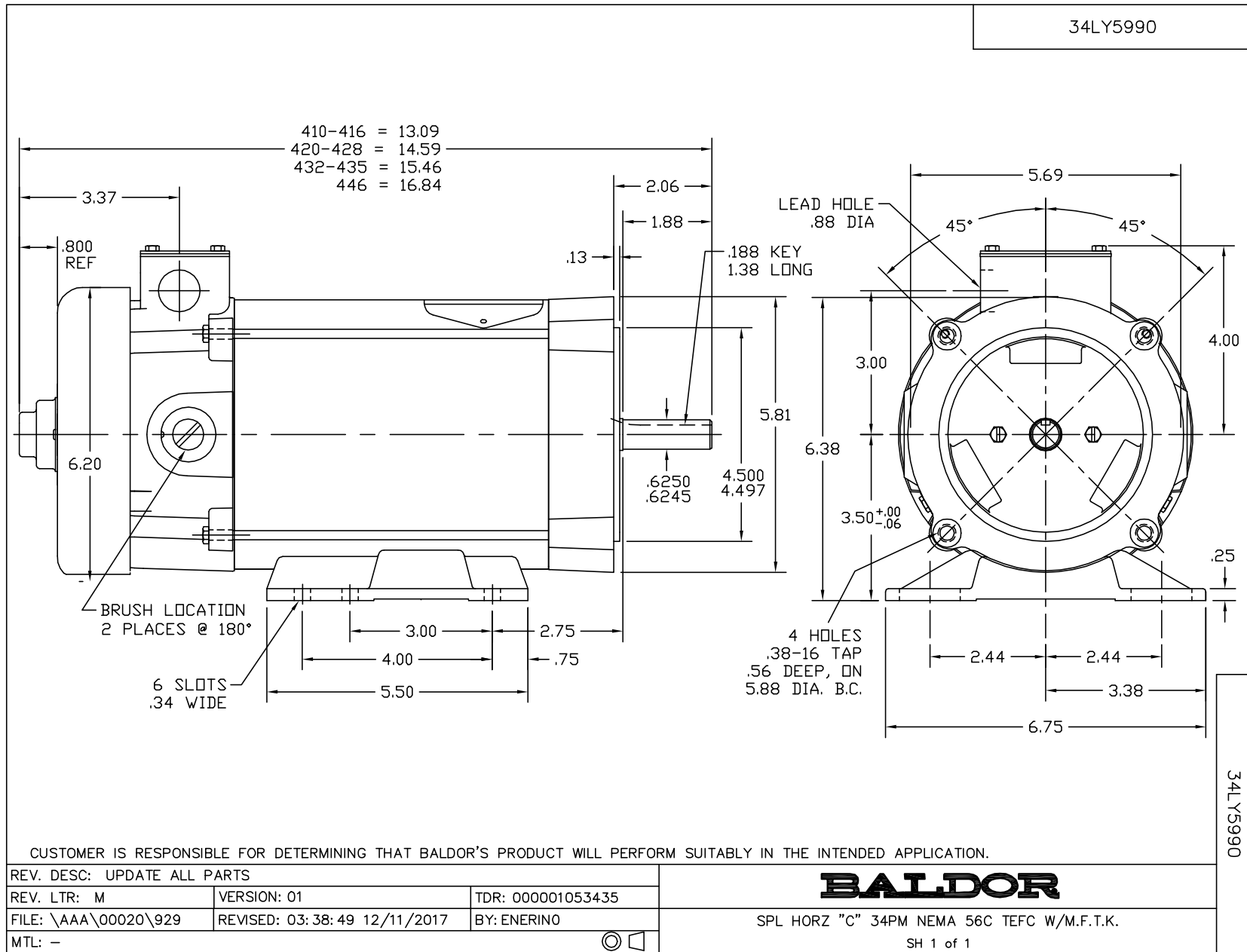
No Slinger

Nameplate

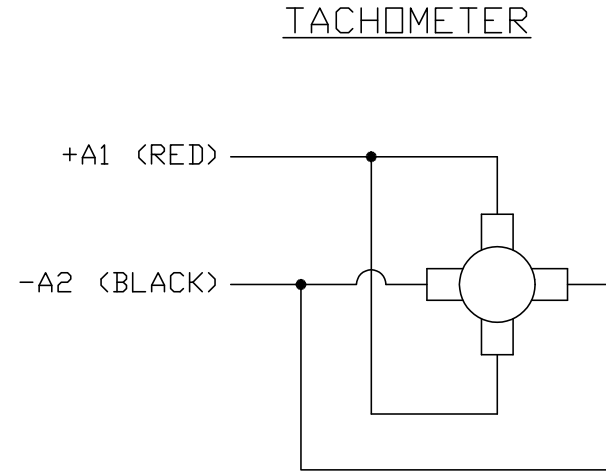
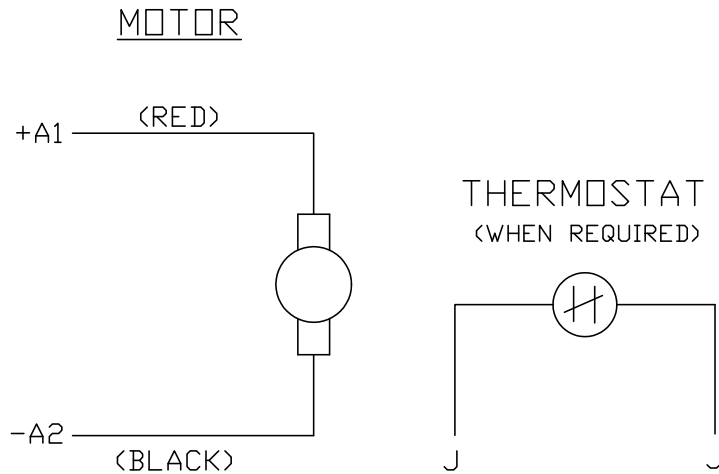
NP0891L					
CAT.NO.	CDP3443				
SPEC.	34-5990-4542				
HP	.75/.56KW	ENCL	TEFC		
RPM	2500 1/MIN IC411 16KG				
FRAME	56C	TYPE	3420P		
ARM V	90	ARM A	7.5		
FLD V		FLD A			
INSUL	F	AMB.	40		
DUTY	CONT	SUPPLY	1.5		
BRG/DE	6203	BRG/ODE	6203		
BRUSHES	2/BP5000BK08				
		BLANK	IP44		
SER.					
BLANK					
APRV-CE	Y	APRV-CSA	Y	APRV-UL	Y

Accessories

Part number	Description	Multiplier
TK3400	TACHO MOUNTING KIT FOR TK3400	A8
TK3400-HPU	HPU10 MOUNTING KIT 34P/35P TEFC	



CD0194



NOTES:

1. CCW ROTATION AS SHOWN FACING COMMUTATOR END. TO REVERSE MOTOR ROTATION OR TACHOMETER OUTPUT POLARITY INTERCHANGE LEADS A1(RED) & A2(BLACK)
2. LEAD COLORS FOR REFERENCE ONLY & NOT SPECIFIED BY THIS DRAWING. LEAD COLORS SPECIFIED BY LAYOUT DRAWING & BILL OF MATERIAL ONLY.

MATL: -			
REV: E	ADDED NOTE "LEAD COLORS FOR REFERENCE ONLY &..."		
CD0194	SCALE: -	BY: CK	REVISED: 07/28/95
	FILE: AAA00004503	TDR: 0078737	

BALDOR ELECTRIC Co.

CD TYPE P DC PERMANENT MAGNET MOTORS AND TACHOMETERS

CD0194