

BALDOR® • RELIANCE™

Customer information packet

CDP3440

.75HP, 1750RPM, DC, 56C, 3428P, TEFC, F1, N

Class - None

Division -

Copyright © All product information within this document is subject to ABB Motors and Mechanical Inc. copyright © protection, unless otherwise noted.

10/5/2024 1:17:08 AM

Specifications

Armature Voltage	90 V
Base Speed	1750 rpm
Enclosure	TEFC
Frame	56C
Frame Material	Steel
Haz Area Class and Group	None
Output Power	0.750 HP
Agency Approvals	CE CSA UR
Ambient Temperature	40 °C
Armature Current	7.6 a
Armature Inertia	10.926 lb-ft ²
Base Indicator	Rigid
Bearing Grease Type	Polyrex EM (-20F +300F)
Drip Cover	No Drip Cover
Duty Rating	CONT
Feedback Device	NO FEEDBACK
Heater Indicator	No Heater
Lifting Lugs	No Lifting Lugs
Motor Lead Exit	Ko Box
Motor Lead Quantity/Wire Size	2 @ 14 AWG
Motor Lead Termination	Flying Leads
Motor Standards	NEMA
Mounting Arrangement	F1
Overall Length	14.59 IN
Product Family	General Purpose
Pulley End Bearing Type	Sealed Bearing
Service Factor	1.00
Shaft Diameter	0.625 IN
Shaft Extension Location	Pulley End
Shaft Ground Indicator	No Shaft Grounding

Part detail

Revision	AM
Type	DC
Mech. spec.	34-5990
Base	
Status	PRD/A
Elec. spec.	34WG3662
Layout	34LY5990
Eff. date	09-30-2024
CD Diagram	CD0194
Poles	00
Leads	
Proprietary	False
Created date	01-01-0001

Shaft Rotation

Reversible

Shaft Slinger Indicator

No Slinger

Nameplate

NP0891L					
CAT.NO.	CDP3440				
SPEC.	34-5990-3662				
HP	.75/.56KW	ENCL	TEFC		
RPM	1750 1/MIN				
FRAME	56C	TYPE	3428P		
ARM V	90	ARM A	7.6		
FLD V		FLD A			
INSUL	F	AMB.	40		
DUTY	S1 CONT	SUPPLY	1.5		
BRG/DE	6203	BRG/ODE	6203		
BRUSHES	2/BP5000BK08				
		BLANK			
SER.					
BLANK	IP44 IC411 17KG				
APRV-CE	Y	APRV-CSA	Y	APRV-UL	Y

Accessories

Part number	Description	Multiplier
TK3400	TACHO MOUNTING KIT FOR TK3400	A8
TK3400-HPU	HPU10 MOUNTING KIT 34P/35P TEFC	

DC Motor Performance Data

Record # 2650

Typical performance - not guaranteed values

Winding: 34WG3662-R001		Type: 3428P		Enclosure: TEFC	
Nameplate Data			General Characteristics		
Rated Output (HP)	0.75	Armature Resistance @ 25°C	0.7344 Ω		
R.P.M.	1750	Voltage Constant	45.88 v/krpm		
Armature Volts	90	Armature Inductance	6.683 mH		
Armature Amps	7.6	Armature Inertia	10.9256 LI ²		
Field Volts					
Field Amps					
Rating - Duty	40C AMB-CONT				
Form Factor	1.5				

Load Characteristics at 90 Armature Volts

Load Point	1	2	3	4	5	6	7
Armature Amps	0.9	2.15	4.52	5.83	7.69	9.6	11.13
R.P.M.	1933	1889	1851	1825	1798	1759	1720
Torque (LB-FT)	0	0.56	1.12	1.68	2.25	2.81	3.38

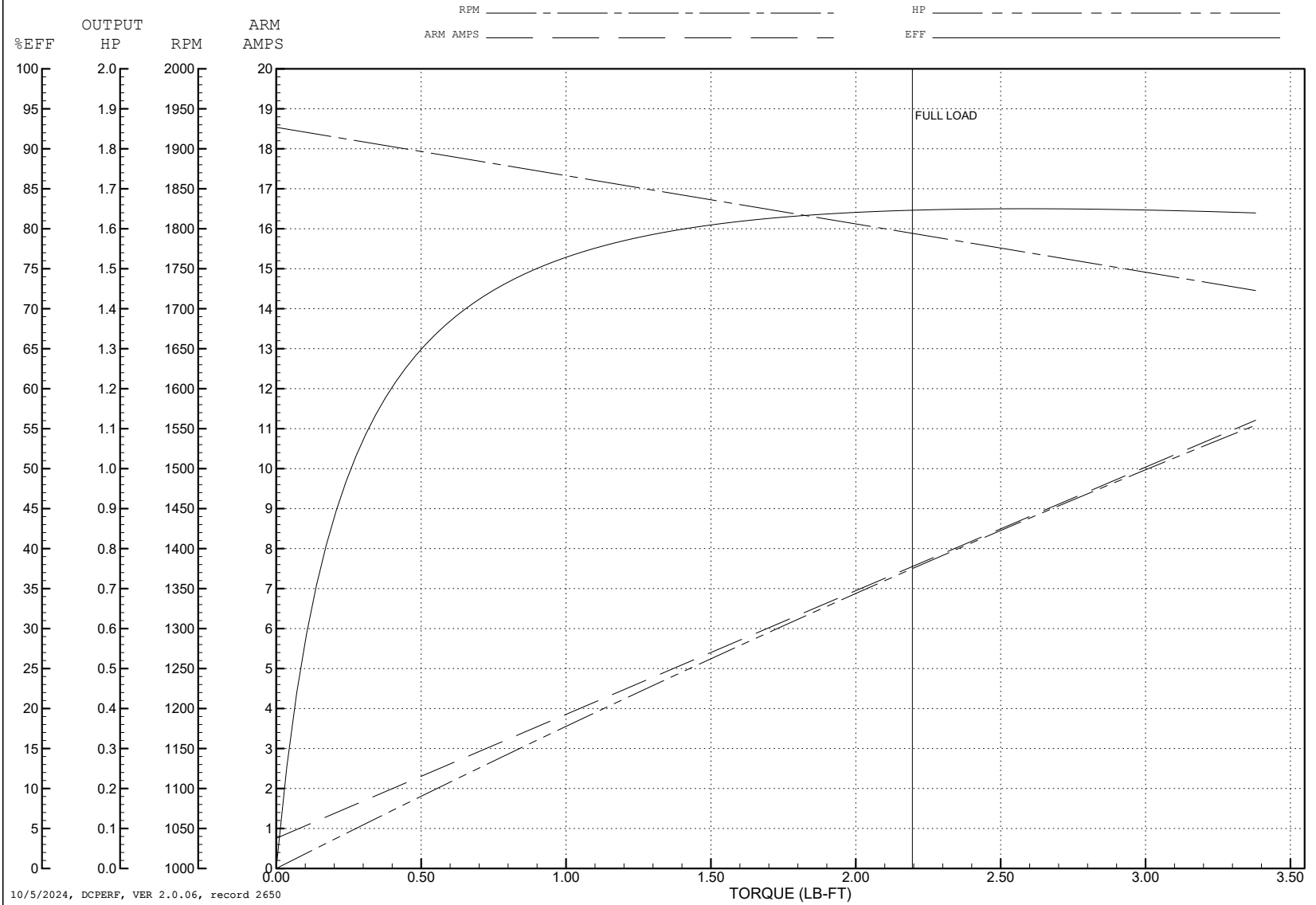
ABB Motors and Mechanical Inc.

WINDING # 34WG3662

0.75 HP DC 1750 RPM 90 V 3428P

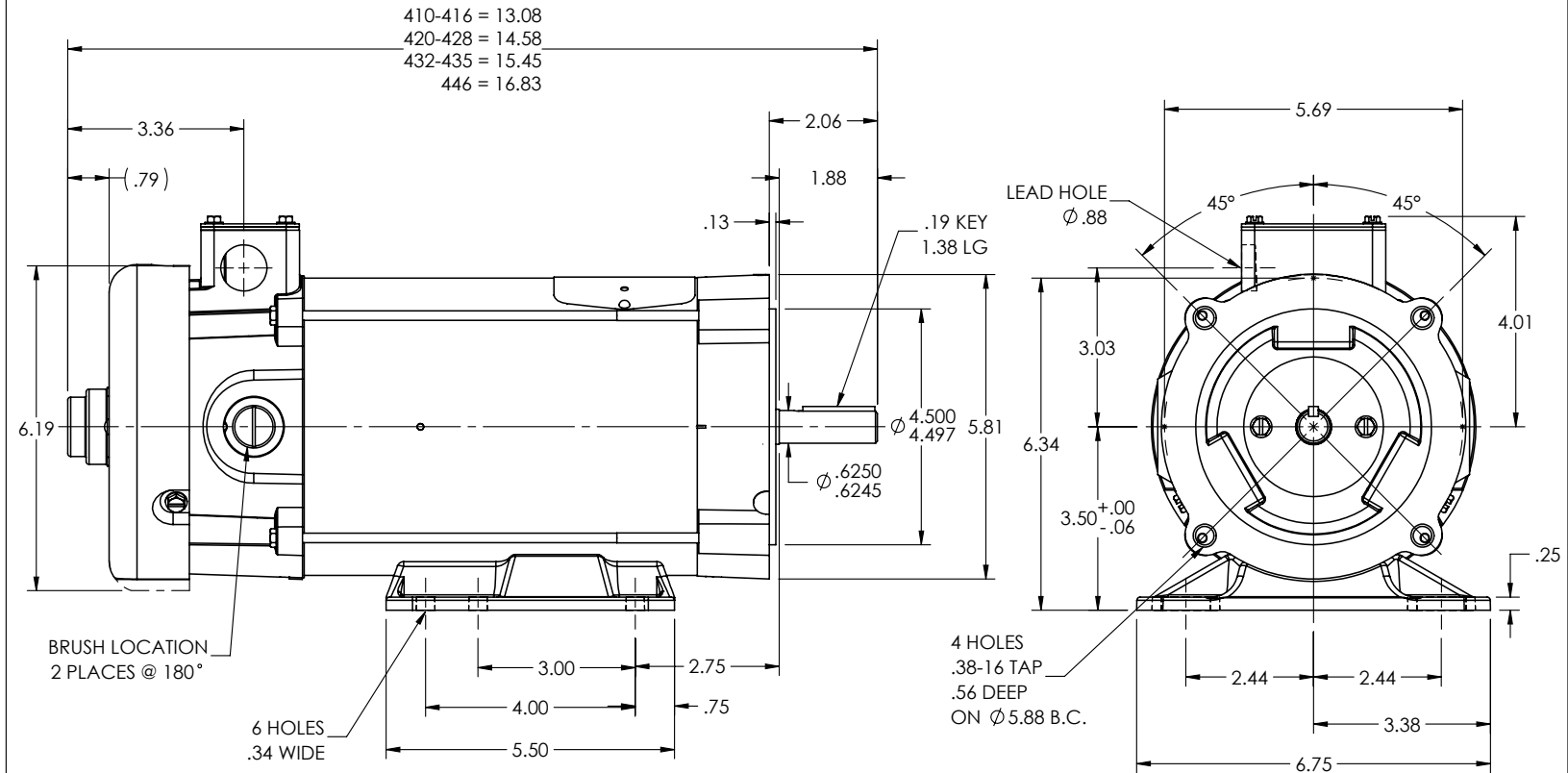
Typical performance - not guaranteed values.

ENCL: TEFC DUTY: CONT CL: F



10/5/2024, DCPERF, VER 2.0.06, record 2650

34LY5990



CUSTOMER IS RESPONSIBLE FOR DETERMINING THAT THE PRODUCT WILL PERFORM SUITABLY IN THE INTENDED APPLICATION

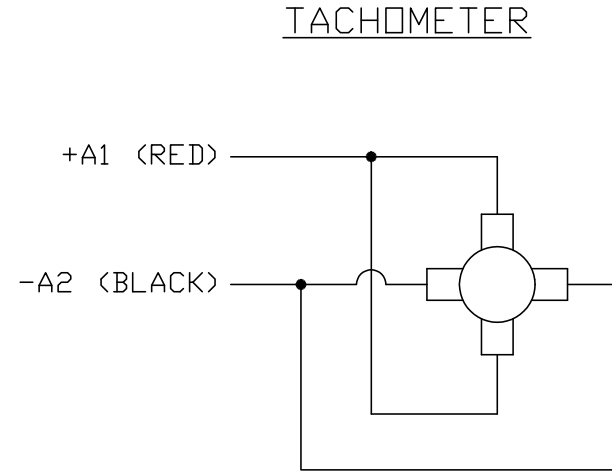
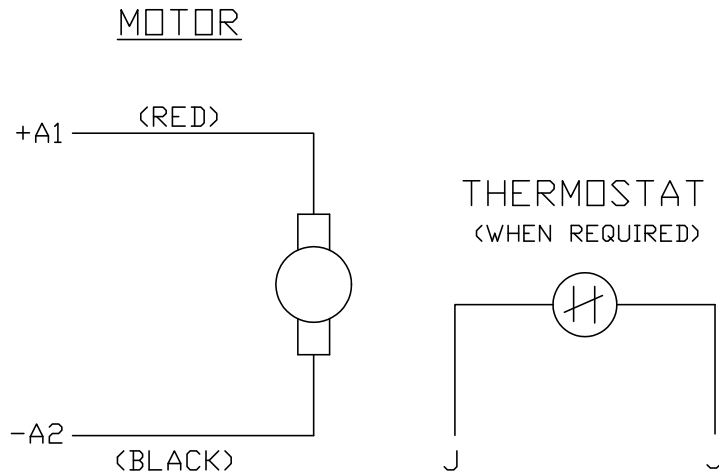
REV. DESC: LOAD TO SOLIDWORKS - REV M			
REV: N	VERSION: 02	REVISED: 04:26:06 12/21/2022	TDR: 000001201165
06651743 34LY5990	MODEL NO. 34LY5990	REF: -	
BY: ENFRAJ0			

BALDOR - RELIANCE®

SPL HORZ "C" 34PM NEMA 56C TEFC W/M.F.T.K.

34LY5990

CD0194



NOTES:

1. CCW ROTATION AS SHOWN FACING COMMUTATOR END. TO REVERSE MOTOR ROTATION OR TACHOMETER OUTPUT POLARITY INTERCHANGE LEADS A1(RED) & A2(BLACK)
2. LEAD COLORS FOR REFERENCE ONLY & NOT SPECIFIED BY THIS DRAWING. LEAD COLORS SPECIFIED BY LAYOUT DRAWING & BILL OF MATERIAL ONLY.

MATL: -			
REV: E	ADDED NOTE "LEAD COLORS FOR REFERENCE ONLY &..."		
CD0194	SCALE: -	BY: CK	REVISED: 07/28/95
	FILE: AAA00004503	TDR: 0078737	

BALDOR ELECTRIC Co.

CD TYPE P DC PERMANENT MAGNET MOTORS AND TACHOMETERS

CD0194