

**BALDOR • RELIANCE**

---

# Customer information packet

## CDP3430-V24

.5HP, 1800RPM, DC, 56C, 3424P, TENV, F1

Class - None

Division -

## Specifications

Armature Voltage	24 V
Base Speed	1800 rpm
Enclosure	TENV
Frame	56C
Frame Material	Steel
Output Power	0.500 HP
XP Class and Group	None
Agency Approvals	CSA UR
Ambient Temperature	40 °C
Armature Current	19.6 a
Armature Inertia	8.264 lb-ft <sup>2</sup>
Base Indicator	Rigid
Bearing Grease Type	Polyrex EM (-20F +300F)
Drip Cover	No Drip Cover
Duty Rating	CONT
Feedback Device	NO FEEDBACK
Heater Indicator	No Heater
Lifting Lugs	No Lifting Lugs
Motor Lead Exit	Ko Box
Motor Lead Quantity/Wire Size	2 @ 12 AWG
Motor Lead Termination	Flying Leads
Motor Standards	NEMA
Mounting Arrangement	F1
Overall Length	12.60 IN
Product Family	General Purpose
Pulley End Bearing Type	Sealed Bearing
Service Factor	1.00
Shaft Diameter	0.625 IN
Shaft Extension Location	Pulley End
Shaft Ground Indicator	No Shaft Grounding
Shaft Rotation	Reversible

## Part detail

Revision	J
Type	DC
Mech. spec.	34-6943
Base	
Status	PRD/A
Elec. spec.	34WGZ611
Layout	34LY6943
Eff. date	06-15-2023
CD Diagram	CD0194
Poles	00
Leads	
Proprietary	False
Created date	01-01-0001

**Shaft Slinger Indicator**

**No Slinger**

---

**Nameplate**

<b>NP0111L</b>			
<b>CAT.NO.</b>	CDP3430-V24		
<b>SPEC.</b>	34-6943Z611G2		
<b>HP</b>	.5	<b>ENCL</b>	TENV
<b>RPM</b>	1800		
<b>FRAME</b>	56C	<b>TYPE</b>	3424P
<b>ARM V</b>	24	<b>ARM A</b>	19.6
<b>FLD V</b>		<b>FLD A</b>	
<b>INSUL</b>	F	<b>AMB.</b>	40
<b>DUTY</b>	CONT	<b>SUPPLY</b>	A
<b>BRG/DE</b>	6203	<b>BRG/ODE</b>	6203
<b>BRUSHES</b>	2/BP5104BV01		
	<b>BLANK</b>		
<b>SER.</b>			
<b>BLANK</b>			
<b>APRV-CSA</b>	<b>APRV-UL</b>		

**DC Motor Performance Data**

Record # 500

Typical performance - not guaranteed values

<b>Winding: 34WGZ611-R003</b>		<b>Type: 3424P</b>		<b>Enclosure: TENV</b>	
<b>Nameplate Data</b>			<b>General Characteristics</b>		
<b>Rated Output (HP)</b>	0.5	<b>Armature Resistance @ 25°C</b>	0.0933 Ω		
<b>R.P.M.</b>	1800	<b>Voltage Constant</b>	12.46 v/krpm		
<b>Armature Volts</b>	24	<b>Armature Inductance</b>	0.7493 mH		
<b>Armature Amps</b>	19.6	<b>Armature Inertia</b>	8.2643 LI <sup>2</sup>		
<b>Field Volts</b>					
<b>Field Amps</b>					
<b>Rating - Duty</b>	40C AMB-CONT				
<b>Power Supply Code</b>	A				

**Load Characteristics at 24 Armature Volts**

<b>Load Point</b>	<b>1</b>	<b>2</b>	<b>3</b>	<b>4</b>	<b>5</b>	<b>6</b>	<b>7</b>
<b>Armature Amps</b>	2.28	8.05	14.05	19.8	25.8	31.68	37
<b>R.P.M.</b>	1900	1843	1772	1709	1635	1574	1493
<b>Torque ( LB-FT )</b>	0	0.55	1.1	1.65	2.2	2.75	3.3

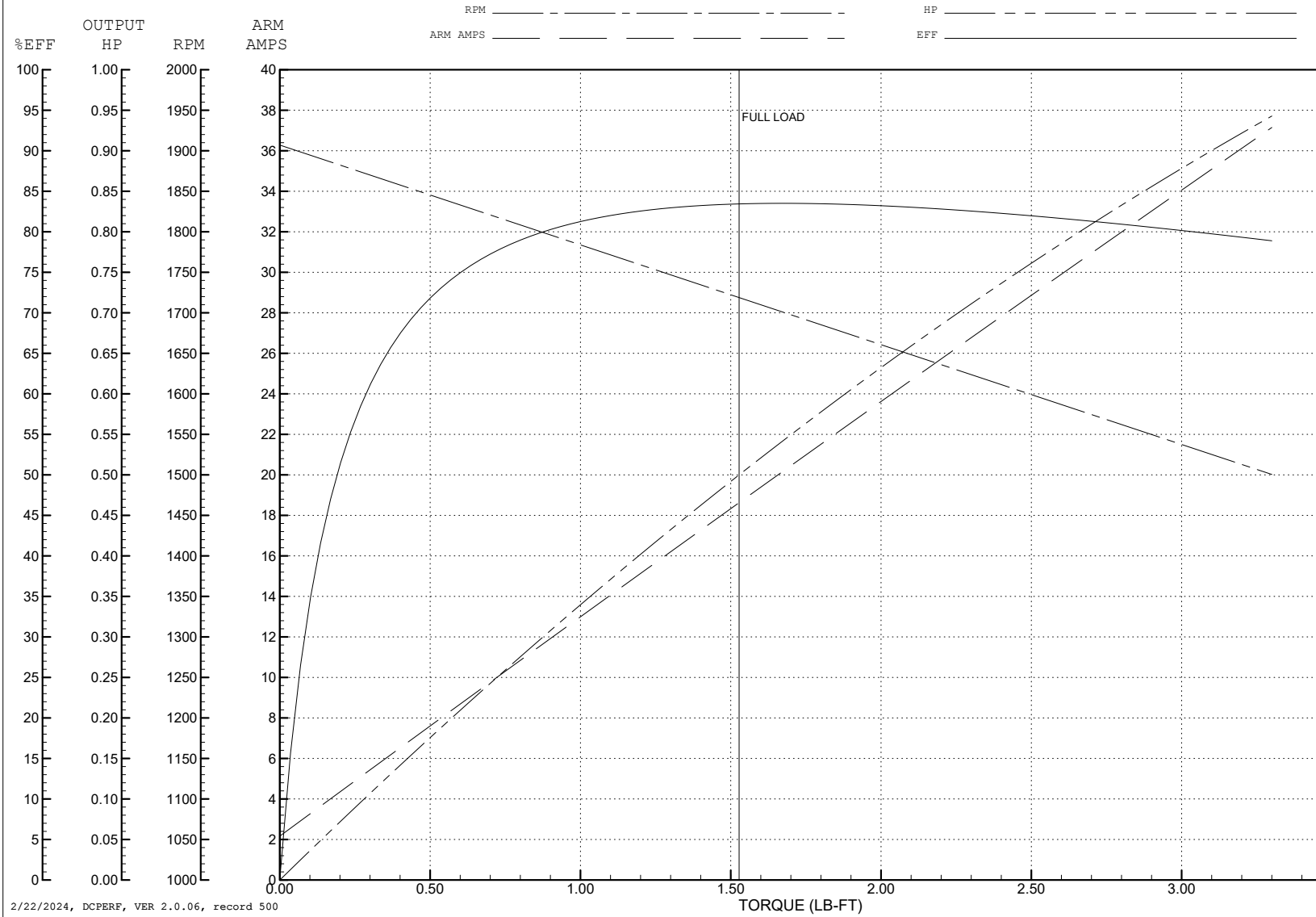
ABB Motors and Mechanical Inc.

WINDING # 34WGZ611

Typical performance - not guaranteed values.

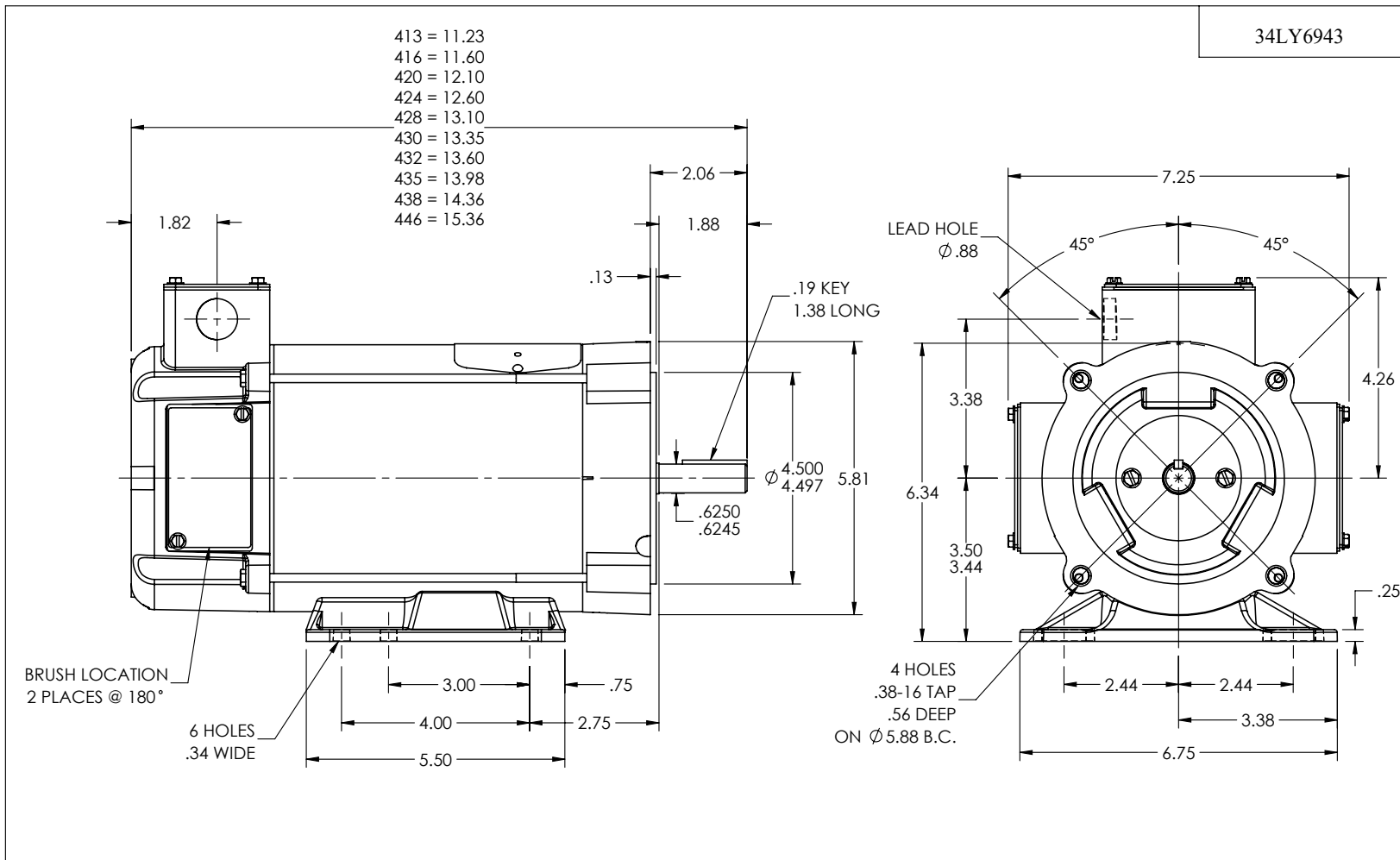
0.5 HP DC 1800 RPM 24 V 3424P

ENCL: TENV DUTY: CONT CL: F



2/22/2024, DCPERF, VER 2.0.06, record 500

34LY6943



CUSTOMER IS RESPONSIBLE FOR DETERMINING THAT THE PRODUCT WILL PERFORM SUITABLY IN THE INTENDED APPLICATION

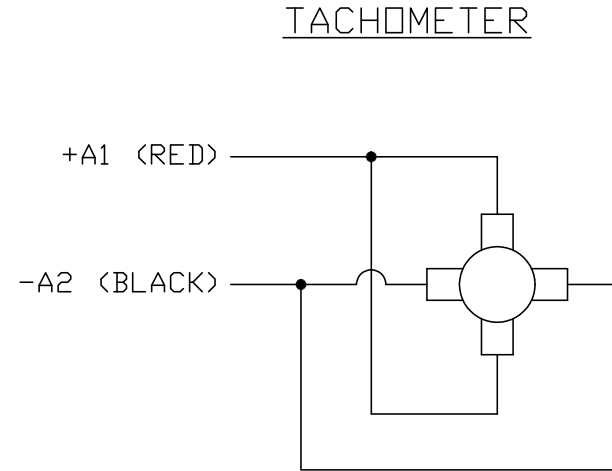
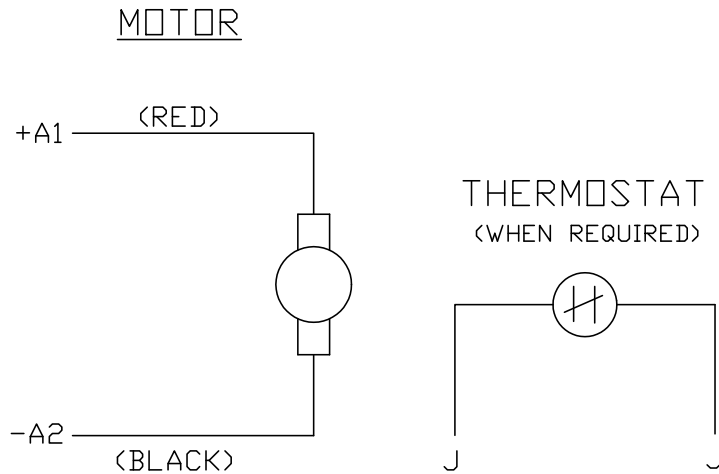
REV. DESC: LOAD TO SOLIDWORKS - REV H			
REV: J	VERSION: 08	REVISED: 10:07:54 01/04/2023	TDR: 000001201165
34LY6943	MODEL NO. 34LY6943	REF: -	
	BY: ENFRAJ0		

**BALDOR - RELIANCE®**

STD HORZ 34PM NEMA 56C TENV (HI DEMAG MOTOR) LOW VOLTS

34LY6943

CD0194



NOTES:

1. CCW ROTATION AS SHOWN FACING COMMUTATOR END. TO REVERSE MOTOR ROTATION OR TACHOMETER OUTPUT POLARITY INTERCHANGE LEADS A1(RED) & A2(BLACK)
2. LEAD COLORS FOR REFERENCE ONLY & NOT SPECIFIED BY THIS DRAWING. LEAD COLORS SPECIFIED BY LAYOUT DRAWING & BILL OF MATERIAL ONLY.

MATL: -			
REV: E	ADDED NOTE "LEAD COLORS FOR REFERENCE ONLY &..."		
761000	SCALE: -	BY: CK	REVISED: 07/28/95
	FILE: AAA00004503	TDR: 0078737	

**BALDOR ELECTRIC Co.**

CD TYPE P DC PERMANENT MAGNET MOTORS AND TACHOMETERS

CD0194