

# ABB BALDOR RELIANCE III

---

## Customer information packet

### CDP3420-V24

.33HP, 1800RPM, DC, 56C, 3416P, TENV, F1

Class - None

Division -

**Specifications**

<b>Armature Voltage</b>	24 V
<b>Base Speed</b>	1800 rpm
<b>Enclosure</b>	TENV
<b>Frame</b>	56C
<b>Frame Material</b>	Steel
<b>Haz Area Class and Group</b>	None
<b>Output Power</b>	0.333 HP
<b>Agency Approvals</b>	CSA UR
<b>Ambient Temperature</b>	40 °C
<b>Armature Current</b>	13.6 a
<b>Armature Inertia</b>	5.510 lb-ft <sup>2</sup>
<b>Base Indicator</b>	Rigid
<b>Bearing Grease Type</b>	Polyrex EM (-20F +300F)
<b>Drip Cover</b>	No Drip Cover
<b>Duty Rating</b>	CONT
<b>Feedback Device</b>	NO FEEDBACK
<b>Heater Indicator</b>	No Heater
<b>Lifting Lugs</b>	No Lifting Lugs
<b>Motor Lead Exit</b>	Ko Box
<b>Motor Lead Quantity/Wire Size</b>	2 @ 14 AWG
<b>Motor Lead Termination</b>	Flying Leads
<b>Motor Standards</b>	NEMA
<b>Mounting Arrangement</b>	F1
<b>Overall Length</b>	11.60 IN
<b>Product Family</b>	General Purpose
<b>Pulley End Bearing Type</b>	Sealed Bearing
<b>Service Factor</b>	1.00
<b>Shaft Diameter</b>	0.625 IN
<b>Shaft Extension Location</b>	Pulley End
<b>Shaft Ground Indicator</b>	No Shaft Grounding
<b>Shaft Rotation</b>	Reversible

**Part Detail**

<b>Revision</b>	M
<b>Type</b>	DC
<b>Mech. spec.</b>	34-6943
<b>Base</b>	
<b>Status</b>	PRD/A
<b>Elec. spec.</b>	34WGZ610
<b>Layout</b>	34LY6943
<b>Eff. date</b>	10-25-2024
<b>CD Diagram</b>	CD0194
<b>Poles</b>	00
<b>Leads</b>	
<b>Proprietary</b>	False
<b>Created date</b>	01-01-0001

**Shaft Slinger Indicator**

**No Slinger**

---

**Nameplate**

<b>NP0111L</b>			
<b>CAT.NO.</b>	CDP3420-V24		
<b>SPEC.</b>	34-6943Z610		
<b>HP</b>	.333	<b>ENCL</b>	TENV
<b>RPM</b>	1800		
<b>FRAME</b>	56C	<b>TYPE</b>	3416P
<b>ARM V</b>	24	<b>ARM A</b>	13.6
<b>FLD V</b>		<b>FLD A</b>	
<b>INSUL</b>	F	<b>AMB.</b>	40
<b>DUTY</b>	CONT	<b>SUPPLY</b>	A
<b>BRG/DE</b>	6203	<b>BRG/ODE</b>	6203
<b>BRUSHES</b>	2/BP5104BV01		
	<b>BLANK</b>		
<b>SER.</b>			
<b>BLANK</b>			
<b>APRV-CSA</b>		<b>APRV-UL</b>	

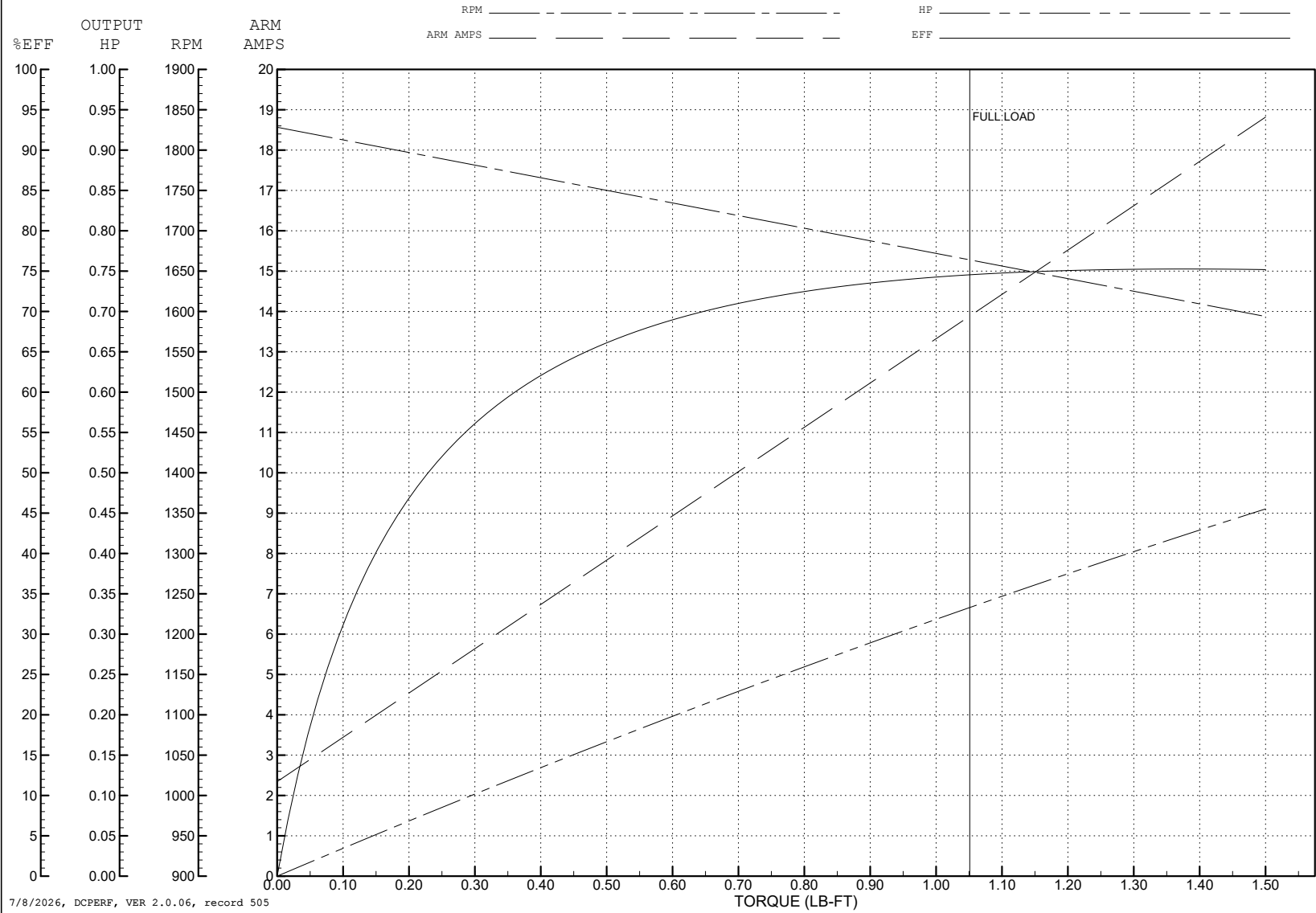
ABB Motors and Mechanical Inc.

WINDING # 34WGZ610

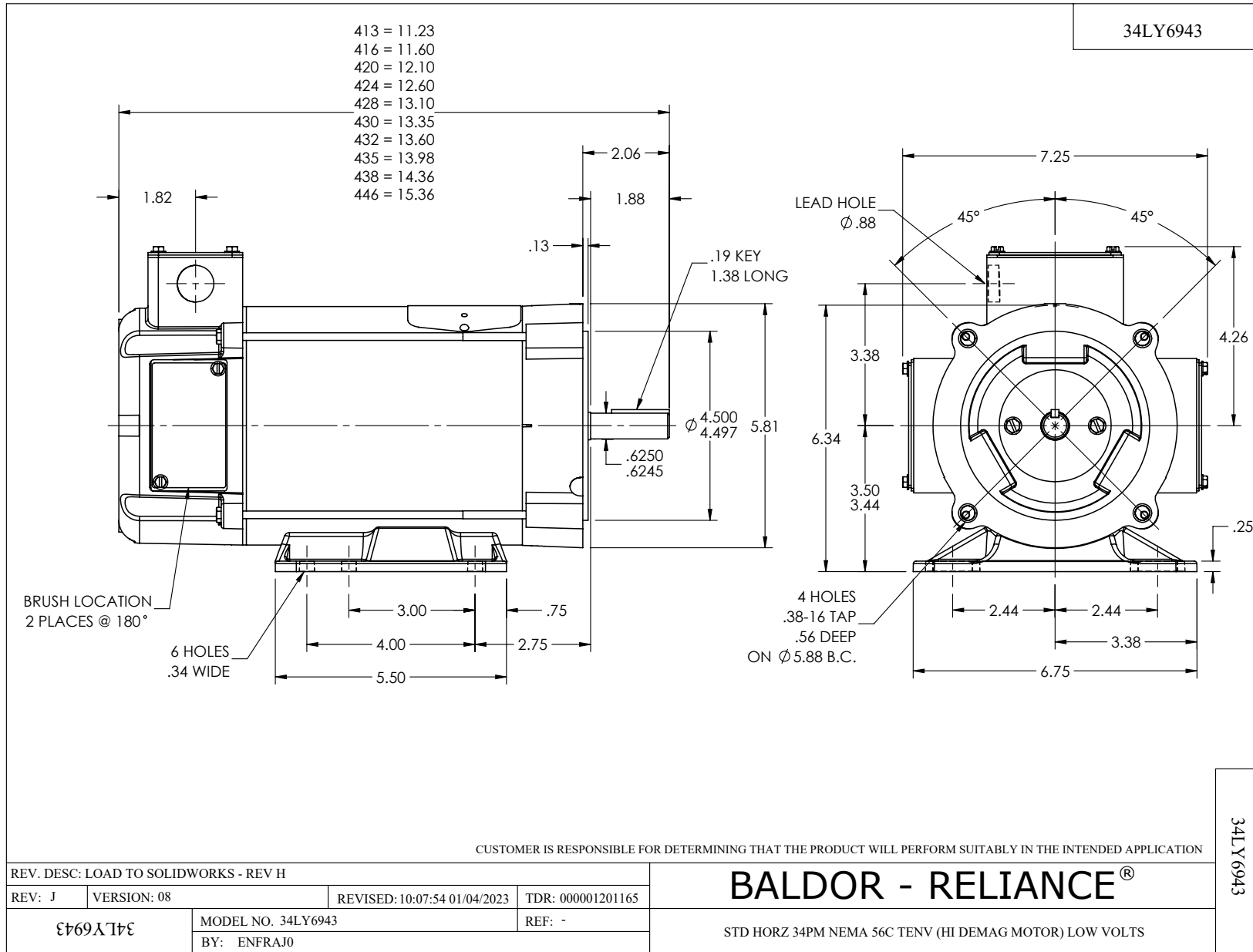
0.333 HP DC 1800 RPM 24 V 3416P

Typical performance - not guaranteed values.

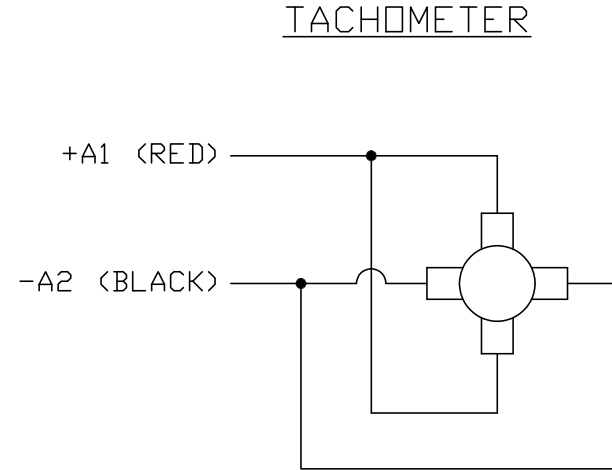
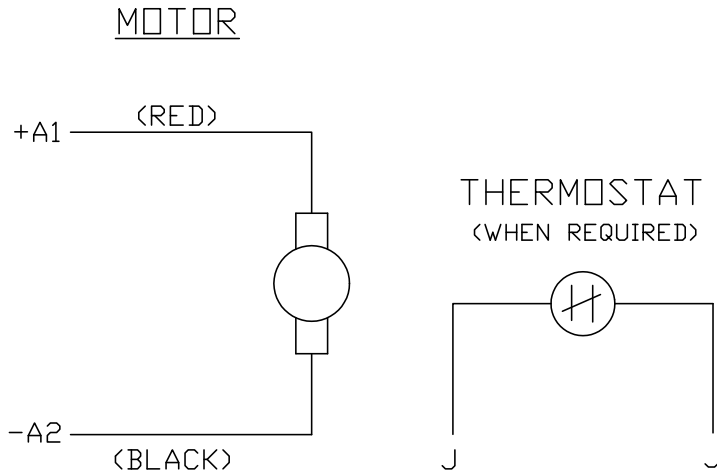
ENCL: TENV DUTY: CONT CL: F



7/8/2026, DCPERF, VER 2.0.06, record 505



CD0194



NOTES:

1. CCW ROTATION AS SHOWN FACING COMMUTATOR END. TO REVERSE MOTOR ROTATION OR TACHOMETER OUTPUT POLARITY INTERCHANGE LEADS A1(RED) & A2(BLACK)
2. LEAD COLORS FOR REFERENCE ONLY & NOT SPECIFIED BY THIS DRAWING. LEAD COLORS SPECIFIED BY LAYOUT DRAWING & BILL OF MATERIAL ONLY.

MATL: -			
REV: E	ADDED NOTE "LEAD COLORS FOR REFERENCE ONLY &..."		
CD0194	SCALE: -	BY: CK	REVISED: 07/28/95
	FILE: AAA00004503	TDR: 0078737	

**BALDOR ELECTRIC Co.**

CD TYPE P DC PERMANENT MAGNET MOTORS AND TACHOMETERS

CD0194