

ABB BALDOR RELIANCE III

Customer information packet

CDP3420-V12

.33HP, 1800RPM, DC, 56C, 3416P, TENV, F1

Class - None

Division -

Specifications

Armature Voltage	12 V
Base Speed	1800 rpm
Enclosure	TENV
Frame	56C
Frame Material	Steel
Haz Area Class and Group	None
Output Power	0.330 HP
Agency Approvals	CSA UR
Ambient Temperature	40 °C
Armature Current	28.6 a
Armature Inertia	5.510 lb-ft ²
Base Indicator	Rigid
Bearing Grease Type	Polyrex EM (-20F +300F)
Drip Cover	No Drip Cover
Duty Rating	CONT
Feedback Device	NO FEEDBACK
Heater Indicator	No Heater
Lifting Lugs	No Lifting Lugs
Motor Lead Exit	Ko Box
Motor Lead Quantity/Wire Size	2 @ 14 AWG
Motor Lead Termination	Flying Leads
Motor Standards	NEMA
Mounting Arrangement	F1
Overall Length	11.60 IN
Product Family	General Purpose
Pulley End Bearing Type	Sealed Bearing
Service Factor	1.00
Shaft Diameter	0.625 IN
Shaft Extension Location	Pulley End
Shaft Ground Indicator	No Shaft Grounding
Shaft Rotation	Reversible

Part Detail

Revision	K
Type	DC
Mech. spec.	34-6943
Base	
Status	PRD/A
Elec. spec.	34WGZ608
Layout	34LY6943
Eff. date	10-25-2024
CD Diagram	CD0194
Poles	00
Leads	
Proprietary	False
Created date	01-01-0001

Shaft Slinger Indicator

No Slinger

Nameplate

NP0111L			
CAT.NO.	CDP3420-V12		
SPEC.	34-6943Z608G2		
HP	.33	ENCL	TENV
RPM	1800		
FRAME	56C	TYPE	3416P
ARM V	12	ARM A	28.6
FLD V		FLD A	
INSUL	F	AMB.	40
DUTY	CONT	SUPPLY	A
BRG/DE	6203	BRG/ODE	6203
BRUSHES	2/BP5104BV01		
	BLANK		
SER.			
BLANK			
APRV-CSA	APRV-UL		

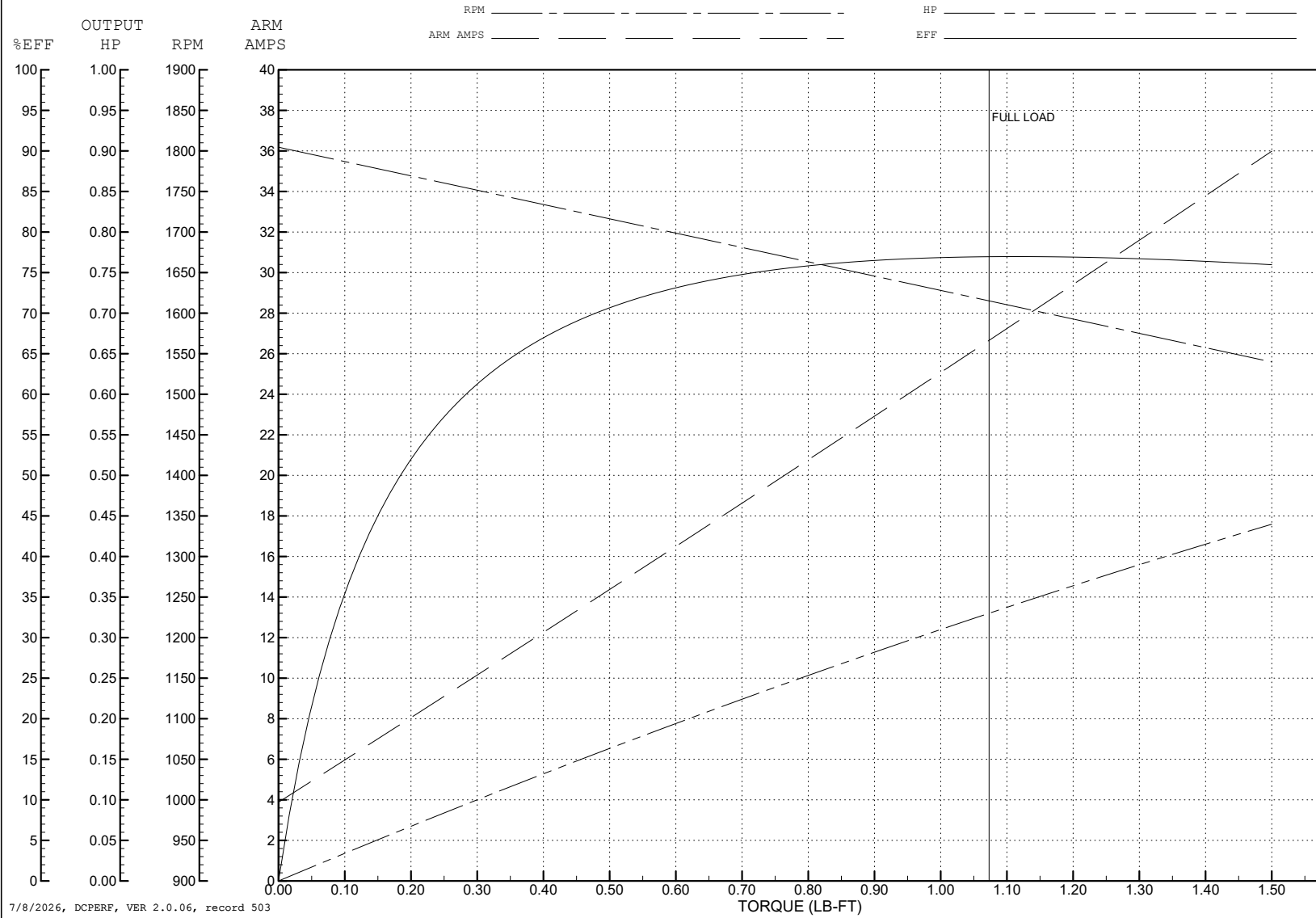
ABB Motors and Mechanical Inc.

WINDING # 34WGZ608

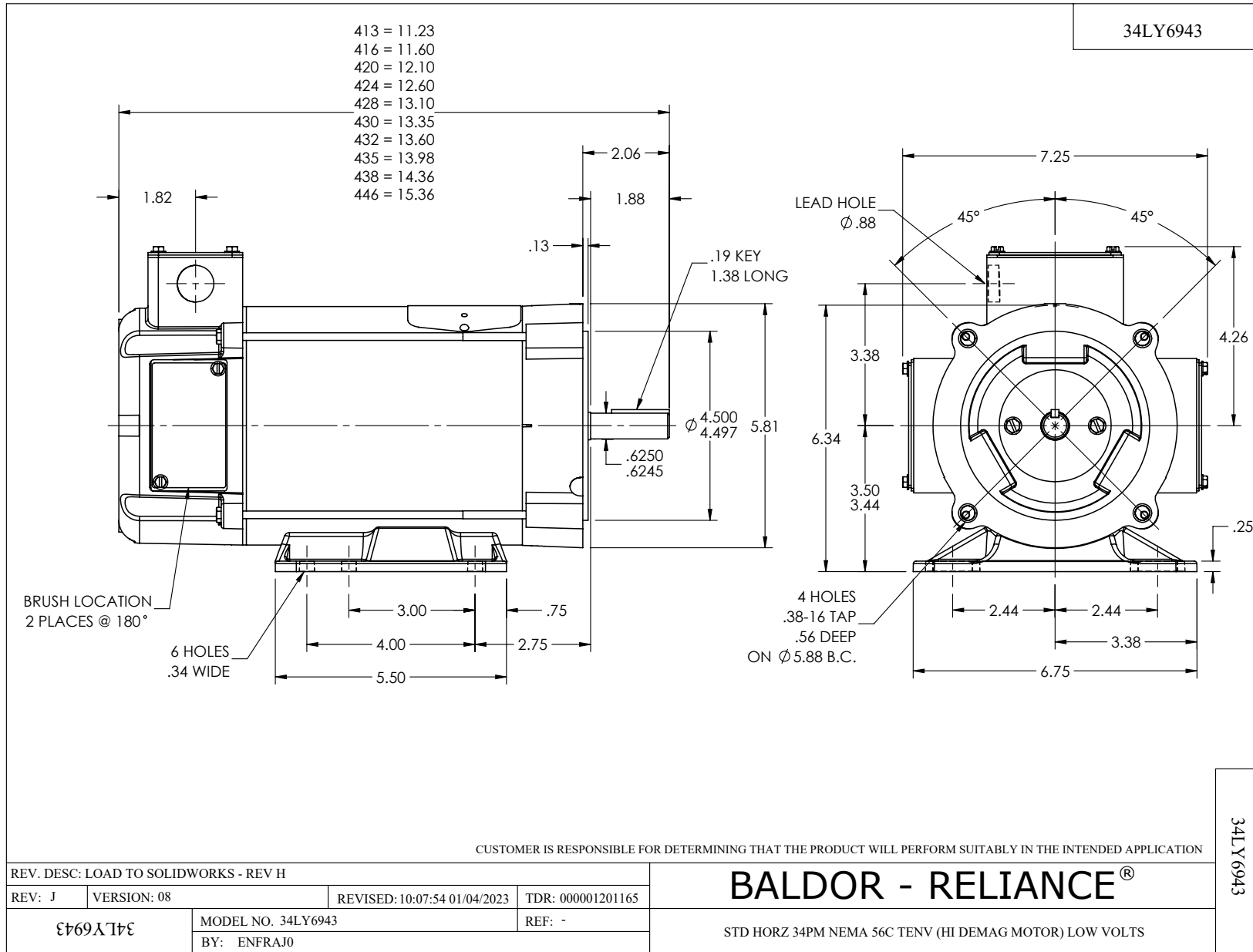
0.33 HP DC 1800 RPM 12 V 3416P

Typical performance - not guaranteed values.

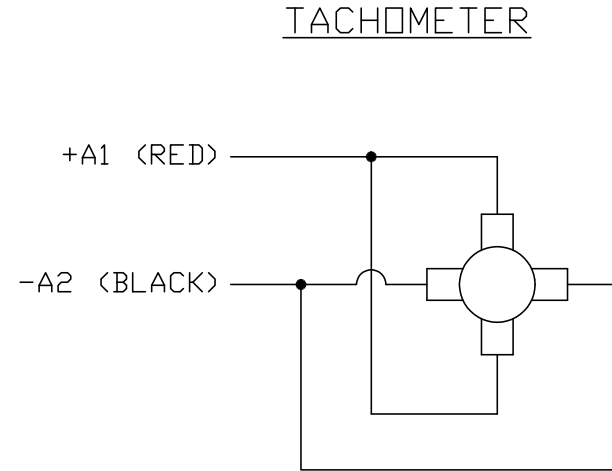
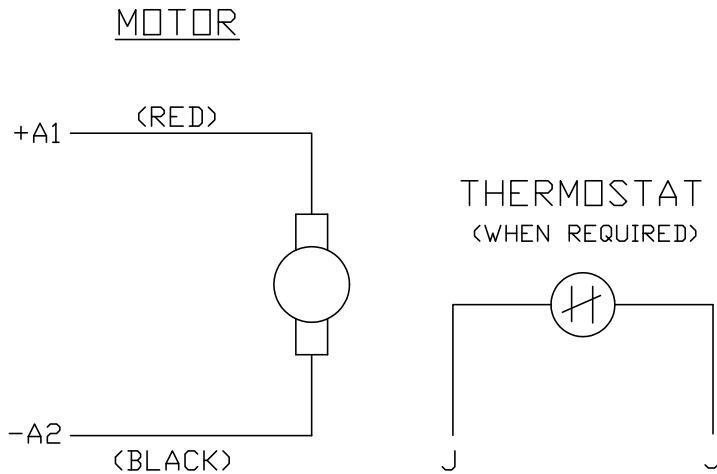
ENCL: TENV DUTY: CONT CL: F



7/8/2026, DCPERF, VER 2.0.06, record 503



CD0194



NOTES:

1. CCW ROTATION AS SHOWN FACING COMMUTATOR END. TO REVERSE MOTOR ROTATION OR TACHOMETER OUTPUT POLARITY INTERCHANGE LEADS A1(RED) & A2(BLACK)
2. LEAD COLORS FOR REFERENCE ONLY & NOT SPECIFIED BY THIS DRAWING. LEAD COLORS SPECIFIED BY LAYOUT DRAWING & BILL OF MATERIAL ONLY.

MATL: -			
REV: E	ADDED NOTE "LEAD COLORS FOR REFERENCE ONLY &..."		
761000 CD0194	SCALE: -	BY: CK	REVISED: 07/28/95
	FILE: AAA00004503	TDR: 0078737	

BALDOR ELECTRIC Co.

CD TYPE P DC PERMANENT MAGNET MOTORS AND TACHOMETERS

CD0194