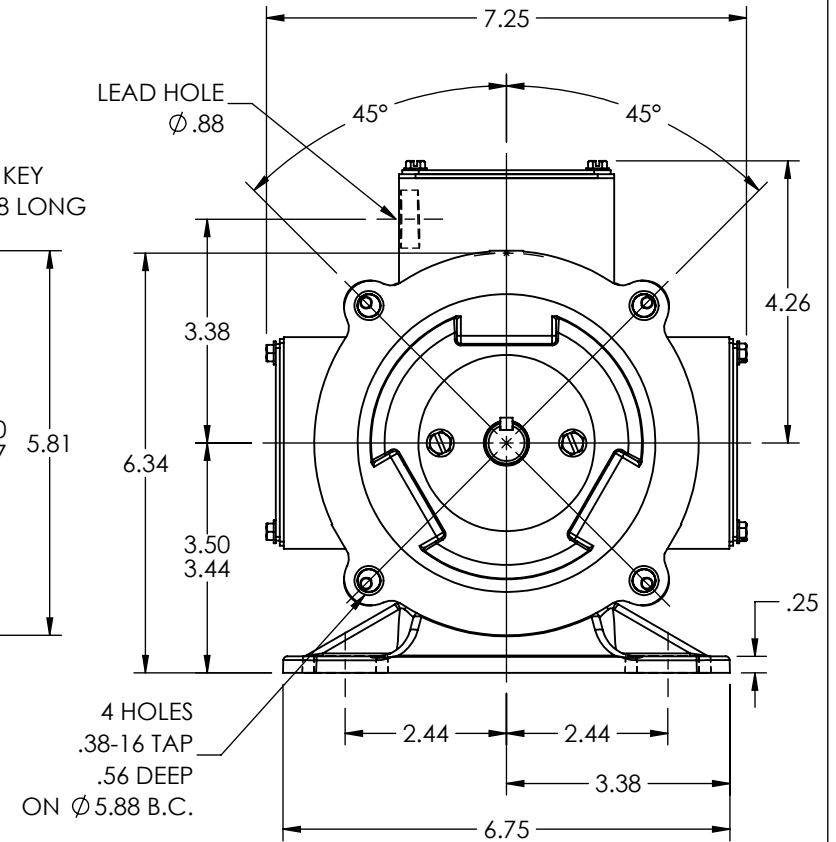
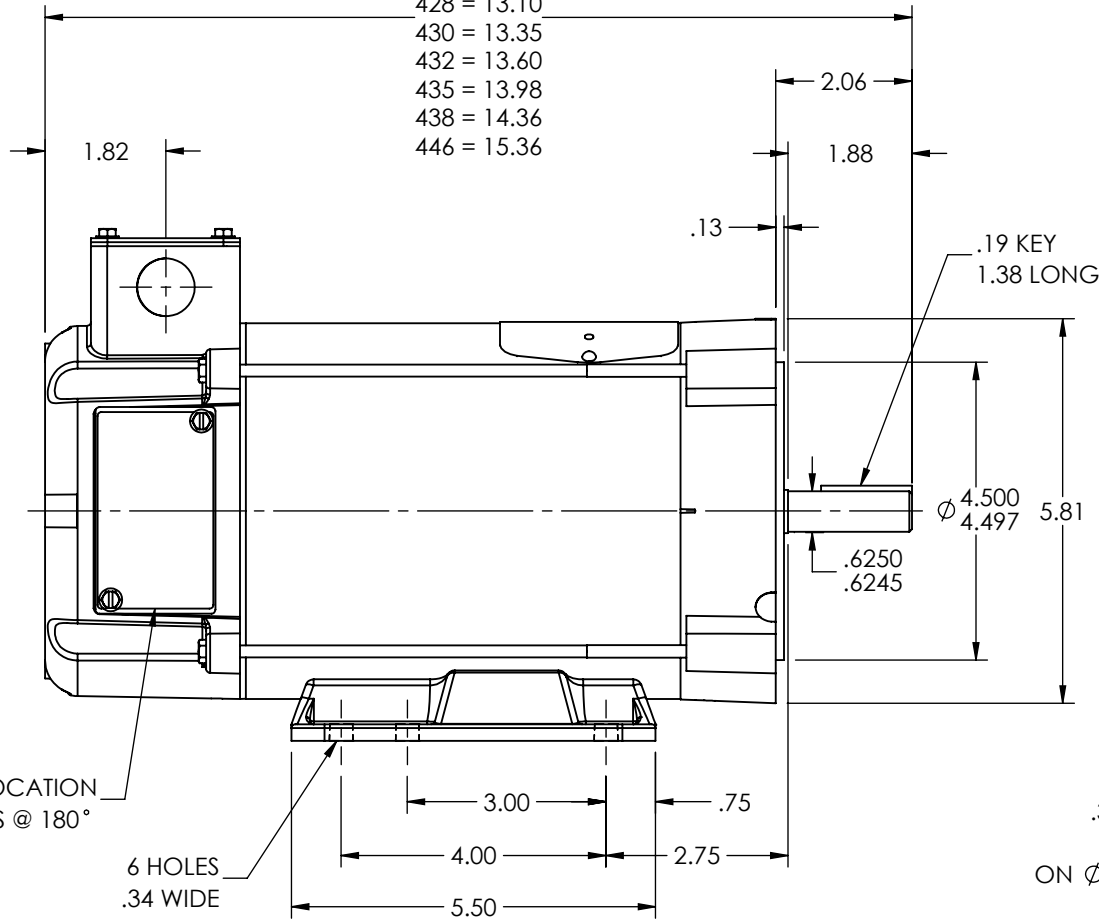


34LY6943

- 413 = 11.23
- 416 = 11.60
- 420 = 12.10
- 424 = 12.60
- 428 = 13.10
- 430 = 13.35
- 432 = 13.60
- 435 = 13.98
- 438 = 14.36
- 446 = 15.36



CUSTOMER IS RESPONSIBLE FOR DETERMINING THAT THE PRODUCT WILL PERFORM SUITABLY IN THE INTENDED APPLICATION

REV. DESC: LOAD TO SOLIDWORKS - REV H			
REV: J	VERSION: 08	REVISED: 10:07:54 01/04/2023	TDR: 000001201165
34LY6943		MODEL NO. 34LY6943	REF: -
		BY: ENFRAJ0	

BALDOR - RELIANCE®

STD HORZ 34PM NEMA 56C TENV (HI DEMAG MOTOR) LOW VOLTS

34LY6943