

BALDOR® • RELIANCE™

Customer information packet

CDP3410-V12

.25HP, 1800RPM, DC, 56C, 3416P, TENV, F1

Class - None

Division -

Copyright © All product information within this document is subject to ABB Motors and Mechanical Inc. copyright © protection, unless otherwise noted.

10/7/2024 12:59:55 AM

Specifications

Armature Voltage	12 V
Base Speed	1800 rpm
Enclosure	TENV
Frame	56C
Frame Material	Steel
Haz Area Class and Group	None
Output Power	0.250 HP
Agency Approvals	CSA UR
Ambient Temperature	40 °C
Armature Current	22.5 a
Armature Inertia	5.510 lb-ft ²
Base Indicator	Rigid
Bearing Grease Type	Polyrex EM (-20F +300F)
Drip Cover	No Drip Cover
Duty Rating	CONT
Feedback Device	NO FEEDBACK
Heater Indicator	No Heater
Lifting Lugs	No Lifting Lugs
Motor Lead Exit	Ko Box
Motor Lead Quantity/Wire Size	2 @ 14 AWG
Motor Lead Termination	Flying Leads
Motor Standards	NEMA
Mounting Arrangement	F1
Overall Length	11.60 IN
Product Family	General Purpose
Pulley End Bearing Type	Sealed Bearing
Service Factor	1.00
Shaft Diameter	0.625 IN
Shaft Extension Location	Pulley End
Shaft Ground Indicator	No Shaft Grounding
Shaft Rotation	Reversible

Part detail

Revision	J
Type	DC
Mech. spec.	34-6943
Base	
Status	PRD/A
Elec. spec.	34WGZ608
Layout	34LY6943
Eff. date	06-15-2023
CD Diagram	CD0194
Poles	00
Leads	
Proprietary	False
Created date	01-01-0001

Shaft Slinger Indicator

No Slinger

Nameplate

NP0111L			
CAT.NO.	CDP3410-V12		
SPEC.	34-6943Z608G1		
HP	.25	ENCL	TENV
RPM	1800		
FRAME	56C	TYPE	3416P
ARM V	12	ARM A	22.5
FLD V		FLD A	
INSUL	F	AMB.	40
DUTY	CONT	SUPPLY	A
BRG/DE	6203	BRG/ODE	6203
BRUSHES	2/BP5104BV01		
	BLANK		
SER.			
BLANK			
APRV-CSA	APRV-UL		

DC Motor Performance Data

Record # 502

Typical performance - not guaranteed values

Winding: 34WGZ608-R002		Type: 3416P		Enclosure: TENV	
Nameplate Data			General Characteristics		
Rated Output (HP)	0.25	Armature Resistance @ 25°C	0.036 Ω		
R.P.M.	1800	Voltage Constant	6.49 v/krpm		
Armature Volts	12	Armature Inductance	0.245 mH		
Armature Amps	22.5	Armature Inertia	5.5096 LI ²		
Field Volts					
Field Amps					
Rating - Duty	40C AMB-CONT				
Power Supply Code	A				

Load Characteristics at 12 Armature Volts

Load Point	1	2	3	4	5	6	7
Armature Amps	3.72	9.42	14.4	19.56	24.95	30.6	36
R.P.M.	1808	1758	1708	1675	1635	1585	1536
Torque (LB-FT)	0	0.25	0.5	0.75	1	1.25	1.5

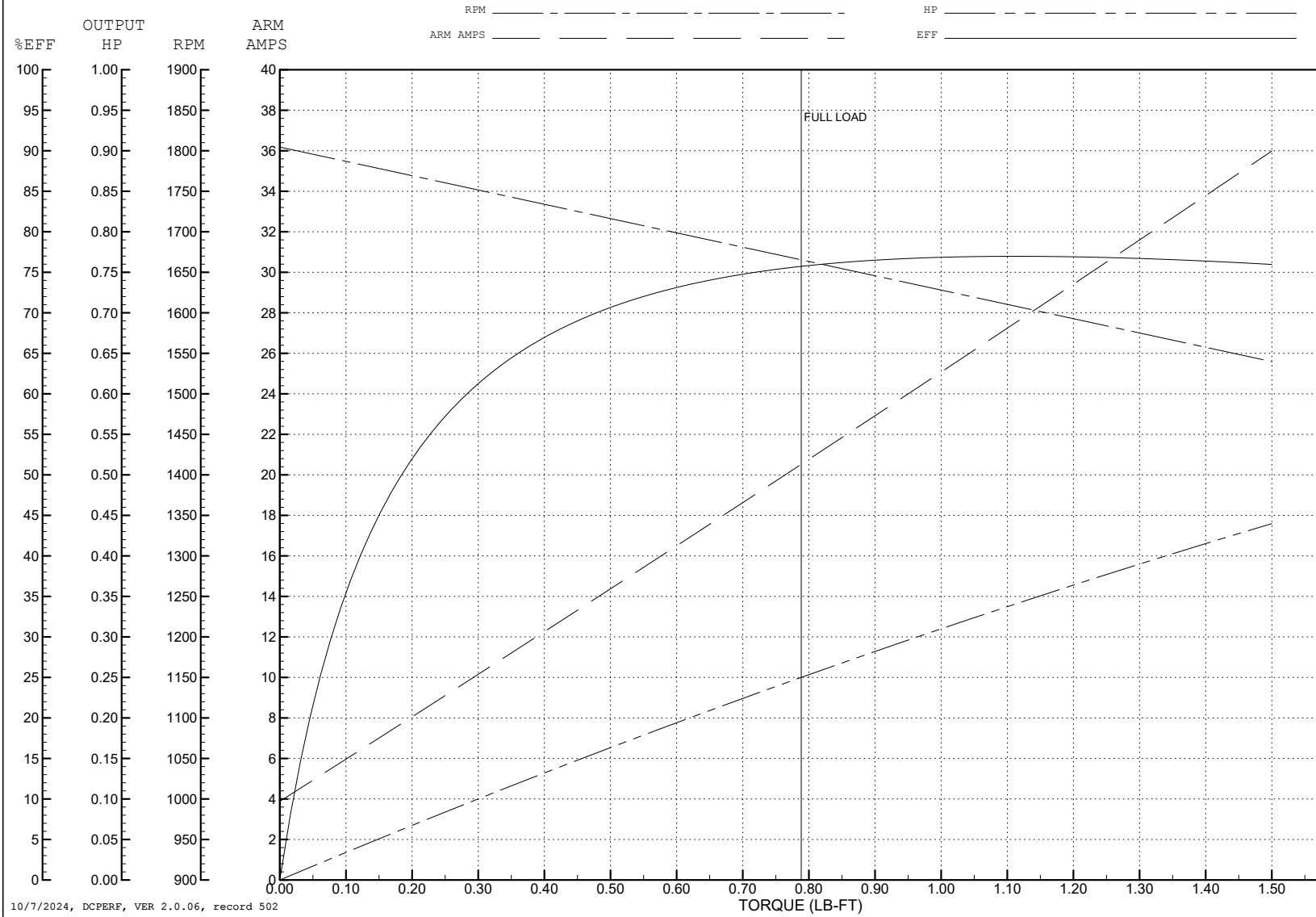
ABB Motors and Mechanical Inc.

WINDING # 34WGZ608

0.25 HP DC 1800 RPM 12 V 3416P

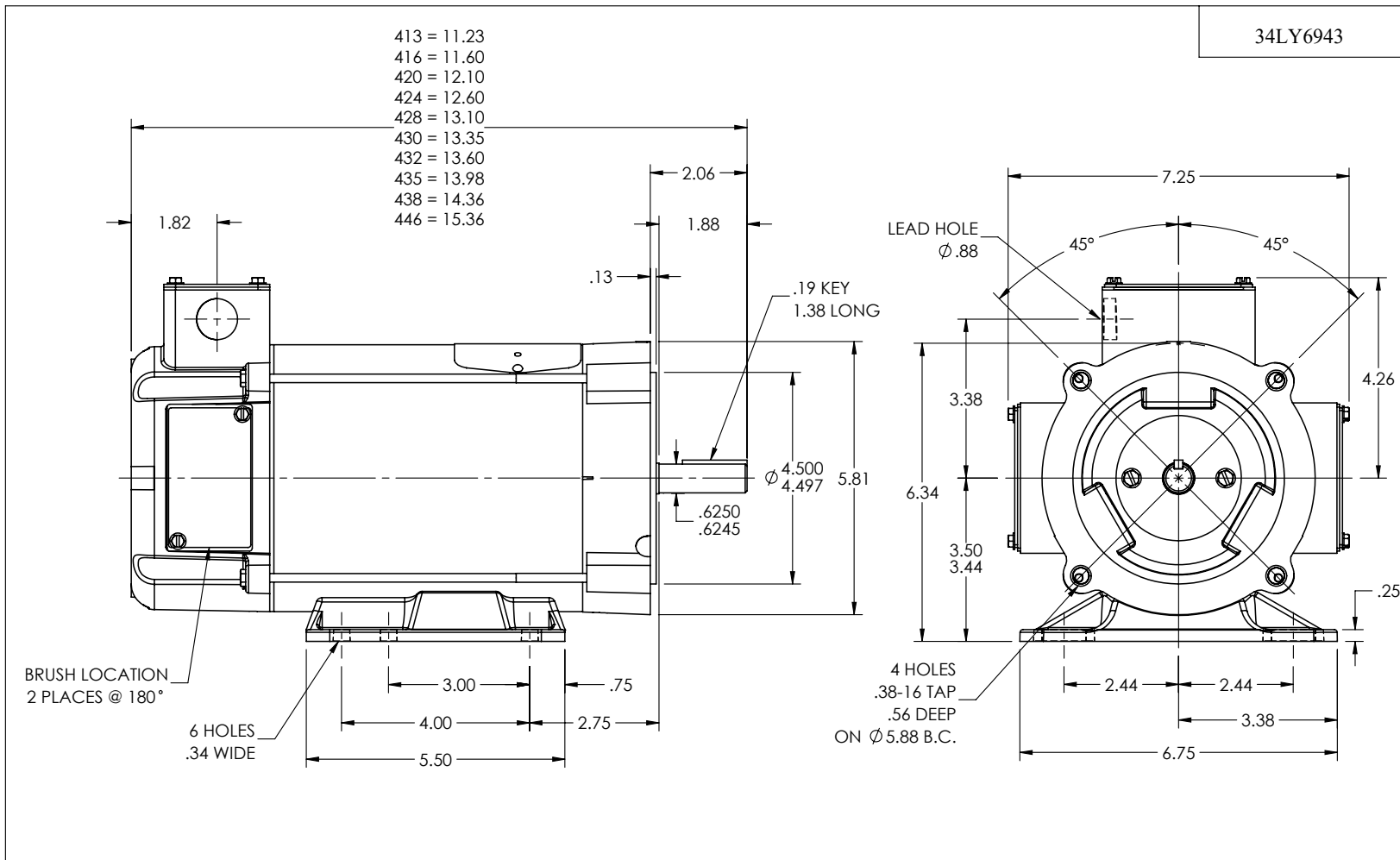
Typical performance - not guaranteed values.

ENCL: TENV DUTY: CONT CL: F



10/7/2024, DCPERF, VER 2.0.06, record 502

34LY6943



CUSTOMER IS RESPONSIBLE FOR DETERMINING THAT THE PRODUCT WILL PERFORM SUITABLY IN THE INTENDED APPLICATION

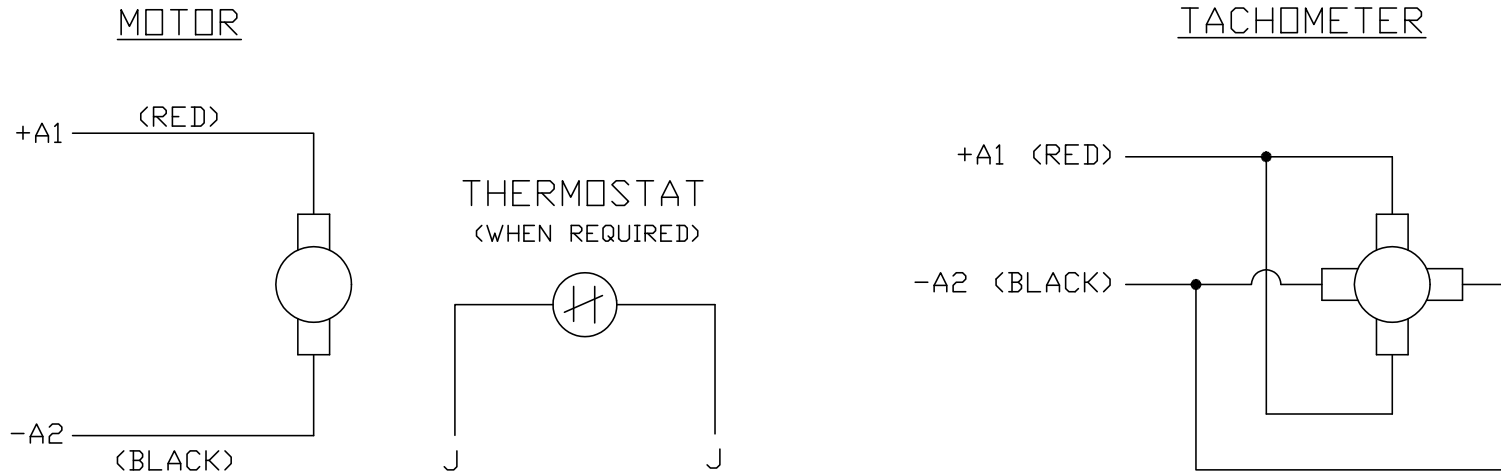
REV. DESC: LOAD TO SOLIDWORKS - REV H			
REV: J	VERSION: 08	REVISED: 10:07:54 01/04/2023	TDR: 000001201165
34LY6943	MODEL NO. 34LY6943	REF: -	
BY: ENFRAJ0			

BALDOR - RELIANCE®

STD HORZ 34PM NEMA 56C TENV (HI DEMAG MOTOR) LOW VOLTS

34LY6943

CD0194



NOTES:

1. CCW ROTATION AS SHOWN FACING COMMUTATOR END. TO REVERSE MOTOR ROTATION OR TACHOMETER OUTPUT POLARITY INTERCHANGE LEADS A1(RED) & A2(BLACK)
2. LEAD COLORS FOR REFERENCE ONLY & NOT SPECIFIED BY THIS DRAWING. LEAD COLORS SPECIFIED BY LAYOUT DRAWING & BILL OF MATERIAL ONLY.

MATL: -			
REV: E	ADDED NOTE "LEAD COLORS FOR REFERENCE ONLY &..."		
CD0194	SCALE: -	BY: CK	REVISED: 07/28/95
	FILE: AAA00004503	TDR: 0078737	

BALDOR ELECTRIC Co.

CD TYPE P DC PERMANENT MAGNET MOTORS AND TACHOMETERS

CD0194