

ABB BALDOR RELIANCE III



Customer information packet CDP3335

.5HP, 2500RPM, DC, 56C, 3327P, TENV, F1

Specifications

Armature Voltage	90 V
Base Speed	2500 rpm
Enclosure	TENV
Frame	56C
Frame Material	Steel
Output Power	0.500 HP
Agency Approvals	CE CSA UR
Ambient Temperature	40 °C
Armature Current	5.0 a
Armature Inertia	6.318 lb-ft ²
Base Indicator	Rigid
Bearing Grease Type	Polyrex EM (-20F +300F)
Drip Cover	No Drip Cover
Duty Rating	CONT
Feedback Device	NO FEEDBACK
Heater Indicator	No Heater
Lifting Lugs	No Lifting Lugs
Motor Lead Exit	Ko Box
Motor Lead Quantity/Wire Size	2 @ 18 AWG, A
Motor Lead Termination	Flying Leads
Motor Standards	NEMA
Mounting Arrangement	F1
Overall Length	13.19 IN
Product Family	General Purpose
Pulley End Bearing Type	Sealed Bearing
RoHS Status	ROHS COMPLIANT
Service Factor	1.00
Shaft Diameter	0.625 IN
Shaft Extension Location	Pulley End
Shaft Ground Indicator	No Shaft Grounding

Part Detail

Revision	AF
Type	DC
Mech. spec.	33-2123
Base	
Status	PRD/A
Elec. spec.	33WGZ148
Layout	33LY2123
Eff. date	10-24-2024
CD Diagram	CD0194
Poles	00
Leads	2#18 A Y
Proprietary	False
Created date	01-01-0001

Shaft Rotation

Reversible

Shaft Slinger Indicator

No Slinger

Nameplate

NP0891L			
CAT.NO.	CDP3335		
SPEC.	33-2123Z148		
HP	.5/.37KW	ENCL	TENV
RPM	2500 1/MIN		
FRAME	56C	TYPE	3327P
ARM V	90	ARM A	5
FLD V		FLD A	
INSUL	F	AMB.	40
DUTY	S1 CONT	SUPPLY	1.3
BRG/DE	6203	BRG/ODE	6203
BRUSHES	2/BP5011CV01		
		BLANK	
SER.			
BLANK	IP44 IC410 12KG		
APRV-CE	Y	APRV-CSA	Y
		APRV-UL	Y

Accessories

Part number	Description	Multiplier
TK3300	TACHO MOUNTING KIT TK3300	A8
TK3300-HPU	HPU10 MOUNTING KIT 33P/34P TENV	

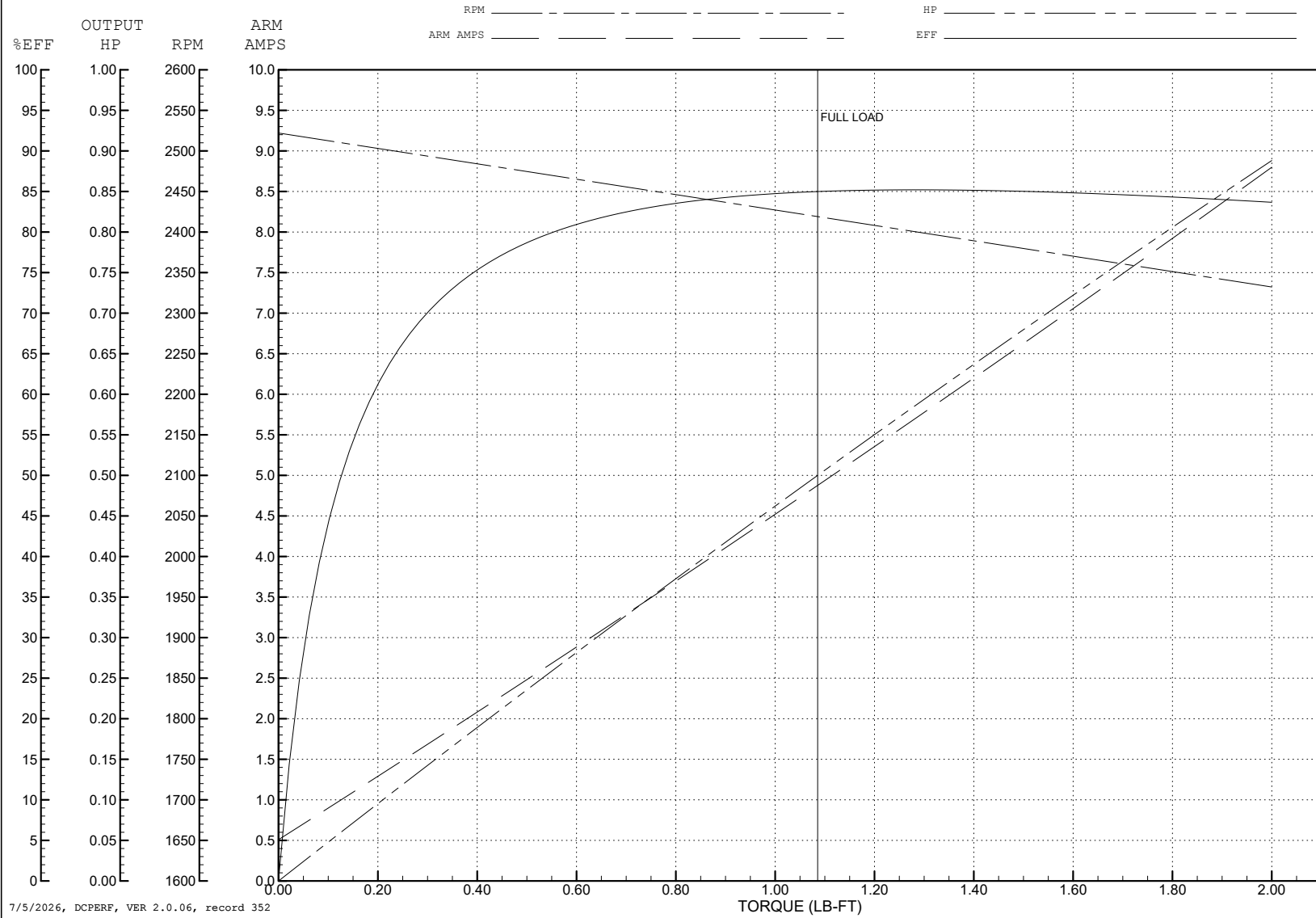
ABB Motors and Mechanical Inc.

WINDING # 33WGZ148

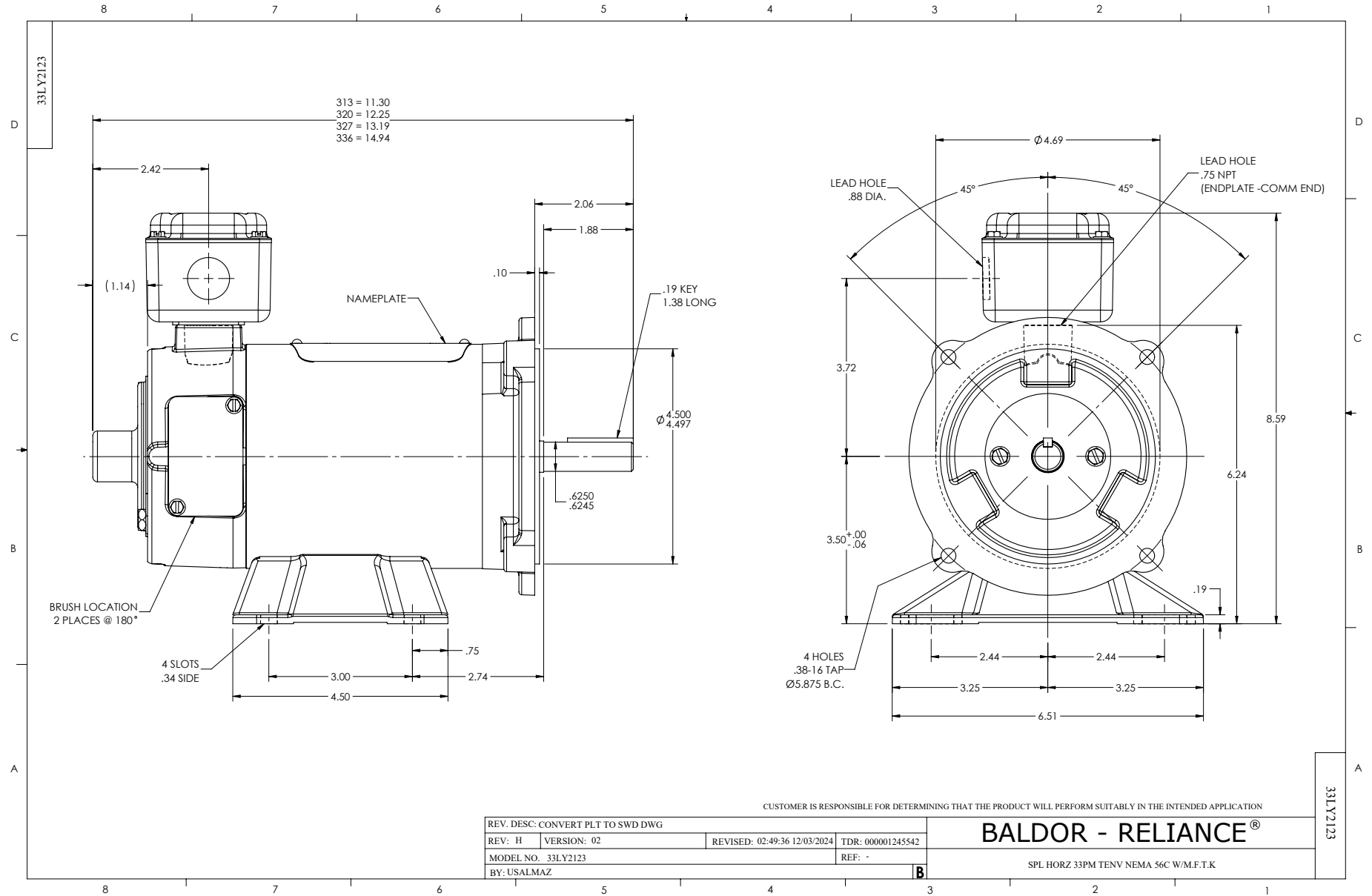
0.5 HP DC 2500 RPM 90 V 3327P

Typical performance - not guaranteed values.

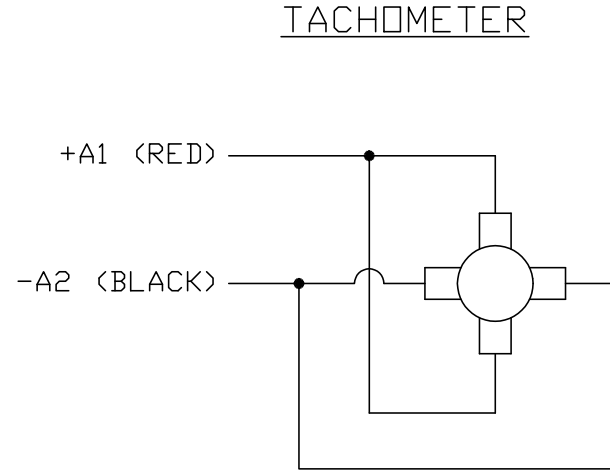
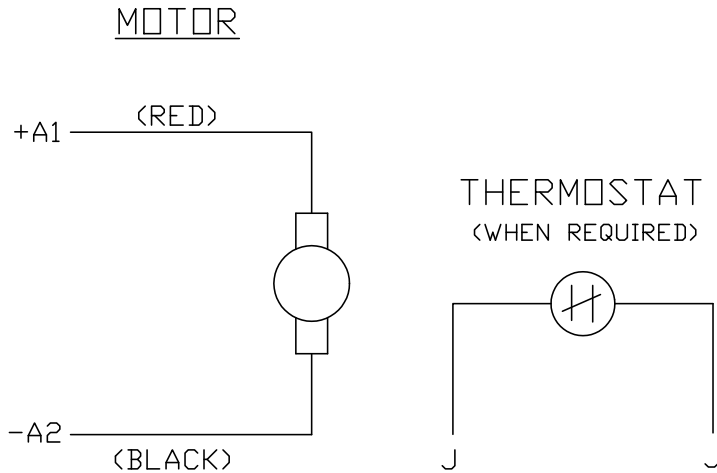
ENCL: TENV DUTY: CONT CL: F



7/5/2026, DCPERF, VER 2.0.06, record 352



CD0194



NOTES:

1. CCW ROTATION AS SHOWN FACING COMMUTATOR END. TO REVERSE MOTOR ROTATION OR TACHOMETER OUTPUT POLARITY INTERCHANGE LEADS A1(RED) & A2(BLACK)
2. LEAD COLORS FOR REFERENCE ONLY & NOT SPECIFIED BY THIS DRAWING. LEAD COLORS SPECIFIED BY LAYOUT DRAWING & BILL OF MATERIAL ONLY.

MATL: -			
REV: E	ADDED NOTE "LEAD COLORS FOR REFERENCE ONLY &..."		
761000 CD0194	SCALE: -	BY: CK	REVISED: 07/28/95
	FILE: AAA00004503	TDR: 0078737	

BALDOR ELECTRIC Co.

CD TYPE P DC PERMANENT MAGNET MOTORS AND TACHOMETERS

CD0194