

**BALDOR • RELIANCE**

---

# Customer information packet

## CDP3330

.5HP, 1750RPM, DC, 56C, 3336P, TENV, F1, N

## Specifications

Armature Voltage	90 V
Base Speed	1750 rpm
Enclosure	TENV
Frame	56C
Frame Material	Steel
Output Power	0.500 HP
Agency Approvals	CE CSA UR
Ambient Temperature	40 °C
Armature Current	4.8 a
Armature Inertia	14.047 lb-ft <sup>2</sup>
Base Indicator	Rigid
Bearing Grease Type	Polyrex EM (-20F +300F)
Drip Cover	No Drip Cover
Duty Rating	CONT
Feedback Device	NO FEEDBACK
Heater Indicator	No Heater
Lifting Lugs	No Lifting Lugs
Motor Lead Exit	Ko Box
Motor Lead Quantity/Wire Size	2 @ 18 AWG, A
Motor Lead Termination	Flying Leads
Motor Standards	NEMA
Mounting Arrangement	F1
Overall Length	14.94 IN
Product Family	General Purpose
Pulley End Bearing Type	Sealed Bearing
Service Factor	1.00
Shaft Diameter	0.625 IN
Shaft Extension Location	Pulley End
Shaft Ground Indicator	No Shaft Grounding
Shaft Rotation	Reversible

## Part detail

Revision	AF
Type	DC
Mech. spec.	33-2024
Base	
Status	PRD/A
Elec. spec.	33WGZ122
Layout	33LY2024
Eff. date	06-05-2024
CD Diagram	CD0194
Poles	00
Leads	2#18 A 4.5"(+/-0.5") LG Y
Proprietary	False
Created date	01-01-0001

**Shaft Slinger Indicator**

**No Slinger**

---

**Nameplate**

<b>NP0891L</b>					
<b>CAT.NO.</b>	CDP3330				
<b>SPEC.</b>	33-2024Z122				
<b>HP</b>	.5/KW.37	<b>ENCL</b>	TENV		
<b>RPM</b>	1750 1/MIN				
<b>FRAME</b>	56C	<b>TYPE</b>	3336P		
<b>ARM V</b>	90	<b>ARM A</b>	4.8		
<b>FLD V</b>		<b>FLD A</b>			
<b>INSUL</b>	F	<b>AMB.</b>	40		
<b>DUTY</b>	S1 CONT	<b>SUPPLY</b>	1.3		
<b>BRG/DE</b>	6203	<b>BRG/ODE</b>	6203		
<b>BRUSHES</b>	2/BP5011T01				
		<b>BLANK</b>			
<b>SER.</b>					
<b>BLANK</b>	IP44 IC410 KG14				
<b>APRV-CE</b>	Y	<b>APRV-CSA</b>	Y	<b>APRV-UL</b>	Y

**Accessories**

<b>Part number</b>	<b>Description</b>	<b>Multiplier</b>
TK3300	TACHO MOUNTING KIT TK3300	A8
TK3300-HPU	HPU10 MOUNTING KIT 33P/34P TENV	

**DC Motor Performance Data**

Record # 2408

Typical performance - not guaranteed values

<b>Winding: 33WGZ122-R001</b>		<b>Type: 3336P</b>		<b>Enclosure: TENV</b>	
<b>Nameplate Data</b>			<b>General Characteristics</b>		
<b>Rated Output (HP)</b>	0.5	<b>Armature Resistance @ 25°C</b>	1.163 Ω		
<b>R.P.M.</b>	1750	<b>Voltage Constant</b>	47.81 v/krpm		
<b>Armature Volts</b>	90	<b>Armature Inductance</b>	14.506 mH		
<b>Armature Amps</b>	4.8	<b>Armature Inertia</b>	14.05 LI <sup>2</sup>		
<b>Field Volts</b>					
<b>Field Amps</b>					
<b>Rating - Duty</b>	40C AMB-CONT				
<b>Form Factor</b>	1.3				

**Load Characteristics at 90 Armature Volts**

<b>Load Point</b>	<b>1</b>	<b>2</b>	<b>3</b>	<b>4</b>	<b>5</b>	<b>6</b>	<b>7</b>
<b>Armature Amps</b>	0.26	1.45	2.56	3.62	4.65	5.79	7
<b>R.P.M.</b>	1853	1777	1721	1658	1629	1579	1519
<b>Torque ( LB-FT )</b>	0	0.38	0.76	1.14	1.5	1.9	2.28

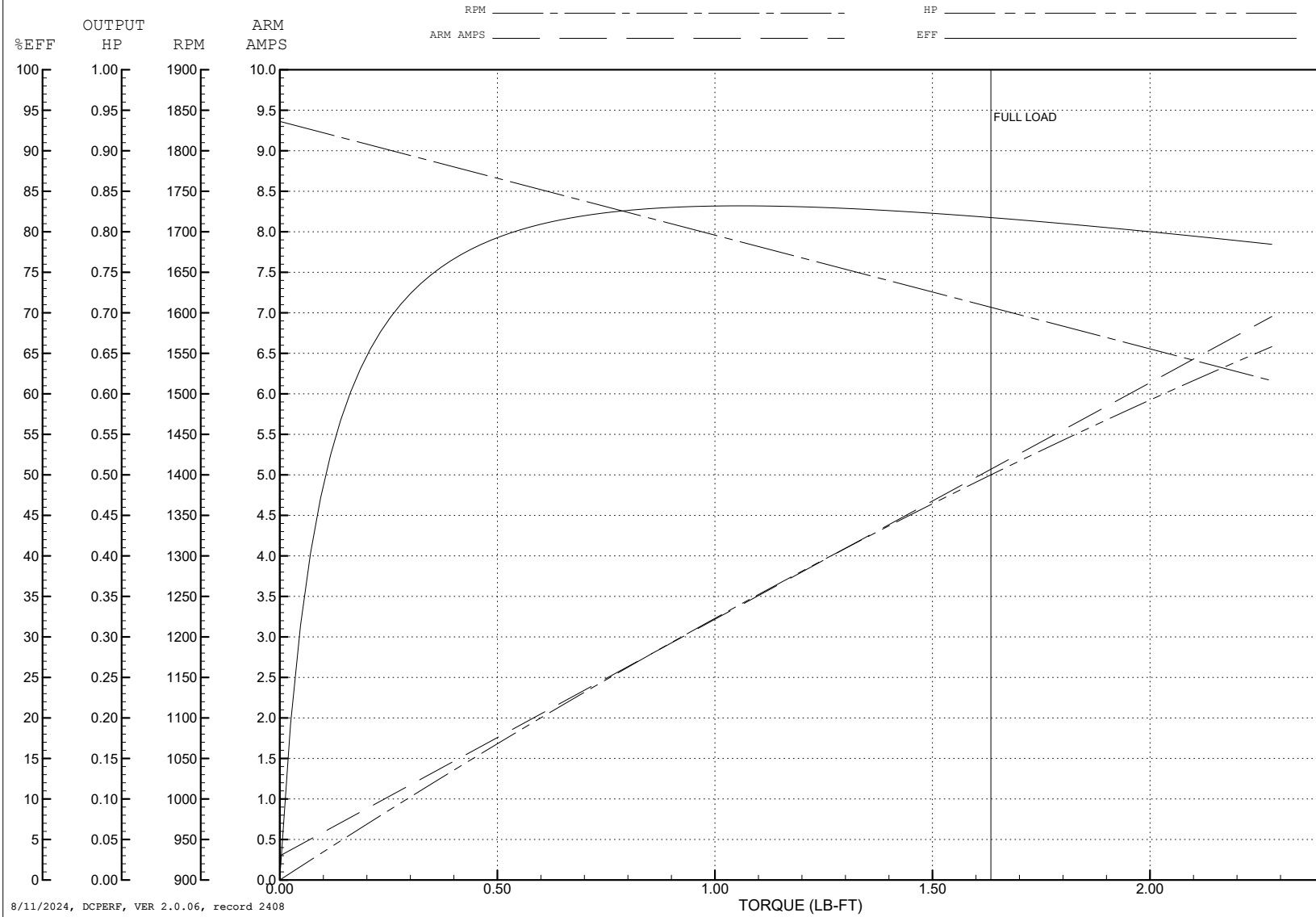
ABB Motors and Mechanical Inc.

WINDING # 33WGZ122

0.5 HP DC 1750 RPM 90 V 3336P

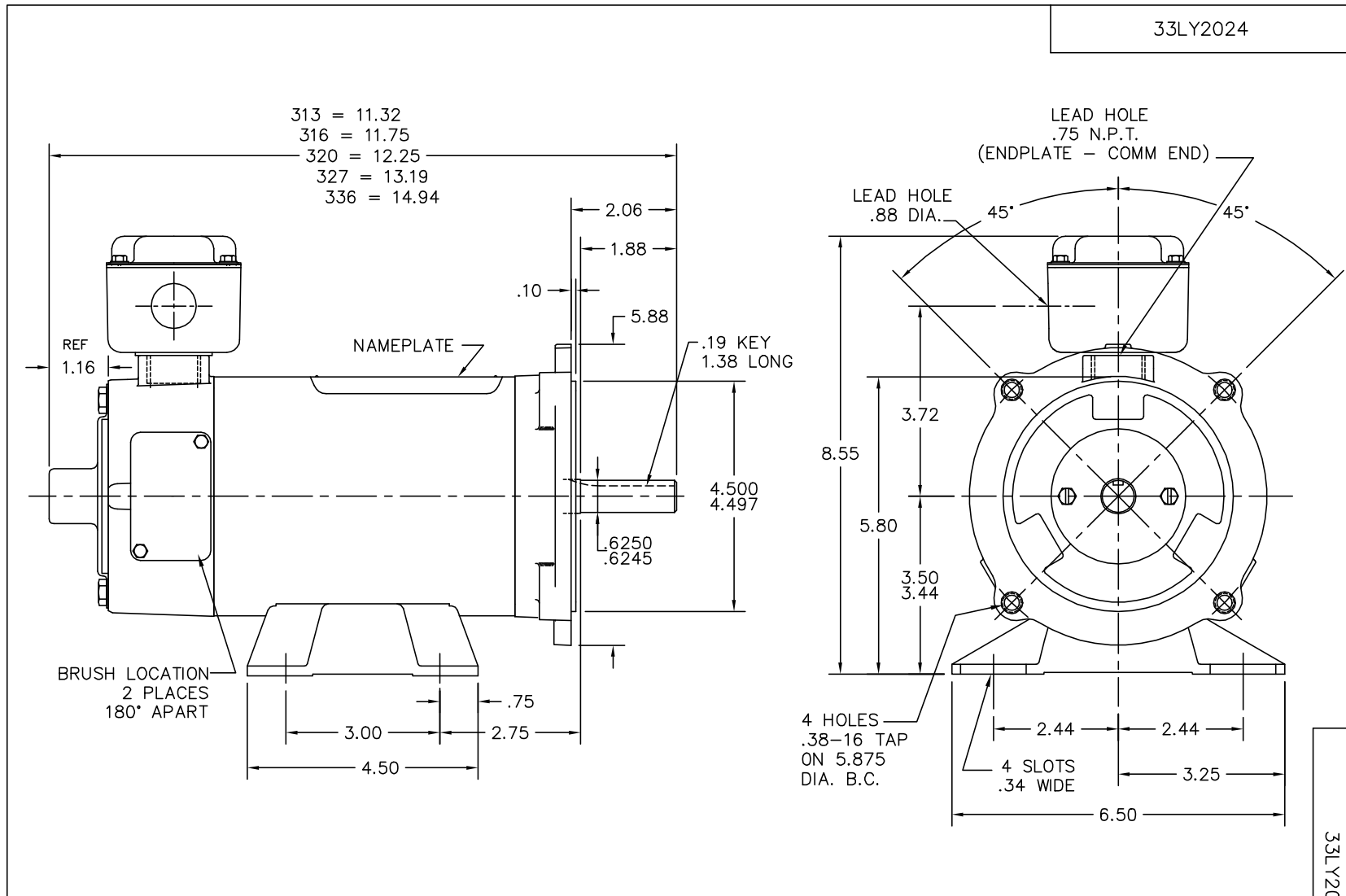
Typical performance - not guaranteed values.

ENCL: TENV DUTY: CONT CL: F



8/11/2024, DCPERF, VER 2.0.06, record 2408

33LY2024



CUSTOMER IS RESPONSIBLE FOR DETERMINING THAT BALDOR'S PRODUCT WILL PERFORM SUITABLY IN THE INTENDED APPLICATION.

REV. DESC: UPDATE LAYOUT & ADD STACK 316		
REV. LTR: K	VERSION: 02	TDR: 00000874193
FILE: \AAA\00013\646	REVISED: 10:12:04 10/06/2014	BY: ENROSTO
MTL: -	©	

**BALDOR**

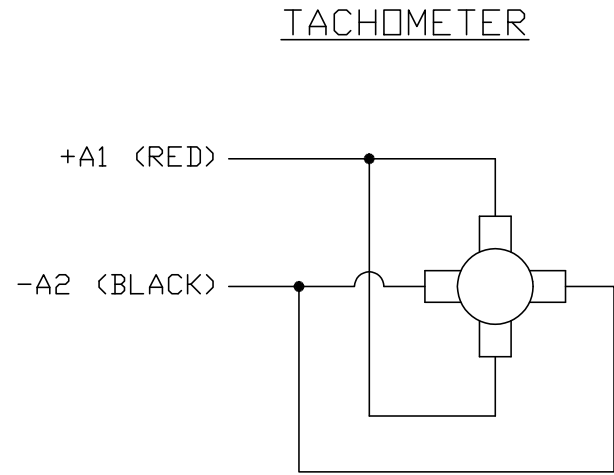
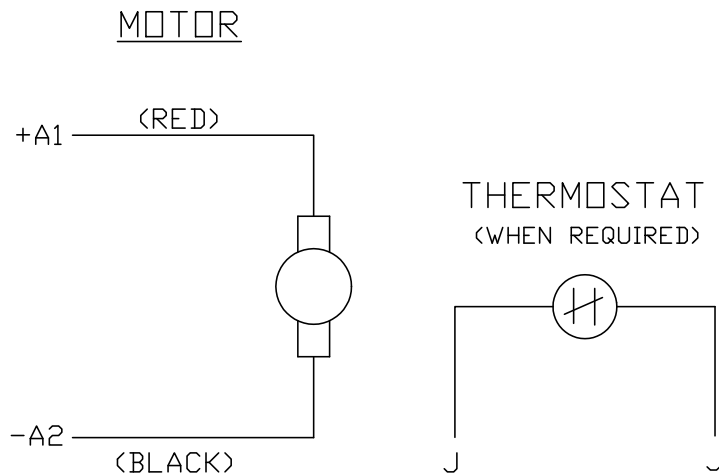
STD HORZ 33PM NEMA 56C TENV 2 POLE W/M.F.T.K

SH 1 of 1

33LY2024



CD0194



NOTES:

1. CCW ROTATION AS SHOWN FACING COMMUTATOR END. TO REVERSE MOTOR ROTATION OR TACHOMETER OUTPUT POLARITY INTERCHANGE LEADS A1(RED) & A2(BLACK)
2. LEAD COLORS FOR REFERENCE ONLY & NOT SPECIFIED BY THIS DRAWING. LEAD COLORS SPECIFIED BY LAYOUT DRAWING & BILL OF MATERIAL ONLY.

MATL: -			
REV: E	ADDED NOTE "LEAD COLORS FOR REFERENCE ONLY &..."		
CD0194	SCALE: -	BY: CK	REVISED: 07/28/95
	FILE: AAA00004503	TDR: 0078737	

**BALDOR ELECTRIC Co.**

CD TYPE P DC PERMANENT MAGNET MOTORS AND TACHOMETERS

CD0194