

BALDOR • RELIANCE

Customer information packet

CDP3326

0.5HP, RPM, DC, 56C, 3336P, TENV, F1, N

Specifications

Armature Voltage	180 V
Base Speed	1750 rpm
Enclosure	TENV
Frame	56C
Frame Material	Steel
Output Power	0.500 HP
Agency Approvals	CE CSA UR
Ambient Temperature	40 °C
Armature Current	2.5 a
Armature Inertia	8.424 lb-ft ²
Base Indicator	Rigid
Bearing Grease Type	Polyrex EM (-20F +300F)
Drip Cover	No Drip Cover
Duty Rating	CONT
Feedback Device	NO FEEDBACK
Heater Indicator	No Heater
Lifting Lugs	No Lifting Lugs
Motor Lead Exit	Ko Box
Motor Lead Quantity/Wire Size	2 @ 18 AWG, A
Motor Lead Termination	Flying Leads
Motor Standards	NEMA
Mounting Arrangement	F1
Overall Length	14.94 IN
Product Family	General Purpose
Pulley End Bearing Type	Sealed Bearing
RoHS Status	ROHS COMPLIANT
Service Factor	1.00
Shaft Diameter	0.625 IN
Shaft Extension Location	Pulley End
Shaft Ground Indicator	No Shaft Grounding

Part detail

Revision	AH
Type	DC
Mech. spec.	33-2051
Base	
Status	PRD/A
Elec. spec.	33WGZ139
Layout	33LY2051
Eff. date	10-24-2024
CD Diagram	CD0194
Poles	00
Leads	2#18 A Y
Proprietary	False
Created date	01-01-0001

Shaft Rotation

Reversible

Shaft Slinger Indicator

No Slinger

Nameplate

NP0891L					
CAT.NO.	CDP3326				
SPEC.	33-2051Z139				
HP	.5/.37KW	ENCL	TENV		
RPM	1750 1/MIN				
FRAME	56C	TYPE	3336P		
ARM V	180	ARM A	2.5		
FLD V		FLD A			
INSUL	F	AMB.	40		
DUTY	S1 CONT	SUPPLY	1.3		
BRG/DE	6203	BRG/ODE	6203		
BRUSHES	2/BP5011CV01				
		BLANK			
SER.					
BLANK	IP44 IC410 14KG				
APRV-CE	Y	APRV-CSA	Y	APRV-UL	Y

Accessories

Part number	Description	Multiplier
TK3300	TACHO MOUNTING KIT TK3300	A8
TK3300-HPU	HPU10 MOUNTING KIT 33P/34P TENV	

DC Motor Performance Data

Record # 2018

Typical performance - not guaranteed values

Winding: 33WGZ139-R010		Type: 3336P		Enclosure: TENV	
Nameplate Data			General Characteristics		
Rated Output (HP)	0.5	Armature Resistance @ 25°C	3.08 Ω		
R.P.M.	1750	Voltage Constant	95.88 v/krpm		
Armature Volts	180	Armature Inductance	28.39697 mH		
Armature Amps	2.5	Armature Inertia	8.4241 LI ²		
Field Volts					
Field Amps					
Rating - Duty	40C AMB-CONT				
Form Factor	1.3				

Load Characteristics at 180 Armature Volts

Load Point	1	2	3	4	5	6	7
Armature Amps	0.15	0.65	1.2	1.7	2.2	2.7	3.2
R.P.M.	1880	1848	1831	1803	1781	1762	1745
Torque (LB-FT)	0	0.365	0.752	1.117	1.504	1.869	2.234

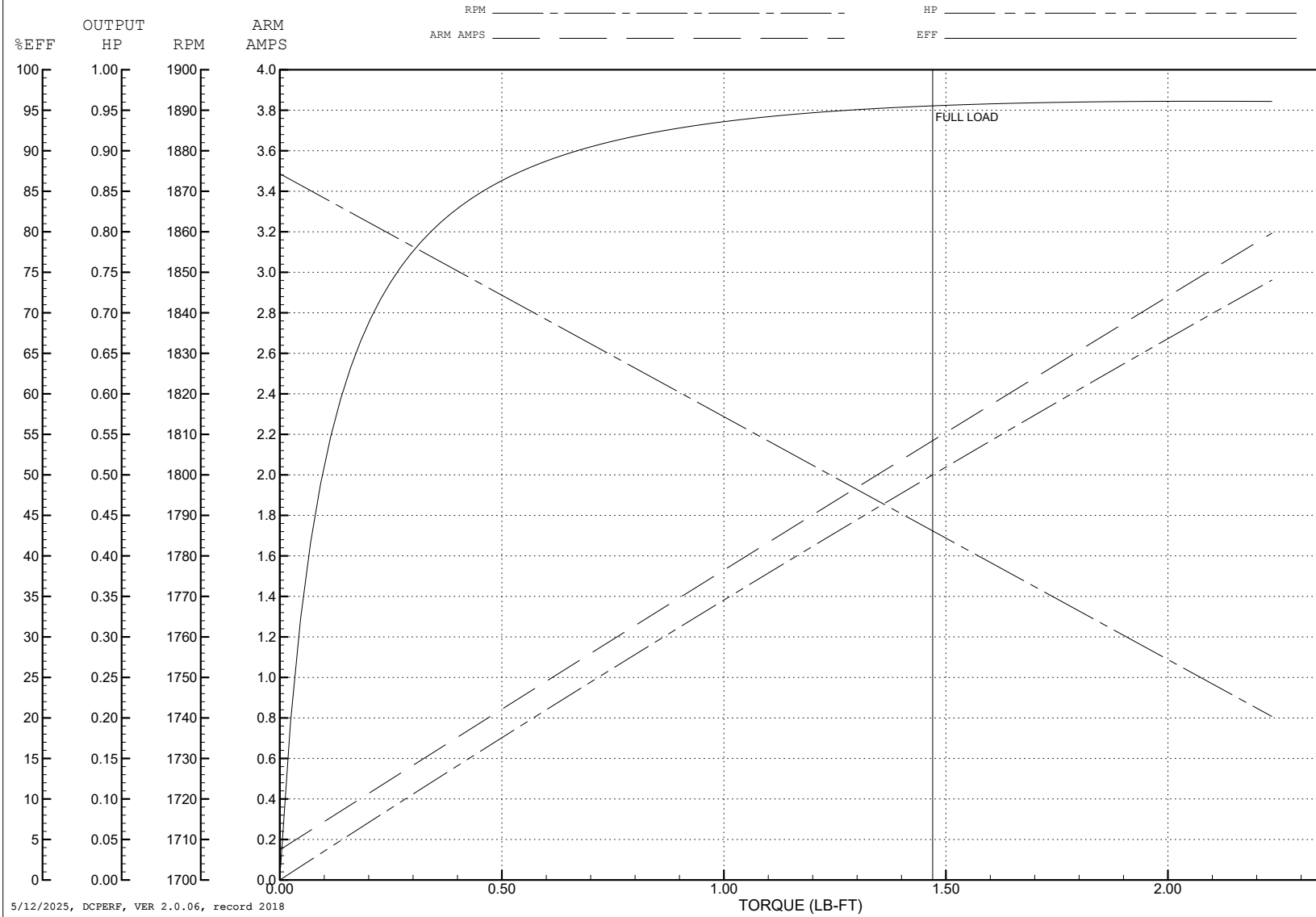
ABB Motors and Mechanical Inc.

WINDING # 33WGZ139

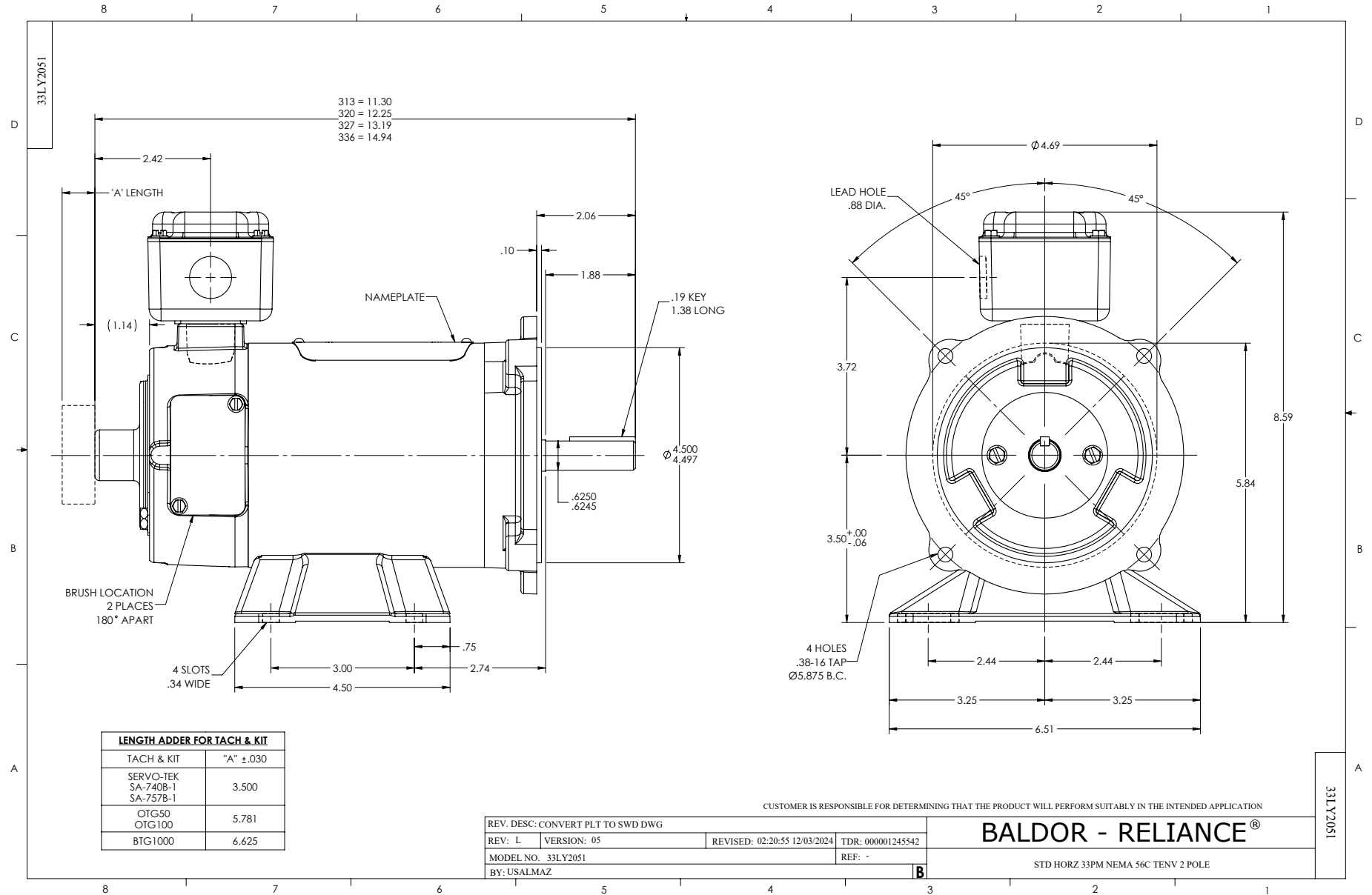
0.5 HP DC 1750 RPM 180 V 3336P

Typical performance - not guaranteed values.

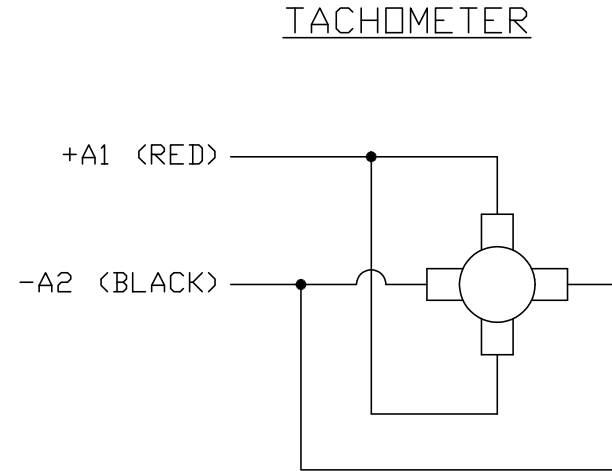
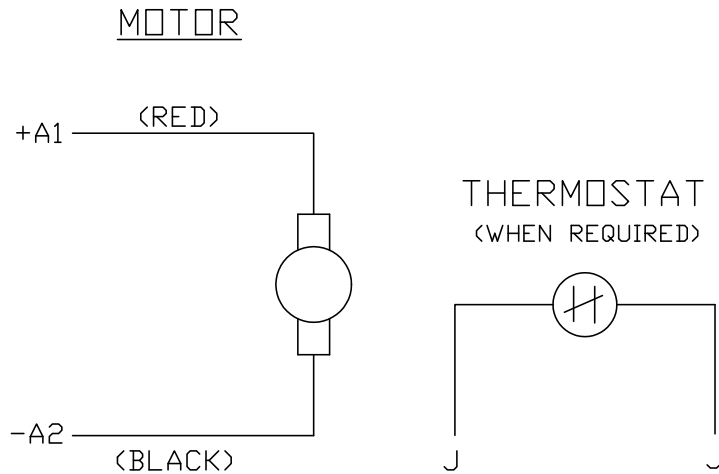
ENCL: TENV DUTY: CONT CL: F



5/12/2025, DCPERF, VER 2.0.06, record 2018



CD0194



NOTES:

1. CCW ROTATION AS SHOWN FACING COMMUTATOR END. TO REVERSE MOTOR ROTATION OR TACHOMETER OUTPUT POLARITY INTERCHANGE LEADS A1(RED) & A2(BLACK)
2. LEAD COLORS FOR REFERENCE ONLY & NOT SPECIFIED BY THIS DRAWING. LEAD COLORS SPECIFIED BY LAYOUT DRAWING & BILL OF MATERIAL ONLY.

MATL: -			
REV: E	ADDED NOTE "LEAD COLORS FOR REFERENCE ONLY &..."		
CD0194	SCALE: -	BY: CK	REVISED: 07/28/95
	FILE: AAA00004503	TDR: 0078737	

BALDOR ELECTRIC Co.

CD TYPE P DC PERMANENT MAGNET MOTORS AND TACHOMETERS

CD0194