

**BALDOR • RELIANCE**

---

# Customer information packet

## CDP3320

.33HP, 1750RPM, DC, 56C, 3327P, TENV, F1, N

## Specifications

Armature Voltage	90 V
Base Speed	1750 rpm
Enclosure	TENV
Frame	56C
Frame Material	Steel
Output Power	0.330 HP
Agency Approvals	CE CSA UR
Ambient Temperature	40 °C
Armature Current	3.2 a
Armature Inertia	10.535 lb-ft <sup>2</sup>
Base Indicator	Rigid
Bearing Grease Type	Polyrex EM (-20F +300F)
Drip Cover	No Drip Cover
Duty Rating	CONT
Feedback Device	NO FEEDBACK
Heater Indicator	No Heater
Lifting Lugs	No Lifting Lugs
Motor Lead Exit	Ko Box
Motor Lead Quantity/Wire Size	2 @ 18 AWG, A
Motor Lead Termination	Flying Leads
Motor Standards	NEMA
Mounting Arrangement	F1
Overall Length	13.19 IN
Product Family	General Purpose
Pulley End Bearing Type	Sealed Bearing
Service Factor	1.00
Shaft Diameter	0.625 IN
Shaft Extension Location	Pulley End
Shaft Ground Indicator	No Shaft Grounding
Shaft Rotation	Reversible

## Part detail

Revision	AB
Type	DC
Mech. spec.	33-2024
Base	
Status	PRD/A
Elec. spec.	33WGZ102
Layout	33LY2024
Eff. date	09-08-2023
CD Diagram	CD0194
Poles	00
Leads	2#18 A Y
Proprietary	False
Created date	01-01-0001

**Shaft Slinger Indicator**

**No Slinger**

---

**Nameplate**

<b>NP0891L</b>					
<b>CAT.NO.</b>	CDP3320				
<b>SPEC.</b>	33-2024Z102				
<b>HP</b>	.33/KW.25	<b>ENCL</b>	TENV		
<b>RPM</b>	1750 1/MIN IP44 IC410 KG12				
<b>FRAME</b>	56C	<b>TYPE</b>	3327P		
<b>ARM V</b>	90	<b>ARM A</b>	3.2		
<b>FLD V</b>		<b>FLD A</b>			
<b>INSUL</b>	F	<b>AMB.</b>	40		
<b>DUTY</b>	CONT	<b>SUPPLY</b>	1.3		
<b>BRG/DE</b>	6203	<b>BRG/ODE</b>	6203		
<b>BRUSHES</b>	2/BP5011T01				
		<b>BLANK</b>			
<b>SER.</b>					
<b>BLANK</b>					
<b>APRV-CE</b>	Y	<b>APRV-CSA</b>	Y	<b>APRV-UL</b>	Y

**Accessories**

<b>Part number</b>	<b>Description</b>	<b>Multiplier</b>
TK3300	TACHO MOUNTING KIT TK3300	A8
TK3300-HPU	HPU10 MOUNTING KIT 33P/34P TENV	

**DC Motor Performance Data**

Record # 208

Typical performance - not guaranteed values

<b>Winding: 33WGZ102-R001</b>		<b>Type: 3327P</b>	<b>Enclosure: TENV</b>
<b>Nameplate Data</b>		<b>General Characteristics</b>	
Rated Output (HP)	0.33		
R.P.M.	1750		
Armature Volts	90		
Armature Amps	3.2		
Field Volts			
Field Amps			
Rating - Duty	40C AMB-CONT		
Form Factor	1.3		

**Load Characteristics at 90 Armature Volts**

<b>Load Point</b>	<b>1</b>	<b>2</b>	<b>3</b>	<b>4</b>	<b>5</b>	<b>6</b>	<b>7</b>
Armature Amps	0.25	0.85	1.55	2.25	2.9	3.3	4.2
R.P.M.	1831	1796	1745	1703	1665	1627	1592
Torque ( LB-FT )	0	0.23	0.49	0.74	0.99	1.23	1.47

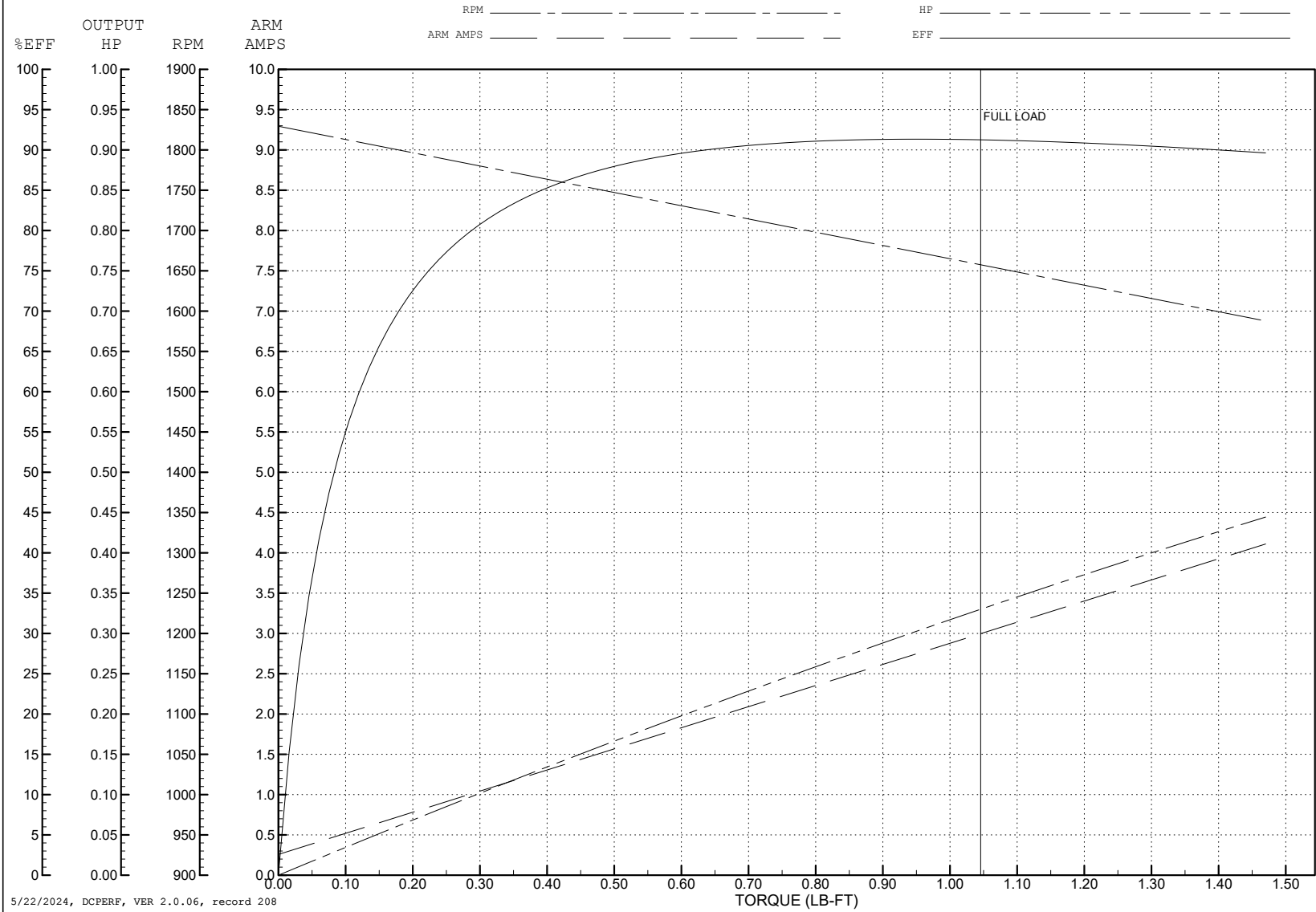
ABB Motors and Mechanical Inc.

WINDING # 33WGZ102

0.33 HP DC 1750 RPM 90 V 3327P

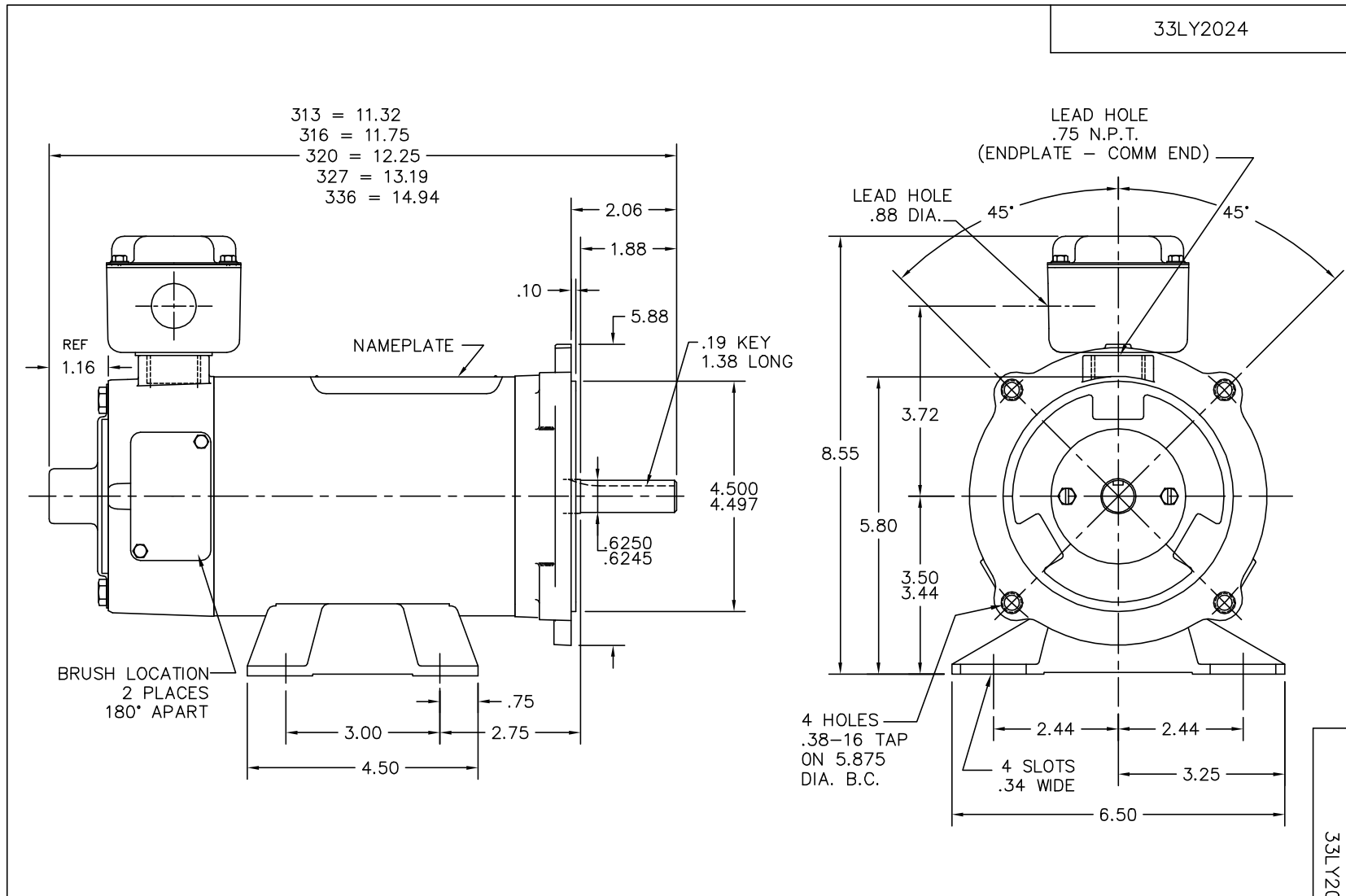
Typical performance - not guaranteed values.

ENCL: TENV DUTY: CONT CL: F



5/22/2024, DCPERF, VER 2.0.06, record 208

33LY2024



CUSTOMER IS RESPONSIBLE FOR DETERMINING THAT BALDOR'S PRODUCT WILL PERFORM SUITABLY IN THE INTENDED APPLICATION.

REV. DESC: UPDATE LAYOUT & ADD STACK 316		
REV. LTR: K	VERSION: 02	TDR: 00000874193
FILE: \AAA\00013\646	REVISED: 10:12:04 10/06/2014	BY: ENRSTO
MTL: -	©	

**BALDOR**

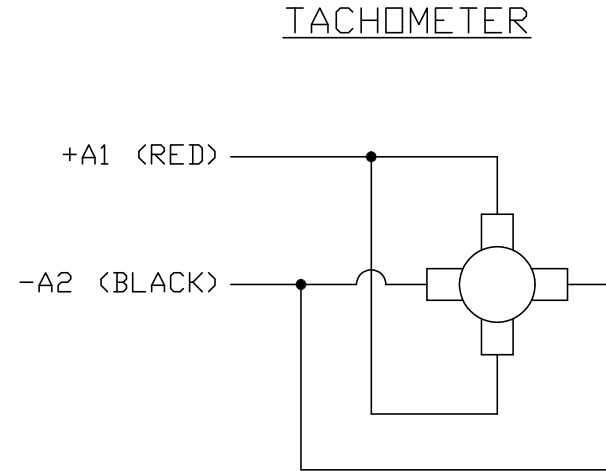
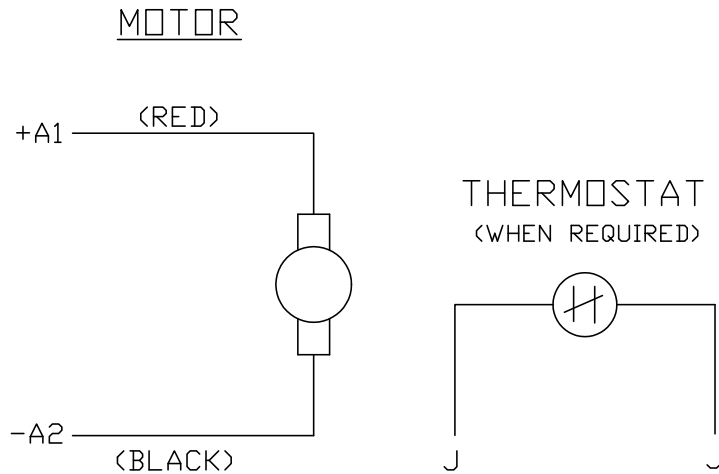
STD HORZ 33PM NEMA 56C TENV 2 POLE W/M.F.T.K

SH 1 of 1

33LY2024



CD0194



NOTES:

1. CCW ROTATION AS SHOWN FACING COMMUTATOR END. TO REVERSE MOTOR ROTATION OR TACHOMETER OUTPUT POLARITY INTERCHANGE LEADS A1(RED) & A2(BLACK)
2. LEAD COLORS FOR REFERENCE ONLY & NOT SPECIFIED BY THIS DRAWING. LEAD COLORS SPECIFIED BY LAYOUT DRAWING & BILL OF MATERIAL ONLY.

MATL: -			
REV: E	ADDED NOTE "LEAD COLORS FOR REFERENCE ONLY &..."		
761000 CD0194	SCALE: -	BY: CK	REVISED: 07/28/95
	FILE: AAA00004503	TDR: 0078737	

**BALDOR ELECTRIC Co.**

CD TYPE P DC PERMANENT MAGNET MOTORS AND TACHOMETERS

CD0194