

BALDOR® • RELIANCE™

Customer information packet

CDP3310

.25HP, 1750RPM, DC, 56C, 3320P, TENV, F1

Specifications

Armature Voltage	90 V
Base Speed	1750 rpm
Enclosure	TENV
Frame	56C
Frame Material	Steel
Output Power	0.250 HP
Agency Approvals	CE CSA UR
Ambient Temperature	40 °C
Armature Current	2.5 a
Armature Inertia	7.804 lb-ft ²
Base Indicator	Rigid
Bearing Grease Type	Polyrex EM (-20F +300F)
Drip Cover	No Drip Cover
Duty Rating	CONT
Feedback Device	NO FEEDBACK
Heater Indicator	No Heater
Lifting Lugs	No Lifting Lugs
Motor Lead Exit	Ko Box
Motor Lead Quantity/Wire Size	2 @ 18 AWG, A
Motor Lead Termination	Flying Leads
Motor Standards	NEMA
Mounting Arrangement	F1
Overall Length	12.25 IN
Product Family	General Purpose
Pulley End Bearing Type	Sealed Bearing
RoHS Status	ROHS COMPLIANT
Service Factor	1.00
Shaft Diameter	0.625 IN
Shaft Extension Location	Pulley End
Shaft Ground Indicator	No Shaft Grounding

Part detail

Revision	AH
Type	DC
Mech. spec.	33-2024
Base	
Status	PRD/A
Elec. spec.	33WGZ118
Layout	33LY2024
Eff. date	10-24-2024
CD Diagram	CD0194
Poles	00
Leads	2#18 A 4.5"(+/-0.5") LG Y
Proprietary	False
Created date	01-01-0001

Shaft Rotation

Reversible

Shaft Slinger Indicator

No Slinger

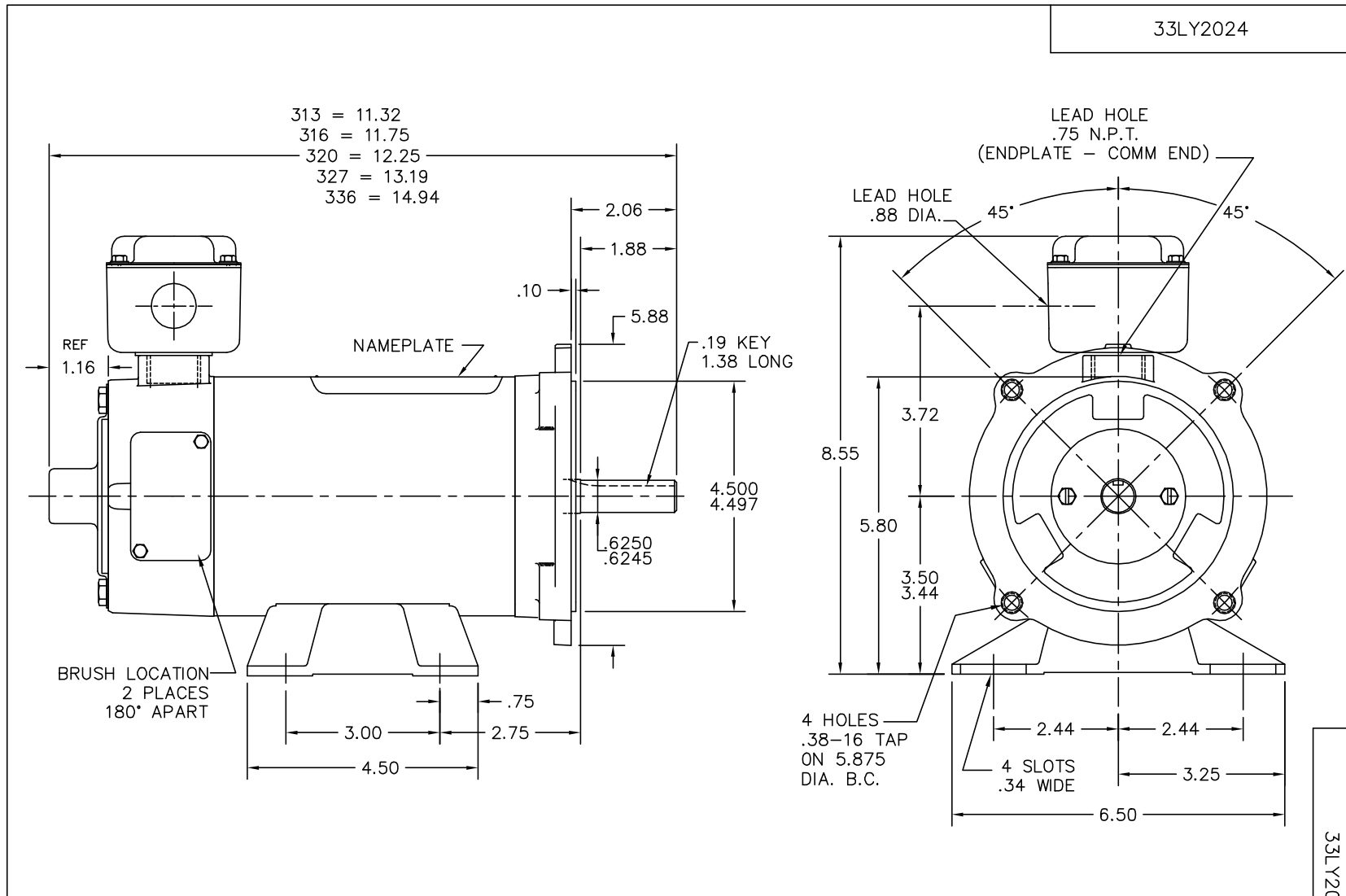
Nameplate

NP0891L					
CAT.NO.	CDP3310				
SPEC.	33-2024Z118				
HP	.25/KW.18	ENCL	TENV		
RPM	1750 1/MIN IC410				
FRAME	56C	TYPE	3320P		
ARM V	90	ARM A	2.5		
FLD V		FLD A			
INSUL	F	AMB.	40		
DUTY	S1 CONT	SUPPLY	1.3		
BRG/DE	6203	BRG/ODE	6203		
BRUSHES	2/BP5011T01				
		BLANK	IP44 KG11		
SER.					
BLANK					
APRV-CE	Y	APRV-CSA	Y	APRV-UL	Y

Accessories

Part number	Description	Multiplier
TK3300	TACHO MOUNTING KIT TK3300	A8
TK3300-HPU	HPU10 MOUNTING KIT 33P/34P TENV	

33LY2024



CUSTOMER IS RESPONSIBLE FOR DETERMINING THAT BALDOR'S PRODUCT WILL PERFORM SUITABLY IN THE INTENDED APPLICATION.

REV. DESC: UPDATE LAYOUT & ADD STACK 316		
REV. LTR: K	VERSION: 02	TDR: 00000874193
FILE: \AAA\00013\646	REVISED: 10:12:04 10/06/2014	BY: ENRSTO
MTL: -	©	

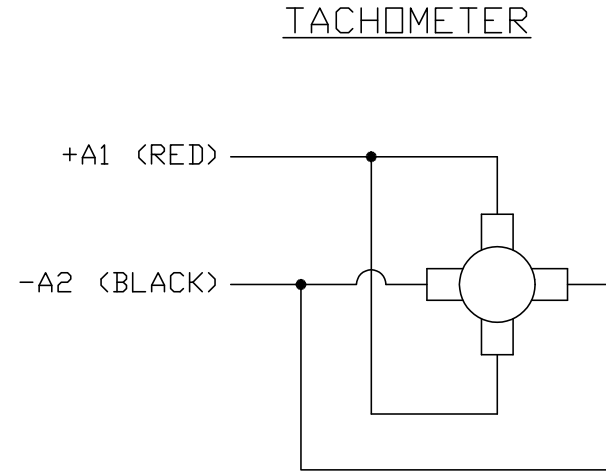
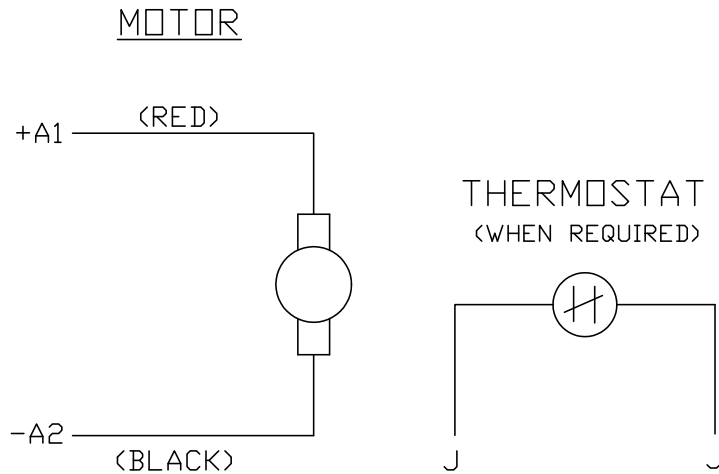
BALDOR

STD HORZ 33PM NEMA 56C TENV 2 POLE W/M.F.T.K

SH 1 of 1

33LY2024

CD0194



NOTES:

1. CCW ROTATION AS SHOWN FACING COMMUTATOR END. TO REVERSE MOTOR ROTATION OR TACHOMETER OUTPUT POLARITY INTERCHANGE LEADS A1(RED) & A2(BLACK)
2. LEAD COLORS FOR REFERENCE ONLY & NOT SPECIFIED BY THIS DRAWING. LEAD COLORS SPECIFIED BY LAYOUT DRAWING & BILL OF MATERIAL ONLY.

MATL: -			
REV: E	ADDED NOTE "LEAD COLORS FOR REFERENCE ONLY &..."		
CD0194	SCALE: -	BY: CK	REVISED: 07/28/95
	FILE: AAA00004503	TDR: 0078737	

BALDOR ELECTRIC Co.

CD TYPE P DC PERMANENT MAGNET MOTORS AND TACHOMETERS

CD0194