

ABB BALDOR RELIANCE III



Customer information packet CDMG2325

0328ATC, 25KWKW, 1750RPM, 230, 230, DPGF, F2

Specifications

Armature Voltage	230 V
Base Speed	1750 rpm
Enclosure	DPFG
Field Voltage	230 V
Frame	328ATC
Output Power	25.000 KW
Agency Approvals	CSA
Ambient Temperature	40 °C
Armature Current	109.0 a
Drip Cover	No Drip Cover
Duty Rating	CONT
Feedback Device	NO FEEDBACK
Field Winding Type	COMPOUND
Heater Indicator	No Heater
Insulation Class	F
Lifting Lugs	Standard Lifting Lugs
Motor Standards	NEMA
Mounting Arrangement	F2
Overall Length	34.63 IN
Service Factor	1.00
Shaft Diameter	2.125 IN
Shaft Ground Indicator	No Shaft Grounding
Shaft Slinger Indicator	No Slinger
Thermal Device - Bearing	None

Part Detail

Revision	D
Type	DC
Mech. spec.	
Base	
Status	PRD/A
Elec. spec.	K0086A
Layout	2056
Eff. date	10-03-2023
CD Diagram	
Poles	00
Leads	
Proprietary	False
Created date	11-21-2019

Nameplate

15405

CAT.NO.	CDMG2325	MODEL NO.	T32S8012		
KW	25KW	RPM	1750	FRAME	0328ATC
ARM VOLTS	230	ARM AMPS	109.00	WOUND	COMPOUND
FIELD VOLTS	230	FIELD AMPS	2.13-1.30/1.11-.65		
FIELD CONN.		OHMS	72.8	INSUL. CLASS	F
ENCL	DPFG	DUTY	CONT	MAX AMBIENT	40
SERVICE FACTOR	1.0				
S/N		E/S	K0086A		
	BRUSH:28610-1				
O.D.E. BRG.	6210	D.E. BRG.	6211	BRUSH	28610.1
				QTY	4

REL S.O.	FRAME	RATING	RPM	ARM. VOLTS	ARM. AMPS	
	328	25.0HP	1750	230	109	
WINDING TYPE		S.F.	ENCL.	AMB °C/INSUL	DUTY	FIELD VOLTS
STAB. SHUNT		1.0	DPG	40/F	CONT	230
POWER CODE	TYPE	WK ² (LB-FT ²)	HOT ARM.CIR.RES.	FLD. AMPS@25 °C	HOT FIELD RES	
A	T	7.377	.122	3.16	107	
ARM. CIR. IND. (mh)	FIELD IND. (H)	COOLING AIR(CFM/IN H ² O)		URNS PER COIL SHUNT/SERIES	TEST DATE	
2.27	102	-/-		2000/3	-	
LOAD PERFORMANCE						
LOAD	AMPERES	TORQUE IN OZ.-FT.	OUTPUT IN HP	RPM	% EFFICIENCY	
NO LOAD	472	0	0	1531	0	
1/4	27	0	0	1502	0	
2/4	55	0	0	1472	0	
3/4	82	0	0	1443	0	
4/4	109	0	0	1418	0	
O.L.	164	0	0	1374	0	
RPM VS. FIELD AMPS						
FIELD AMPS	RPM N.L.	RPM F.L.	Eg VS. FIELD AMPS			
			Eg N.L. @ BASE SPEED	Eg F.L. @ BASE SPEED		
2.13	1530	1417	261	259		
1.91	1573	1668	256	251		
1.68	1647	1726	244	240		
1.46	1775	1815	227	224		
1.24	1981	1950	202	203		

REMARKS: TYPICAL DATA

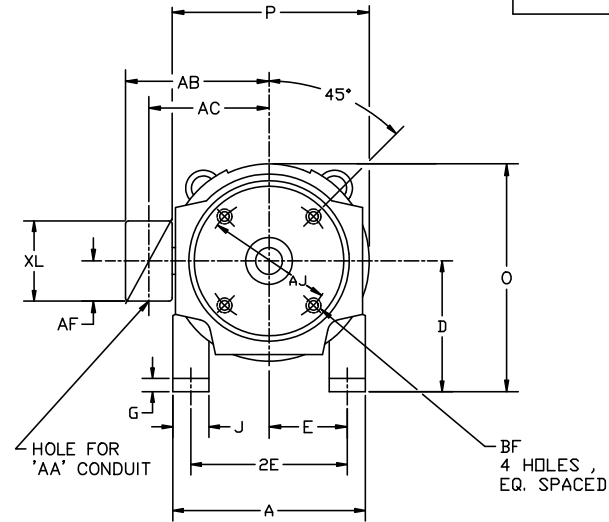
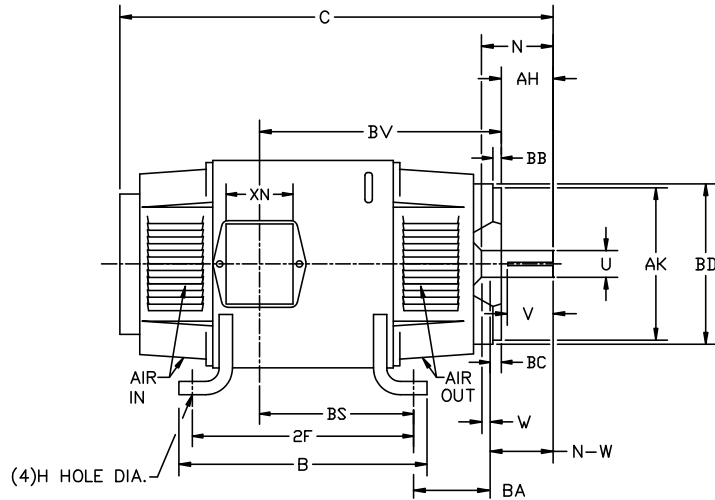


DR. BY E.H. GILLOT
 CK. BY B. GRANT
 APP. BY R. ERLACHER
 DATE 05-14-09

**D-C MOTOR
PERFORMANCE
DATA**

DK0086A
 ISSUE DATE 05-14-09

2056



FRAME	FOOT MOUNTING							D.E. SHAFT EXTENSION										DRIVE KEY		FRAME							
	BA	E	2F	G	H	J	AH	AJ	AK	BS MIN.	BC	BD	THREAD	BF DEEP	N	N-W	U	V	W	KEY-SQ.	KEY-LONG	A	B	C	D	O	P
1810AT	2.75	3.75	11.00	.38	.406	1.50	2.125	7.250	8.500	.25	—	8.69	1/2-13	.75	2.90	2.77	1.125 ¹	2.50 ³	.13	.250	1.38	12.25	12.25	21.46	4.50 ²	9.00	9.00
219AT	3.50	4.25	11.00	.50	.406	2.00	2.50	7.250	8.500	.24	.25	8.75	1/2-13	1.00	3.00	2.75	1.375 ¹	2.50 ³	.25	.312	1.75	12.00	12.00	24.50	5.25 ²	10.47	10.44
258AT	4.25	5.00	12.50	.69	.531	2.25	3.00	7.250	8.500	.27	.25	8.75	1/2-13	.97	3.44	3.25	1.625 ¹	3.00 ³	.19	.375	2.31	12.38	14.00	26.50	6.25 ²	12.47	12.44
259AT	4.25	5.00	14.00	.69	.531	2.25	3.00	7.250	8.500	.27	.25	8.75	1/2-13	.97	3.44	3.25	1.625 ¹	3.00 ³	.19	.375	2.31	15.50	15.50	28.00	6.25 ²	12.47	12.44
288AT	4.75	5.50	14.00	.69	.531	2.50	3.50	9.000	10.500	.25	.25	10.75	1/2-13	.75	3.91	3.75	1.875 ¹	3.50 ³	.16	.500	2.50	15.62	15.62	32.00	7.00 ²	13.88	13.75
328AT	5.25	6.25	16.00	.81	.656	3.00	4.00	11.000	12.500	.25	.25	12.75	5/8-11	.88	4.40	4.25	2.125 ¹	4.00 ³	.15	.500	3.12	17.75	17.75	34.63	8.00 ²	15.94	15.88
329AT	5.25	6.25	18.00	.81	.656	3.00	4.00	11.000	12.500	.25	.25	12.75	5/8-11	.88	4.40	4.25	2.125 ¹	4.00 ³	.15	.500	3.12	19.75	19.75	36.63	8.00 ²	15.94	15.88

FRAME	CONDUIT BOX							APPROXIMATE WEIGHT
	AA	AB	AC	AF	BS	XL	XN	
1810AT	3/4NPT	INTEGRAL WITH ENDPLATE						195
219AT	3/4-1	7.91	6.44	2.44	9.38	3.81	3.12	260
258AT	1-1/4	9.35	7.72	2.94	9.75	4.94	4.00	366
259AT	1-1/4	9.35	7.72	2.94	11.25	4.94	4.00	411
288AT	1-1/4	11.88	9.25	5.00	12.64	7.88	5.25	566
328AT	2	12.94	10.32	5.00	13.68	7.88	5.25	775
329AT	2	12.94	10.32	5.00	15.68	7.88	5.25	884

- 1) SHAFT DIAMETERS TO 1.500 TOLERANCE +.0000 - .0005
SHAFT DIAMETERS ABOVE 1.500 TOLERANCE +.0000 - .0010
SHAFT DIAMETERS TO 1.625 RUNOUT .002 T.I.R. MAX.
SHAFT DIAMETERS ABOVE 1.625 RUNOUT .003 T.I.R. MAX.
- 2) 'D' DIMENSION TOLERANCE +.000 - .030
- 3) 'V' DIMENSION IS MAX. HUB LENGTH ON SHAFT
- 4) CONDUIT BOX CAN BE ROTATED IN 90° STEPS ON ITS OWN AXIS.
- 5) ALL DIMENSIONS NOT NOTED ARE NOMINAL DIMENSIONS CONSULT FACTORY FOR TOLERANCES.

MATL:	—		
REV:	—	NEW DWG. RELEASE	
990Z	SCALE: —	BY: MBT	REVISED: 07/28/95
	FILE: CHB00004002	TDR: 0078613	

BALDOR ELECTRIC Co.

DIM SHEET, 1810ATC THRU 329ATC GENERATORS

2056