

ABB BALDOR RELIANCE III



Customer information packet CDMG2315

0259ATC, 15KWKW, 1750RPM, 230, 230, DPGF, F2

Specifications

Armature Voltage	230 V
Base Speed	1750 rpm
Enclosure	DPFG
Field Voltage	230 V
Output Power	15.000 KW
Agency Approvals	CSA
Ambient Temperature	40 °C
Armature Current	65.0 a
Drip Cover	No Drip Cover
Duty Rating	CONT
Feedback Device	NO FEEDBACK
Field Winding Type	COMPOUND
Heater Indicator	No Heater
Insulation Class	F
Lifting Lugs	Standard Lifting Lugs
Motor Standards	NEMA
Mounting Arrangement	F2
Overall Length	28.00 IN
Service Factor	1.00
Shaft Diameter	1.625 IN
Shaft Ground Indicator	No Shaft Grounding
Shaft Slinger Indicator	No Slinger
Thermal Device - Bearing	None

Part Detail

Revision	D
Type	DC
Mech. spec.	
Base	
Status	PRD/A
Elec. spec.	K0041A
Layout	2056
Eff. date	10-22-2021
CD Diagram	
Poles	00
Leads	
Proprietary	False
Created date	11-21-2019

Nameplate

15405										
CAT.NO.		MODEL NO.	T25S8010							
KW	15KW	RPM	1750	FRAME	0259ATC					
ARM VOLTS	230	ARM AMPS	65.00	WOUND	COMPOUND					
FIELD VOLTS	230	FIELD AMPS	2.00-1.33							
FIELD CONN.		OHMS	115.0	INSUL. CLASS	F					
ENCL	DPFG	DUTY	CONT	MAX AMBIENT	40					
SERVICE FACTOR	1.0									
S/N		E/S	K0041A							
	BRUSH:150986-25-1									
O.D.E. BRG.	6207	D.E. BRG.	6209	BRUSH	150986-25-1				QTY	4

REL S.O.	FRAME	RATING	RPM	ARM. VOLTS	ARM. AMPS	
	259	15.0HP	1750	230	65.0	
WINDING TYPE		S.F.	ENCL.	AMB °C/INSUL	DUTY	FIELD VOLTS
STAB. SHUNT		1.0	DPG	40/F	CONT	230
POWER CODE	TYPE	WK ² (LB-FT ²)	HOT ARM.CIR.RES.	FLD. AMPS@25 °C	HOT FIELD RES	
D	T	2.686	.401	2.00	172	
ARM. CIR. IND. (mh)	FIELD IND. (H)	COOLING AIR (CFM/IN H ² O)		URNS PER COIL SHUNT/SERIES	TEST DATE	
5.12	91.9	-/-		2000/15	-	
LOAD PERFORMANCE						
LOAD	AMPERES	TORQUE IN OZ.-FT.	OUTPUT IN HP	RPM	% EFFICIENCY	
NO LOAD	552	0	0	1533	0	
1/4	16	0	0	1452	0	
2/4	33	0	0	1378	0	
3/4	49	0	0	1322	0	
4/4	65	0	0	1261	0	
O.L.	98	0	0	1171	0	
RPM VS. FIELD AMPS Eg VS. FIELD AMPS						
FIELD AMPS	RPM N.L.	RPM F.L.	Eg N.L. @ BASE SPEED	Eg F.L. @ BASE SPEED		
1.33	1532	1261	259	248		
1.09	1681	1699	238	225		
.858	1944	1811	207	195		
.620	2481	1990	162	156		
.382	3824	2300	105	108		

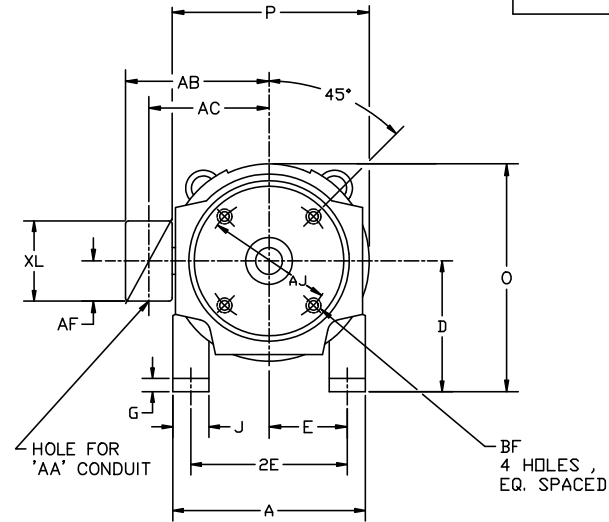
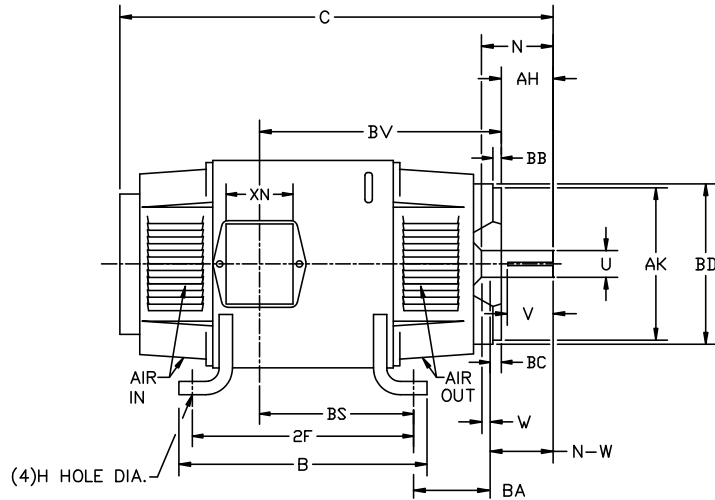
REMARKS: TYPICAL DATA



DR. BY E.H.GILLOT
 CK. BY B. GRANT
 APP. BY R. ERLACHER
 DATE 01-23-2009

D-C MOTOR DK0041A
PERFORMANCE
DATA ISSUE DATE 01-23-2009

2056



FRAME	FOOT MOUNTING							D.E. SHAFT EXTENSION										DRIVE KEY		FRAME							
	BA	E	2F	G	H	J	AH	AJ	AK	BS MIN.	BC	BD	THREAD	BF DEEP	N	N-W	U	V	W	KEY-SQ.	KEY-LONG	A	B	C	D	O	P
1810AT	2.75	3.75	11.00	.38	.406	1.50	2.125	7.250	8.500	.25	—	8.69	1/2-13	.75	2.90	2.77	1.125 ¹	2.50 ³	.13	.250	1.38	12.25	12.25	21.46	4.50 ²	9.00	9.00
219AT	3.50	4.25	11.00	.50	.406	2.00	2.50	7.250	8.500	.24	.25	8.75	1/2-13	1.00	3.00	2.75	1.375 ¹	2.50 ³	.25	.312	1.75	12.00	12.00	24.50	5.25 ²	10.47	10.44
258AT	4.25	5.00	12.50	.69	.531	2.25	3.00	7.250	8.500	.27	.25	8.75	1/2-13	.97	3.44	3.25	1.625 ¹	3.00 ³	.19	.375	2.31	12.38	14.00	26.50	6.25 ²	12.47	12.44
259AT	4.25	5.00	14.00	.69	.531	2.25	3.00	7.250	8.500	.27	.25	8.75	1/2-13	.97	3.44	3.25	1.625 ¹	3.00 ³	.19	.375	2.31	15.50	15.50	28.00	6.25 ²	12.47	12.44
288AT	4.75	5.50	14.00	.69	.531	2.50	3.50	9.000	10.500	.25	.25	10.75	1/2-13	.75	3.91	3.75	1.875 ¹	3.50 ³	.16	.500	2.50	15.62	15.62	32.00	7.00 ²	13.88	13.75
328AT	5.25	6.25	16.00	.81	.656	3.00	4.00	11.000	12.500	.25	.25	12.75	5/8-11	.88	4.40	4.25	2.125 ¹	4.00 ³	.15	.500	3.12	17.75	17.75	34.63	8.00 ²	15.94	15.88
329AT	5.25	6.25	18.00	.81	.656	3.00	4.00	11.000	12.500	.25	.25	12.75	5/8-11	.88	4.40	4.25	2.125 ¹	4.00 ³	.15	.500	3.12	19.75	19.75	36.63	8.00 ²	15.94	15.88

FRAME	CONDUIT BOX							APPROXIMATE WEIGHT
	AA	AB	AC	AF	BS	XL	XN	
1810AT	3/4NPT	INTEGRAL WITH ENDPLATE						195
219AT	3/4-1	7.91	6.44	2.44	9.38	3.81	3.12	260
258AT	1-1/4	9.35	7.72	2.94	9.75	4.94	4.00	366
259AT	1-1/4	9.35	7.72	2.94	11.25	4.94	4.00	411
288AT	1-1/4	11.88	9.25	5.00	12.64	7.88	5.25	566
328AT	2	12.94	10.32	5.00	13.68	7.88	5.25	775
329AT	2	12.94	10.32	5.00	15.68	7.88	5.25	884

- 1) SHAFT DIAMETERS TO 1.500 TOLERANCE +.0000 - .0005
SHAFT DIAMETERS ABOVE 1.500 TOLERANCE +.0000 - .0010
SHAFT DIAMETERS TO 1.625 RUNOUT .002 T.I.R. MAX.
SHAFT DIAMETERS ABOVE 1.625 RUNOUT .003 T.I.R. MAX.
- 2) 'D' DIMENSION TOLERANCE +.000 - .030
- 3) 'V' DIMENSION IS MAX. HUB LENGTH ON SHAFT
- 4) CONDUIT BOX CAN BE ROTATED IN 90° STEPS ON ITS OWN AXIS.
- 5) ALL DIMENSIONS NOT NOTED ARE NOMINAL DIMENSIONS CONSULT FACTORY FOR TOLERANCES.

MATL:	—		
REV:	—	NEW DWG. RELEASE	
990Z	SCALE: —	BY: MBT	REVISED: 07/28/95
	FILE: CHB00004002	TDR: 0078613	

BALDOR ELECTRIC Co.

DIM SHEET, 1810ATC THRU 329ATC GENERATORS

2056