

**BALDOR • RELIANCE**

---

# Customer information packet

## CDMG2310

10KW, 2500RPM, DC, 219ATC, DPF, F2

## Specifications

Armature Voltage	230 V
Base Speed	2500 rpm
Enclosure	DPFG
Field Voltage	230 V
Output Power	10.000 KW
Agency Approvals	CSA
Ambient Temperature	40 °C
Armature Current	43.5 a
Drip Cover	No Drip Cover
Duty Rating	CONT
Feedback Device	NO FEEDBACK
Field Winding Type	COMPOUND
Heater Indicator	No Heater
Insulation Class	F
Lifting Lugs	Standard Lifting Lugs
Motor Standards	NEMA
Mounting Arrangement	F2
Overall Length	24.50 IN
Service Factor	1.00
Shaft Diameter	1.375 IN
Shaft Ground Indicator	No Shaft Grounding
Shaft Slinger Indicator	No Slinger
Thermal Device - Bearing	None

## Part detail

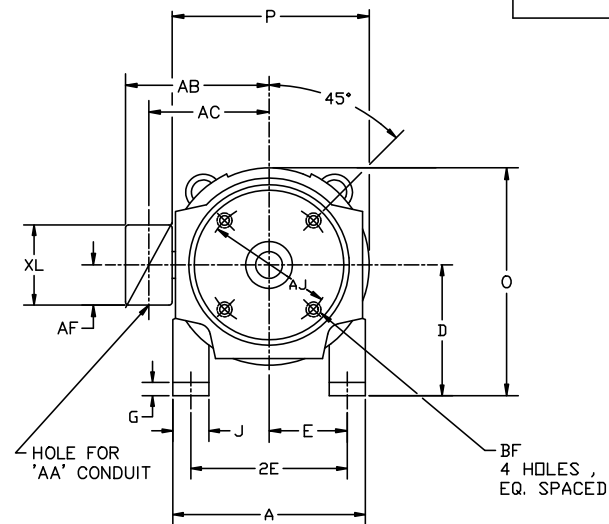
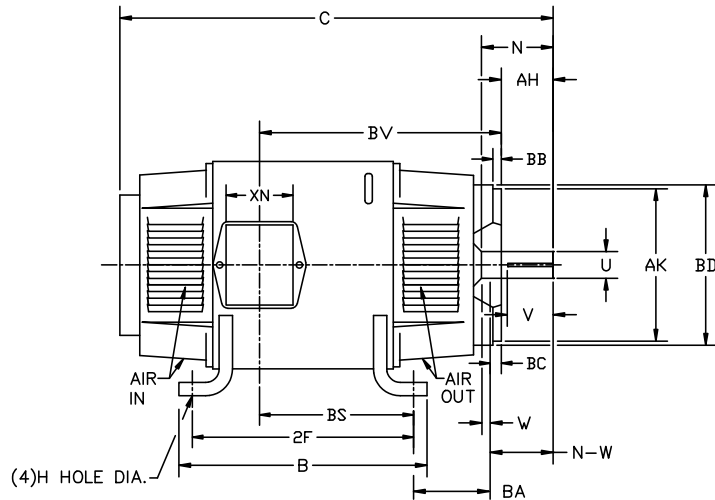
Revision	B
Type	DC
Mech. spec.	
Base	
Status	PRD/A
Elec. spec.	K0002A
Layout	2056
Eff. date	02-08-2022
CD Diagram	
Poles	00
Leads	
Proprietary	False
Created date	12-12-2019

**Nameplate**

15405										
<b>CAT.NO.</b>	CDMG2310	<b>MODEL NO.</b>	T21S8006							
<b>KW</b>	10 KW	<b>RPM</b>	2500	<b>FRAME</b>	0219ATC					
<b>ARM VOLTS</b>	230	<b>ARM AMPS</b>	43.50	<b>WOUND</b>	COMPOUND					
<b>FIELD VOLTS</b>	230	<b>FIELD AMPS</b>	1.22-.88							
<b>FIELD CONN.</b>		<b>OHMS</b>	188.5	<b>INSUL. CLASS</b>	F					
<b>ENCL</b>	DPFG	<b>DUTY</b>	CONT	<b>MAX AMBIENT</b>	40					
<b>SERVICE FACTOR</b>	1.0									
<b>S/N</b>		<b>E/S</b>	K0002A							
	-									
<b>O.D.E. BRG.</b>	6207	<b>D.E. BRG.</b>	6207	<b>BRUSH</b>	150986-21-1				<b>QTY</b>	2



2056



FRAME	FOOT MOUNTING							D.E. SHAFT EXTENSION										DRIVE KEY		FRAME							
	BA	E	2F	G	H	J	AH	AJ	AK	BS MIN.	BC	BD	THREAD	BF DEEP	N	N-W	U	V	W	KEY-SQ.	KEY-LONG	A	B	C	D	O	P
1810AT	2.75	3.75	11.00	.38	.406	1.50	2.125	7.250	8.500	.25	—	8.69	1/2-13	.75	2.90	2.77	1.125 <sup>1</sup>	2.50 <sup>3</sup>	.13	.250	1.38	12.25	12.25	21.46	4.50 <sup>2</sup>	9.00	9.00
219AT	3.50	4.25	11.00	.50	.406	2.00	2.50	7.250	8.500	.24	.25	8.75	1/2-13	1.00	3.00	2.75	1.375 <sup>1</sup>	2.50 <sup>3</sup>	.25	.312	1.75	12.00	12.00	24.50	5.25 <sup>2</sup>	10.47	10.44
258AT	4.25	5.00	12.50	.69	.531	2.25	3.00	7.250	8.500	.27	.25	8.75	1/2-13	.97	3.44	3.25	1.625 <sup>1</sup>	3.00 <sup>3</sup>	.19	.375	2.31	12.38	14.00	26.50	6.25 <sup>2</sup>	12.47	12.44
259AT	4.25	5.00	14.00	.69	.531	2.25	3.00	7.250	8.500	.27	.25	8.75	1/2-13	.97	3.44	3.25	1.625 <sup>1</sup>	3.00 <sup>3</sup>	.19	.375	2.31	15.50	15.50	28.00	6.25 <sup>2</sup>	12.47	12.44
288AT	4.75	5.50	14.00	.69	.531	2.50	3.50	9.000	10.500	.25	.25	10.75	1/2-13	.75	3.91	3.75	1.875 <sup>1</sup>	3.50 <sup>3</sup>	.16	.500	2.50	15.62	15.62	32.00	7.00 <sup>2</sup>	13.88	13.75
328AT	5.25	6.25	16.00	.81	.656	3.00	4.00	11.000	12.500	.25	.25	12.75	5/8-11	.88	4.40	4.25	2.125 <sup>1</sup>	4.00 <sup>3</sup>	.15	.500	3.12	17.75	17.75	34.63	8.00 <sup>2</sup>	15.94	15.88
329AT	5.25	6.25	18.00	.81	.656	3.00	4.00	11.000	12.500	.25	.25	12.75	5/8-11	.88	4.40	4.25	2.125 <sup>1</sup>	4.00 <sup>3</sup>	.15	.500	3.12	19.75	19.75	36.63	8.00 <sup>2</sup>	15.94	15.88

FRAME	CONDUIT BOX							APPROXIMATE WEIGHT
	AA	AB	AC	AF	BS	XL	XN	
1810AT	3/4NPT	INTEGRAL WITH ENDPLATE						195
219AT	3/4-1	7.91	6.44	2.44	9.38	3.81	3.12	260
258AT	1-1/4	9.35	7.72	2.94	9.75	4.94	4.00	366
259AT	1-1/4	9.35	7.72	2.94	11.25	4.94	4.00	411
288AT	1-1/4	11.88	9.25	5.00	12.64	7.88	5.25	566
328AT	2	12.94	10.32	5.00	13.68	7.88	5.25	775
329AT	2	12.94	10.32	5.00	15.68	7.88	5.25	884

- 1) SHAFT DIAMETERS TO 1.500 TOLERANCE +.0000 - .0005  
SHAFT DIAMETERS ABOVE 1.500 TOLERANCE +.0000 - .0010  
SHAFT DIAMETERS TO 1.625 RUNOUT .002 T.I.R. MAX.  
SHAFT DIAMETERS ABOVE 1.625 RUNOUT .003 T.I.R. MAX.
- 2) 'D' DIMENSION TOLERANCE +.000 - .030
- 3) 'V' DIMENSION IS MAX. HUB LENGTH ON SHAFT
- 4) CONDUIT BOX CAN BE ROTATED IN 90° STEPS ON ITS OWN AXIS.
- 5) ALL DIMENSIONS NOT NOTED ARE NOMINAL DIMENSIONS CONSULT FACTORY FOR TOLERANCES.

MATL:	—		
REV:	—	NEW DWG. RELEASE	
990Z	SCALE:	—	BY: MBT
	FILE:	CHB00004002	TDR: 0078613
	REVISED:	07/28/95	

BALDOR ELECTRIC Co.

DIM SHEET, 1810ATC THRU 329ATC GENERATORS

2056

