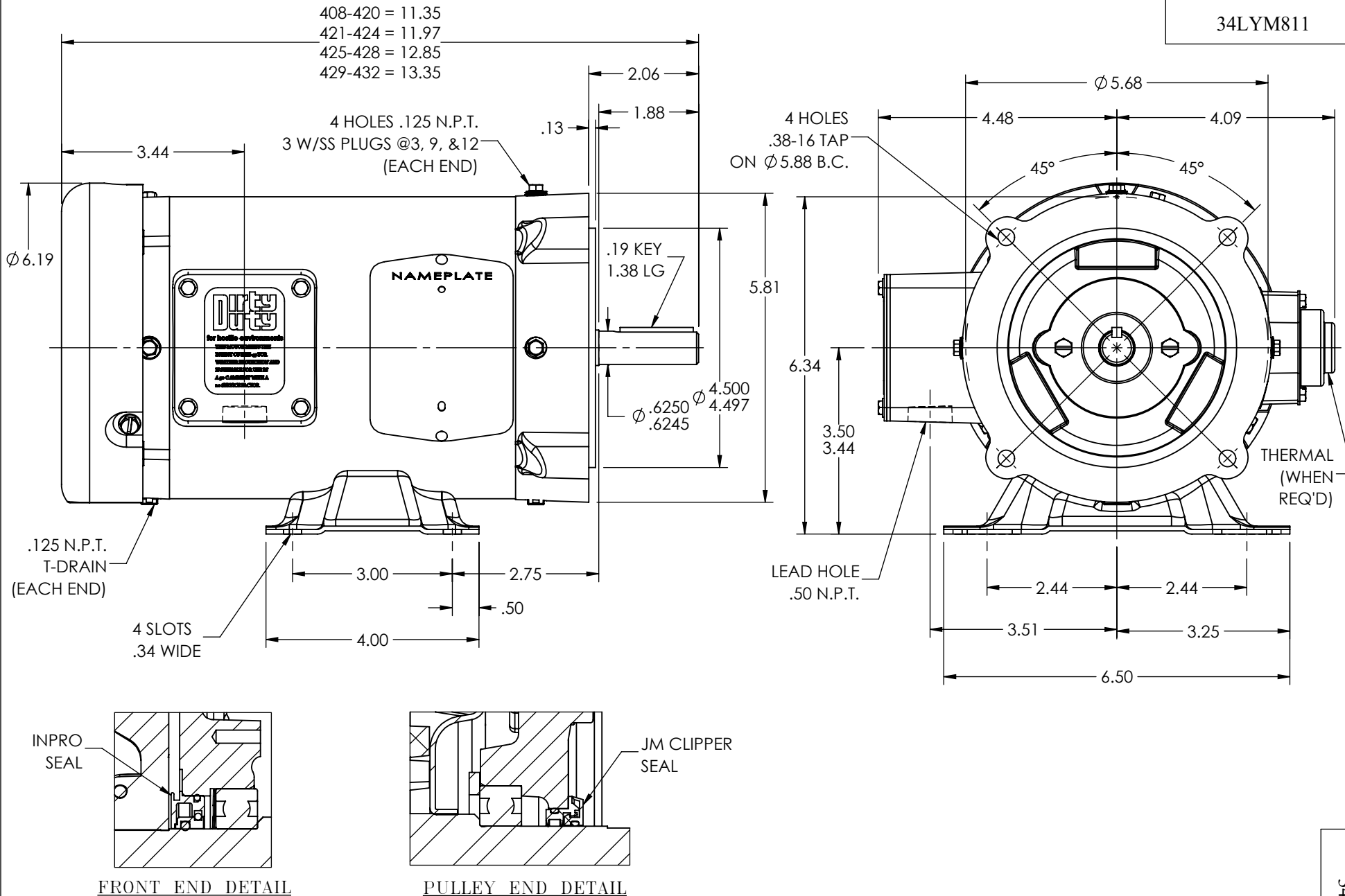


34LYM811



CUSTOMER IS RESPONSIBLE FOR DETERMINING THAT THE PRODUCT WILL PERFORM SUITABLY IN THE INTENDED APPLICATION

REV. DESC: LOAD TO SOLIDWORKS - REV A

REV: B VERSION: 02 REVISED: 03:23:49 05/17/2023 TDR: 000001201165

34LYM811

MODEL NO. 34LYM811

REF: -

BY: ENFRAJ0

BALDOR - RELIANCE®

STD HORZ 56C TEFC 34M DDP (S/P032-002-002)

34LYM811