

**BALDOR • RELIANCE**

---

# Customer information packet

## CDD1803R

3HP, 1750RPM, DC, 189ATCZ, DPG,

## Specifications

Armature Voltage	180 V
Base Speed	1750 rpm
Enclosure	DP
Field Voltage	200 V
Frame	DC0189ATCZ
Output Power	3.000 HP
Agency Approvals	CCSA US
Ambient Temperature	40 °C
Armature Current	14.8 a
Drip Cover	No Drip Cover
Duty Rating	CONT
Feedback Device	NO FEEDBACK
Field Winding Type	STR. SHUNT
Frame Prefix	DC
Heater Indicator	No Heater
Insulation Class	F
Lifting Lugs	Standard Lifting Lugs
Motor Standards	NEMA
Mounting Arrangement	F3
Overall Length	21.82 IN
Service Factor	1.00
Shaft Diameter	1.125 IN
Shaft Ground Indicator	No Shaft Grounding
Shaft Slinger Indicator	No Slinger
Thermal Device - Bearing	None

## Part detail

Revision	-
Type	DC
Mech. spec.	
Base	
Status	PRD/A
Elec. spec.	G4605A
Layout	609980-503
Eff. date	01-02-2020
CD Diagram	406770-007
Poles	00
Leads	
Proprietary	False
Created date	12-27-2019

**Nameplate**

000613006HP					
<b>CAT.NO.</b>	CDD1803R	<b>SPEC NO.</b>	T18S1120		
<b>FR</b>	DC0189ATCZ	<b>HP</b>	3	<b>DUTY</b>	CONT
<b>ENCL.</b>	DP	<b>RPM</b>	1750	<b>S.F.</b>	1.0
<b>ENCL MOD</b>		<b>VOLTS</b>	180	<b>INSUL</b>	F
<b>MAX SAFE SPEED</b>	04500	<b>AMPS</b>	14.80	<b>AMB.</b>	40
	<b>FIELD DATA</b>	<b>SER.NO.</b>			
<b>WINDING</b>	STR. SHUNT	<b>POWER CODE</b>	2/2-230-60-0		
<b>VOLTS</b>	100/200	<b>D.E. BRG.</b>	30BC02JPP30A		
<b>MAX AMPS @ 25 C</b>	1.90/.95	<b>O.D.E. BRG.</b>	30BC02JPG30A		
<b>HOT AMPS</b>	1.46/.73	<b>MIN. AMB.</b>	0	<b>TYPE</b>	TR
	BRUSH:419904050A				
	SPLASHPROOF				

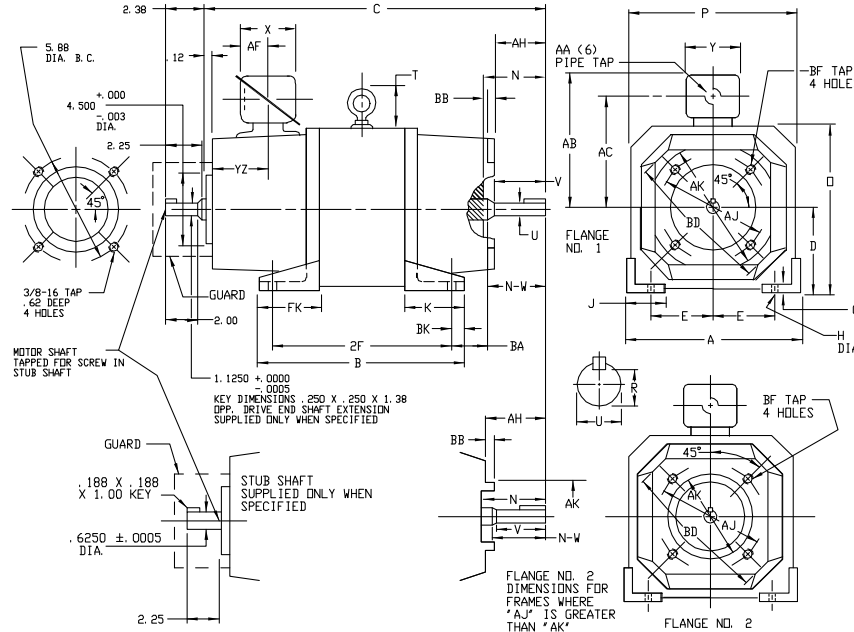






609980-503

**INDUSTRIAL DIRECT CURRENT MOTORS AND GENERATORS - RPM III**  
 ENCLOSURE: DRIP-PROOF FULLY-GUARDED MOUNTING: FOOT, "C" FACE COOLING: SELF-VENTILATED ACCESSORIES: PROVISIONS FOR TACHOMETER MOUNTING ONLY WHEN SPECIFIED  
 SPLASHPROOF, TOTALLY ENCLOSED METHOD OF DRIVE: COUPLED OR BELTED NON-VENTILATED  
 DC180ATY-DC180ATCZ



DIMENSIONS ARE IN INCHES

FRAME	FLANGE	A	DC(D)	E	G	H	J	K	FK	BK	D	P	T	BA	BB(7)	BD	BF TAP	BF TAP DEPTH	AJ	AK(4)	A.C. SHAFT EXT. REF.
DC189ATY	ND. 2	9.00	4.50	3.75	.31	.44	1.50	3.56	3.56	.50	8.88	8.75	1.88	2.75	.12	8.75	3/8-16	.62	5.88	4.500	140TC EXT.
DC189ATCZ	ND. 1	9.00	4.50	3.75	.31	.44	1.50	3.56	3.56	.50	8.88	8.75	1.88	2.75	.12	8.75	1/2-13	.88	7.25	8.500	180TC EXT.
DC181DATY	ND. 2	9.00	4.50	3.75	.31	.44	1.50	3.56	3.56	.50	8.88	8.75	1.88	2.75	.12	8.75	3/8-16	.62	5.88	4.500	140TC EXT.
DC181DATCZ	ND. 1	9.00	4.50	3.75	.31	.44	1.50	3.56	3.56	.50	8.88	8.75	1.88	2.75	.12	8.75	1/2-13	.88	7.25	8.500	180TC EXT.
DC1811ATY	ND. 2	9.00	4.50	3.75	.31	.44	1.50	3.56	3.56	.50	8.88	8.75	1.88	2.75	.12	8.75	3/8-16	.62	5.88	4.500	140TC EXT.
DC1811ATCZ	ND. 1	9.00	4.50	3.75	.31	.44	1.50	3.56	3.56	.50	8.88	8.75	1.88	2.75	.12	8.75	1/2-13	.88	7.25	8.500	180TC EXT.

FRAME	FLANGE	C(5)	B	2F	N	N-W	UK(2)	V	AH	R(3)	SD	LGTH	AA	AB	AC	AF	X	Y	YZ	WT. LBS.
DC189ATY	ND. 2	18.81	11.62	10.00	2.44	2.25	.8750	2.00	2.12	.771	1.88	1.38	1.00	7.30	6.11	2.19	4.38	3.75	3.25	130
DC189ATCZ	ND. 1	19.44	11.62	10.00	3.06	2.88	1.250	2.62	2.62	.986	2.50	1.81	1.00	7.30	6.11	2.19	4.38	3.75	3.25	130
DC181DATY	ND. 2	19.56	12.38	11.00	2.44	2.25	.8750	2.00	2.12	.771	1.88	1.38	1.00	7.30	6.11	2.19	4.38	3.75	3.25	155
DC181DATCZ	ND. 1	20.19	12.38	11.00	3.06	2.88	1.250	2.62	2.62	.986	2.50	1.81	1.00	7.30	6.11	2.19	4.38	3.75	3.25	155
DC1811ATY	ND. 2	21.06	13.88	12.50	2.44	2.25	.8750	2.00	2.12	.771	1.88	1.38	1.00	7.30	6.11	2.19	4.38	3.75	3.25	185
DC1811ATCZ	ND. 1	21.69	13.88	12.50	3.06	2.88	1.250	2.62	2.62	.986	2.50	1.81	1.00	7.30	6.11	2.19	4.38	3.75	3.25	185

- (1) "D" DIMENSION WILL NOT BE EXCEEDED. SHIMS UP TO .06 INCHES IN THICKNESS ARE USUALLY REQUIRED FOR COUPLED OR GEARED MACHINES. TOLERANCE +.00/- .06.
- (2) "U" VARIES +.0000, -.0005.
- (3) "R" VARIES +.000, -.015.
- (4) "AK" VARIES +.000, -.003. FACE RUNDUT AND ECCENTRICITY .004 MAX. T. I. R.

- (5) WHEN THE MOTOR APPLICATION DOES NOT REQUIRE THE USE OF DPP, DRIVE END, ADD .25 TO "C" DIM. FOR BRACKET COVER.
- (6) TERMINAL BOX CAN BE ROTATED TO REPOSITION CONDUIT CONNECTION. IF MOUNTING CLEARANCE DETAILS ARE REQUIRED CONSULT FACTORY.
- (7) "BB" OF .25 IS A MINIMUM VALUE.

MOTOR WEIGHT MAY VARY 15% FOR NON-STANDARD RATINGS AND/OR ACCESSORIES.

CUSTOMER IS RESPONSIBLE FOR DETERMINING THAT BALDOR'S PRODUCT WILL PERFORM SUITABLY IN THE INTENDED APPLICATION.

REV. DESC: REVISE "D" DIM TOLERANCE	VERSION: 04	TDR: 000001148815
REV. LTR: D	FILE: \RGG\00030\373	REVISED: 03:18:10 09/15/2020
MTL: -	BY: RGNAS	

**BALDOR - RELIANCE®**

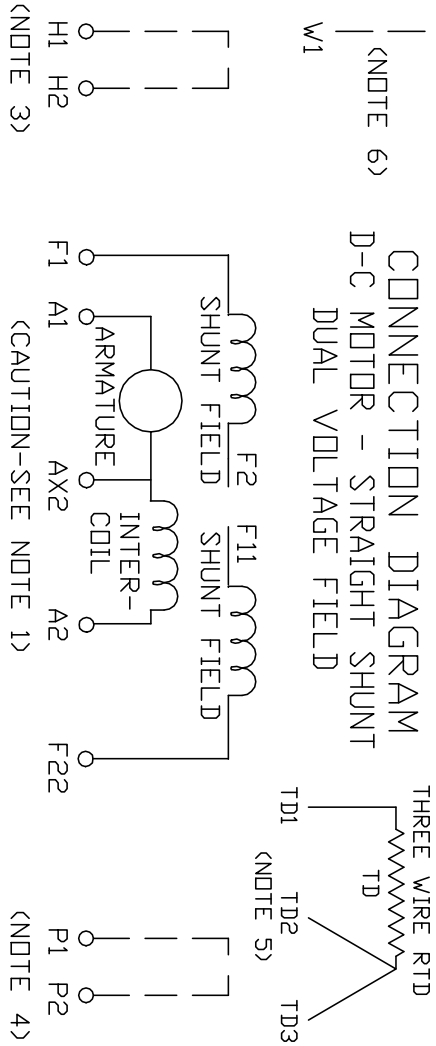
DIMENSION DRAWING, DC180ATY - DC180ATCZ, DPP, TENV, FOOT MTG.

SH 1 of 1

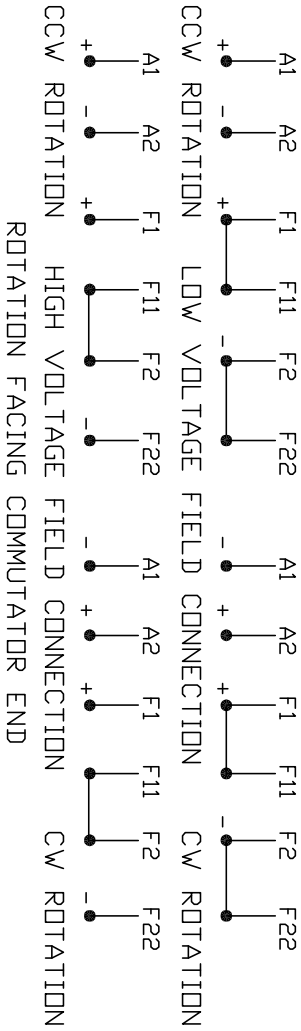
609980-503

406770-007

CONNECTION DIAGRAM  
D-C MOTOR - STRAIGHT SHUNT  
DUAL VOLTAGE FIELD  
W1



ARMATURE AND FIELD EXTERNAL CONNECTIONS  
WARNING- SEE NOTE 7 FOR GROUNDING INSTRUCTIONS



1. CAUTION — ARMATURE MAY HAVE MULTIPLE LEADS. CONNECT ALL LUGS WITH THE SAME MARKING TOGETHER.
  2. OPTIONAL CONTROL SIGNAL LEAD IS MARKED AX2. ALWAYS TAKE INTERPOLE DROP BETWEEN A2 AND AX2. NOTE: NEMA DESIGNATION FOR AX2 IS LETTER C.
  3. SPACE HEATERS, WHEN PROVIDED, WILL HAVE LEADS MARKED H1 AND H2, H3, H4, ETC.
  4. THERMAL PROTECTOR, WHEN PROVIDED, WILL HAVE LEADS MARKED P1 AND P2, P3, P4, ETC.
  5. WINDING RTD'S, WHEN PROVIDED, WILL HAVE LEADS MARKED TD1, TD2, & TD3.
  6. BRUSH WEAR SENSOR, WHEN PROVIDED, WILL HAVE LEAD MARKED W1.
  7. WARNING — MOTOR MUST BE GROUNDED TO PREVENT SERIOUS INJURIES TO PERSONNEL. GROUND THE MOTOR PER IEC, NATIONAL ELECTRICAL CODE AND ANY APPLICABLE LOCAL ELECTRICAL CODES. A TAPPED HOLE IS PROVIDED IN THE CONDUIT BOX, ON THE FOOT. FRAME BRACE OR OPPOSITE OPPOSITE DRIVE END BRACKET, ADJACENT TO THE TERMINAL BOX FOR FOR MOTOR GROUNDING. GROUND LEAD, WHEN PROVIDED, WILL BE GREEN.
- CUSTOMER \_\_\_\_\_ RELIANCE  
ORDER NO. \_\_\_\_\_ S.D. NO. \_\_\_\_\_

406770-007

REV. DESC: UPDATE LOGO AND TITLEBLOCK: LOADED TO BUS		
REV. LTR: -	VERSION: 00	TDR: 000000784225
FILE: \MGA\00001\391	REVISED: 02:50:46 02/01/2013	BY: MGHPC
MTL: -		

**BALDOR**

D-C MOTOR CONNECTION DIAGRAM, STR. SHUNT, DUAL VOLTAGE FIELD

SH 1 of 1