

BALDOR® • RELIANCE™

Customer information packet

CD6203

3HP, 1750RPM, DC, 184TC, 3668D, TEFC, F1, N

Class - None

Division -

Specifications

Armature Voltage	180 V
Base Speed	1750 rpm
Enclosure	TEFC
Field Voltage	100 V
	200 V
Frame	184TC
Frame Material	Steel
Output Power	3.000 HP
XP Class and Group	None
Agency Approvals	CSA
	UR
Ambient Temperature	40 °C
Armature Current	14.7 a
Armature Inertia	57.312 lb-ft ²
Base Indicator	Rigid
Bearing Grease Type	Polyrex EM (-20F +300F)
Drip Cover	No Drip Cover
Duty Rating	CONT
Feedback Device	NO FEEDBACK
Field Winding Type	SHUNT
Heater Indicator	No Heater
Lifting Lugs	Standard Lifting Lugs
Motor Lead Exit	Ko Box
Motor Lead Quantity/Wire Size	4 @ 18 AWG
	2 @ 12 AWG
Motor Lead Termination	Flying Leads
Motor Standards	NEMA
Mounting Arrangement	F1
Overall Length	21.62 IN
Product Family	General Purpose
Pulley End Bearing Type	Sealed Bearing
RoHS Status	ROHS COMPLIANT

Part detail

Revision	AU
Type	DC
Mech. spec.	36-5347
Base	
Status	PRD/A
Elec. spec.	36WGZ136
Layout	36LY5347
Eff. date	11-01-2022
CD Diagram	CD0860C01
Poles	00
Leads	
Proprietary	False
Created date	01-01-0001

Service Factor	1.00
Shaft Diameter	1.125 IN
Shaft Extension Location	Pulley End
Shaft Ground Indicator	No Shaft Grounding
Shaft Rotation	Reversible
Shaft Slinger Indicator	No Slinger

Nameplate

NP0111L			
CAT.NO.	CD6203		
SPEC.	36-5347Z136		
HP	3	ENCL	TEFC
RPM	1750		
FRAME	184TC	TYPE	3668D
ARM V	180	ARM A	14.7
FLD V	200/100	FLD A	.6/1.2
INSUL	H	AMB.	40
DUTY	CONT	SUPPLY	K
BRG/DE	6206	BRG/ODE	6205
BRUSHES	2/BP5125A01		
	BLANK		
SER.			
BLANK			
APRV-CSA	APRV-UL		

Accessories

Part number	Description	Multiplier
TK3600	TEFC TACH MTG.CONVERSION KIT	

DC Motor Performance Data

Record # 430

Typical performance - not guaranteed values

Winding: 36WGZ136-R001		Type: 3668D	Enclosure: TEFC
Nameplate Data		General Characteristics	
Rated Output (HP)	3	Armature Resistance @ 25°C	0.411 Ω
R.P.M.	1750	Commutating Winding Resistance @ 25°C	0.279 Ω
Armature Volts	180		
Armature Amps	14.7	Shunt Winding Resistance @ 25°C	351 Ω
Field Volts	200 / 100	Armature Inductance	7.003 mH
Field Amps	0.6 / 1.2		
Rating - Duty	40C AMB-CONT		
Power Supply Code	K		

Load Characteristics at 180 Armature Volts, 200 Field Volts, 0.55 Field Amps

Load Point	1	2	3	4	5	6	7
Armature Amps	1.1	7.2	10.2	13.4	16.4	20.4	27.1
R.P.M.	1697	1626	1611	1590	1572	1555	1547
Torque (LB-FT)	0	4.5	6.75	9	11.25	13.5	18

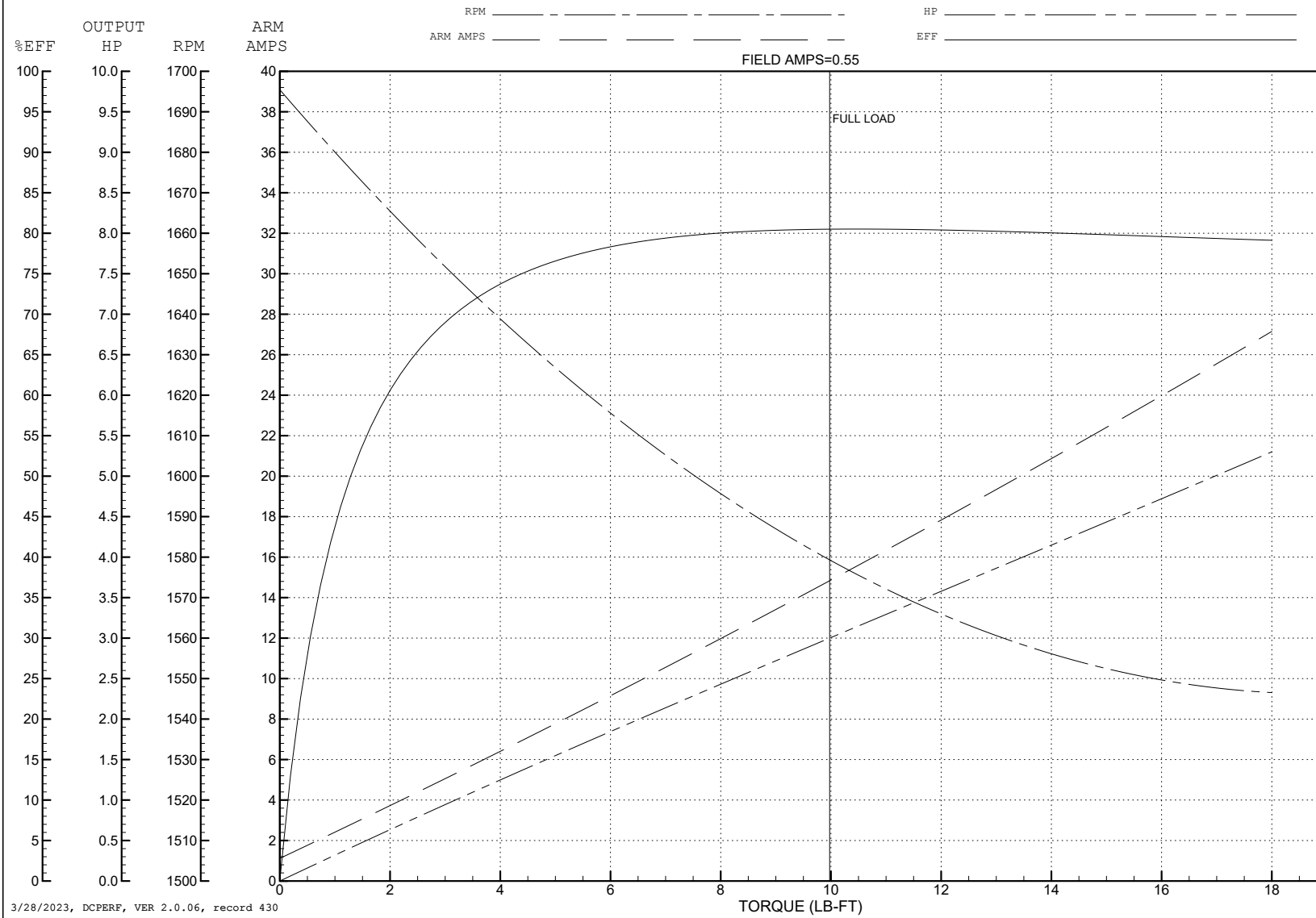
ABB Motors and Mechanical Inc.

WINDING # 36WGZ136

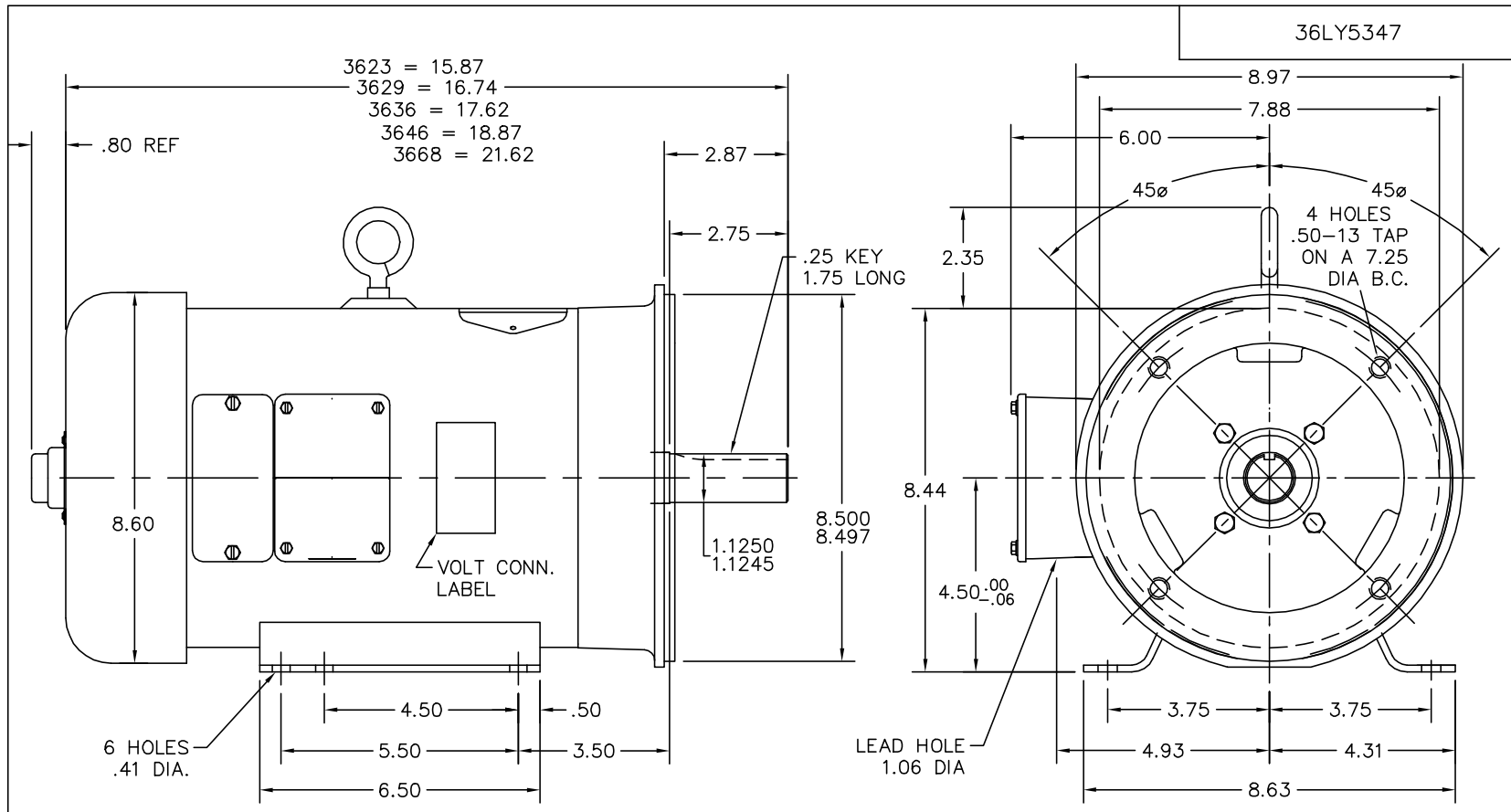
Typical performance - not guaranteed values.

3 HP DC 1750 RPM 180 V ARM 200/100 V FLD 3668D

ENCL: TEFC DUTY: CONT CL: H



3/28/2023, DCPERF, VER 2.0.06, record 430



CUSTOMER IS RESPONSIBLE FOR DETERMINING THAT BALDOR'S PRODUCT WILL PERFORM SUITABLY IN THE INTENDED APPLICATION.

REV. DESC: UPDATE PARTS & FIX DIMENSIONS		
REV. LTR: H	VERSION: 01	TDR: 00000946420
FILE: \AAA\00029\874	REVISED: 01:10:35 10/07/2015	BY: ENERINO
MTL: -	☉ □	

BALDOR

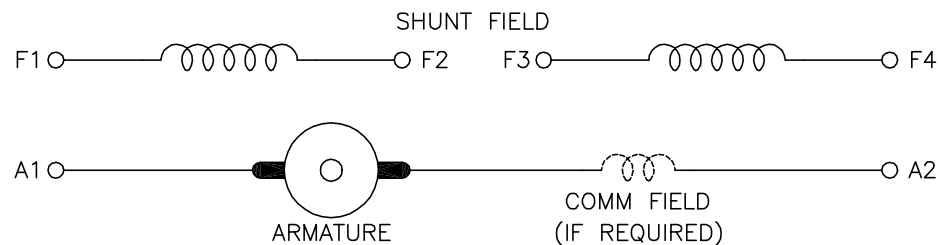
SPL HORZ 36DC NEMA 182-4TC TEFC 2 POLE W/BOLT ON BASE

SH 1 of 1

36LY5347

CD0860C01

SHUNT WOUND



CONNECTION	DIRECTION OF ROTATION			
	CWDE		CCWDE	
	POS TERM (+)	NEG TERM (-)	POS TERM (+)	NEG TERM (-)
HIGH VOLTAGE	A1 F1 CONNECT F2 & F3	A2 F4	A2 F1 CONNECT F2 & F3	A1 F4
LOW VOLTAGE	A1 F1 & F3	A2 F2 & F4	A2 F1 & F3	A1 F2 & F4

NOTES:

1. LIMIT STARTING INRUSH CURRENT TO NOT MORE THAN 3 TIMES RATED AMPERES BY ENERGIZING THE FULL SHUNT FIELD BEFORE BRINGING THE ARMATURE VOLTAGE UP SLOWLY OR IN STEPS.
2. OPTIONAL FIELD REOSTAT MAY BE CONNECTED IN SERIES WITH THE SHUNT FIELD.
3. OPTIONAL THERMOSTAT LEADS ARE MARKED J,J.

REV. DESC: NEW, REPLACE CD0860			
REV. LTR: -	BY: JLP	REVISED: 15:35:22 11/03/2004	TDR: 347796
100098000		FILE: AAA00121477	REF: CD0860C01
		MTL: -	

BALDOR ELECTRIC Co.

DC CONNECTION DIAGRAM, SHUNT FIELD, 6 LEAD, DUAL VOLTAGE

CD0860C01