

BALDOR • RELIANCE

Customer information packet

CD3425

.25HP, 1750RPM, DC, 56C, 3413D, TEFC, F1, N

Class - None

Division -

Specifications

Armature Voltage	90 V
Base Speed	1750 rpm
Enclosure	TEFC
Field Voltage	100 V
	50 V
Frame	56C
Frame Material	Steel
Output Power	0.250 HP
XP Class and Group	None
Agency Approvals	CSA
	UR
Ambient Temperature	40 °C
Armature Current	3.0 a
Armature Inertia	3.042 lb-ft ²
Base Indicator	Rigid
Bearing Grease Type	Polyrex EM (-20F +300F)
Drip Cover	No Drip Cover
Duty Rating	CONT
Feedback Device	NO FEEDBACK
Field Winding Type	SHUNT
Heater Indicator	No Heater
Lifting Lugs	No Lifting Lugs
Motor Lead Exit	Ko Box
Motor Lead Quantity/Wire Size	2 @ 14 AWG
	4 @ 18 AWG
Motor Lead Termination	Flying Leads
Motor Standards	NEMA
Mounting Arrangement	F3
Overall Length	13.34 IN
Product Family	General Purpose
Pulley End Bearing Type	Sealed Bearing
Service Factor	1.00

Part detail

Revision	AB
Type	DC
Mech. spec.	34-6172
Base	
Status	PRD/A
Elec. spec.	34WG1482
Layout	34LY6172
Eff. date	03-24-2022
CD Diagram	CD0860C01
Poles	00
Leads	
Proprietary	False
Created date	01-01-0001

Shaft Diameter	0.625 IN
Shaft Extension Location	Pulley End
Shaft Ground Indicator	No Shaft Grounding
Shaft Rotation	Reversible
Shaft Slinger Indicator	No Slinger

Nameplate

NP0111L			
CAT.NO.	CD3425		
SPEC.	34-6172-1482		
HP	.25	ENCL	TEFC
RPM	1750		
FRAME	56C	TYPE	3413D
ARM V	90	ARM A	3
FLD V	100/50	FLD A	.3/.6
INSUL	F	AMB.	40
DUTY	CONT	SUPPLY	1.3
BRG/DE	6203	BRG/ODE	6203
BRUSHES	2/BP5000H03		
	BLANK		
SER.			
BLANK			
APRV-CSA		APRV-UL	

Accessories

Part number	Description	Multiplier
TK3400	TACHO MOUNTING KIT FOR TK3400	A8
TK3400-HPU	HPU10 MOUNTING KIT 34P/35P TEFC	

DC Motor Performance Data

Record # 380

Typical performance - not guaranteed values

Winding: 34WG1482-R001		Type: 3413D	Enclosure: TEFC	
Nameplate Data			General Characteristics	
Rated Output (HP)	0.25			
R.P.M.	1750			
Armature Volts	90			
Armature Amps	3			
Field Volts	100 / 50			
Field Amps	0.3 / 0.6		Armature Inertia	3.042 LI ²
Rating - Duty	40C AMB-CONT			
Form Factor	1.3			

Load Characteristics at 90 Armature Volts, 100 Field Volts, 0.36 Field Amps

Load Point	1	2	3	4	5	6	7
Armature Amps	0.606	1.365	2.124	2.883	3.642	4.401	5.16
R.P.M.	2001	1957	1913	1870	1826	1782	1738
Torque (LB-FT)	0	0.25	0.5	0.75	1	1.25	1.5

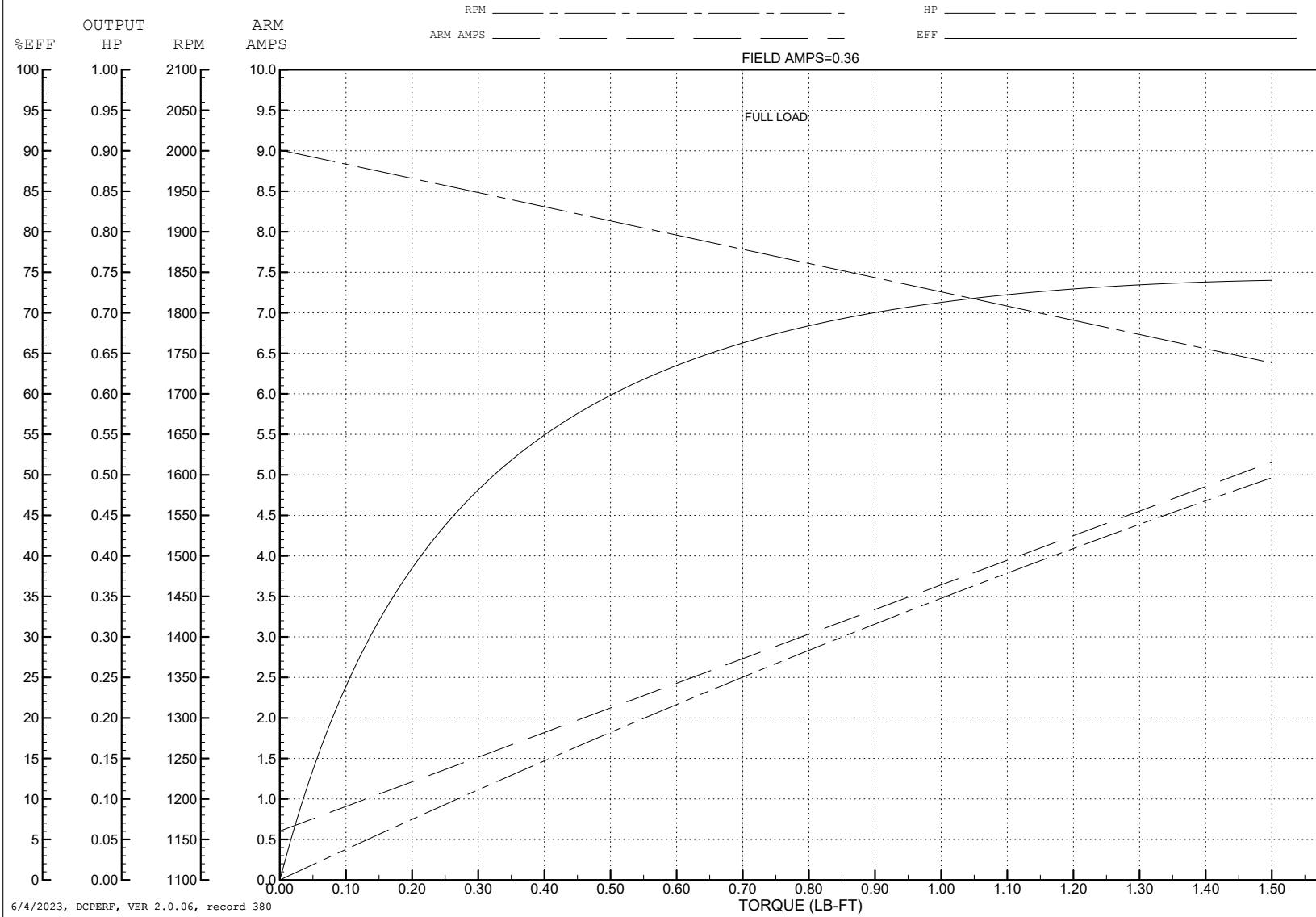
ABB Motors and Mechanical Inc.

WINDING # 34WG1482

Typical performance - not guaranteed values.

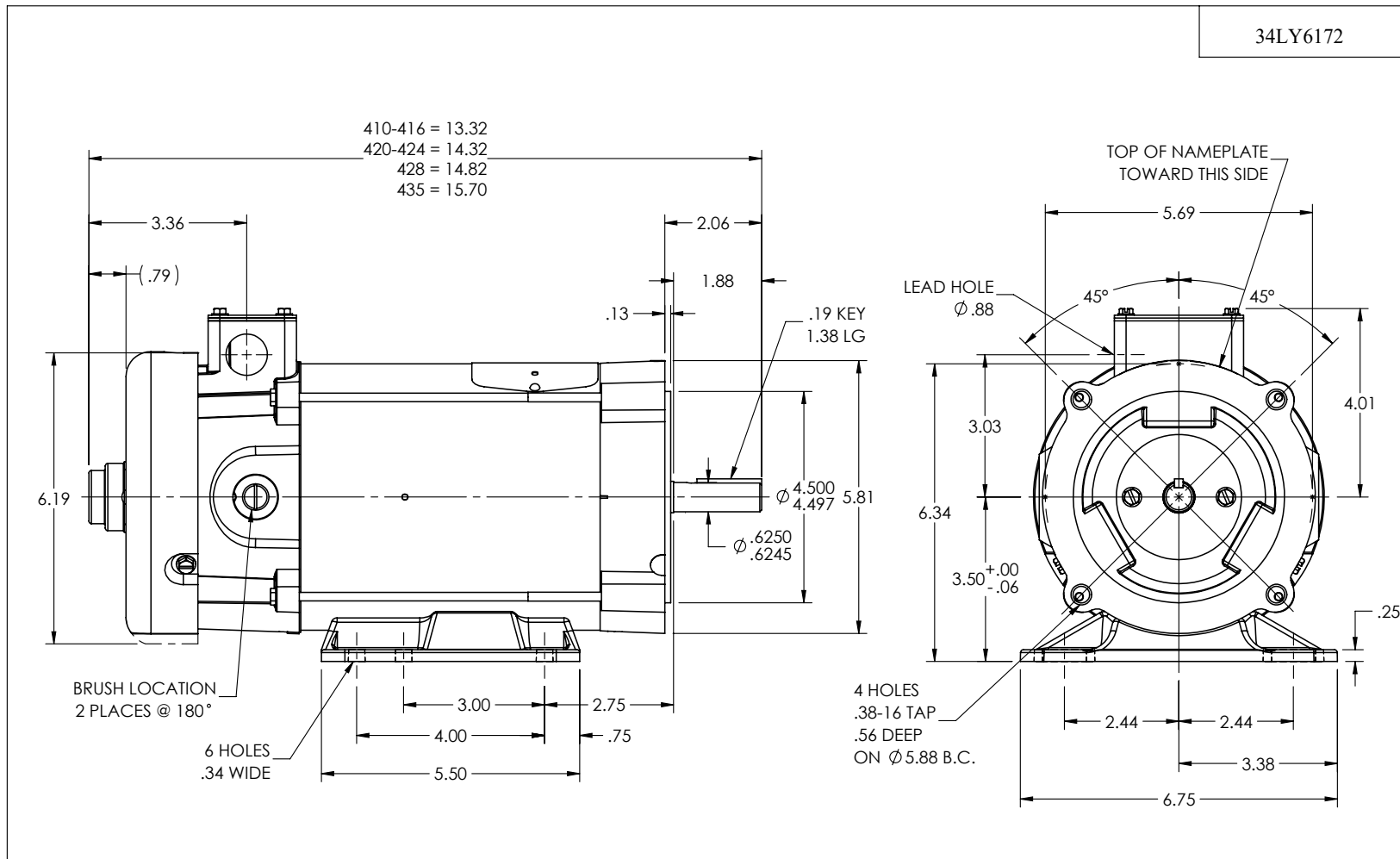
0.25 HP DC 1750 RPM 90 V ARM 100/50 V FLD 3413D

ENCL: TEFC DUTY: CONT CL: F



6/4/2023, DCPERF, VER 2.0.06, record 380

34LY6172



CUSTOMER IS RESPONSIBLE FOR DETERMINING THAT THE PRODUCT WILL PERFORM SUITABLY IN THE INTENDED APPLICATION

REV. DESC: LOAD TO SOLIDWORKS - REV H			
REV: J	VERSION: 02	REVISED: 09:25:30 12/22/2022	TDR: 000001201165
34LY6172	MODEL NO. 34LY6172	REF: -	
	BY: ENFRAJ0		

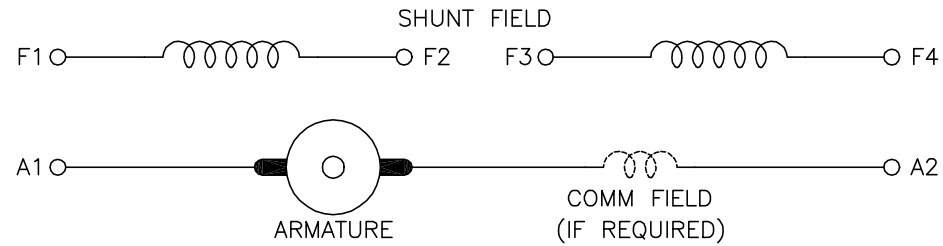
BALDOR - RELIANCE®

STD HOR "C" 34DC NEMA 56C TEFC; EXT. THRU BOLTS & MFTK

34LY6172

CD0860C01

SHUNT WOUND



CONNECTION	DIRECTION OF ROTATION			
	CWDE		CCWDE	
	POS TERM (+)	NEG TERM (-)	POS TERM (+)	NEG TERM (-)
HIGH VOLTAGE	A1 F1 CONNECT F2 & F3	A2 F4	A2 F1 CONNECT F2 & F3	A1 F4
LOW VOLTAGE	A1 F1 & F3	A2 F2 & F4	A2 F1 & F3	A1 F2 & F4

NOTES:

1. LIMIT STARTING INRUSH CURRENT TO NOT MORE THAN 3 TIMES RATED AMPERES BY ENERGIZING THE FULL SHUNT FIELD BEFORE BRINGING THE ARMATURE VOLTAGE UP SLOWLY OR IN STEPS.
2. OPTIONAL FIELD REOSTAT MAY BE CONNECTED IN SERIES WITH THE SHUNT FIELD.
3. OPTIONAL THERMOSTAT LEADS ARE MARKED J,J.

REV. DESC: NEW, REPLACE CD0860			
REV. LTR: -	BY: JLP	REVISED: 15:35:22 11/03/2004	TDR: 347796
100098000		FILE: AAA00121477	REF: CD0860C01
		MTL: -	

BALDOR ELECTRIC Co.

DC CONNECTION DIAGRAM, SHUNT FIELD, 6 LEAD, DUAL VOLTAGE

CD0860C01