

BALDOR • RELIANCE

Customer information packet

CCPX32426T

40HP, 3540//2950RPM, 3PH, 60HZ, 324TSCY, XPFC

Class - CLI GP C,D; CLII GP E,F,G

Division - Division I

Specifications

Enclosure	XPFC
Frame	324TSCY
Frame Material	Iron
Frequency	60.00 Hz
Haz Area Class and Group	CLI GP C,D; CLII GP E,F,G
Haz Area Division	Division I
Motor Letter Type	Three Phase
Output @ Frequency	30.000 HP @ 50 HZ 40.000 HP @ 60 HZ
Phase	3
Synchronous Speed @ Frequency	3600 RPM @ 50 HZ
Voltage @ Frequency	380.0 V @ 50 HZ 230.0 V @ 60 HZ 460.0 V @ 60 HZ 190.0 V @ 50 HZ
Agency Approvals	CSA EEV UL
Ambient Temperature	40 °C
Auxillary Box	No Auxillary Box
Auxillary Box Lead Termination	None
Base Indicator	Rigid
Bearing Grease Type	Polyrex EM (-20F +300F)
Blower	None
Constant Torque Speed Range	6
Current @ Voltage	98.000 A @ 208.0 V 90.000 A @ 230.0 V 82.000 A @ 190.0 V 45.000 A @ 460.0 V 41.000 A @ 380.0 V
Design Code	A
Drip Cover	No Drip Cover
Duty Rating	CONT

Part detail

Revision	F
Type	AC
Mech. spec.	
Base	
Status	PRD/A
Elec. spec.	12WGY584
Layout	12LY-000-210
Eff. date	05-02-2024
CD Diagram	CD0180
Poles	02
Leads	9#8
Proprietary	False
Created date	04-29-2019

Efficiency @ 100% Load	92.4 %
Electrically Isolated Bearing	Not Electrically Isolated
Enclosure Modification	Severe Duty Features
Feedback Device	NO FEEDBACK
Haz Area Temp Code	T3C
Heater Indicator	No Heater
High Voltage Full Load Amps	41.0 a
Insulation Class	F
Inverter Code	Inverter Duty
IP Rating	IP55
KVA Code	H
Lifting Lugs	Standard Lifting Lugs
Locked Bearing Indicator	Locked Bearing
Max Speed	5400 rpm
Motor Lead Termination	Flying Leads
Motor Standards	NEMA
Motor Type	1252M
Mounting Arrangement	F1
Number of Poles	2
Overall Length	30.50 IN
Power Factor	88
Product Family	Chemical Process Features
Pulley Face Code	C-Face
Rodent Screen	None
RoHS Status	ROHS NON-COMPLIANT
Service Factor	1.00
Shaft Diameter	1.875 IN
Shaft Ground Indicator	No Shaft Grounding
Shaft Rotation	Reversible
Speed	3540 rpm
Speed Code	Single Speed
Starting Method	Direct on line
Thermal Device - Bearing	None
Thermal Device - Winding	Normally Closed Thermostat

Vibration Sensor Indicator	No Vibration Sensor
Winding Thermal 1	None
Winding Thermal 2	None

Nameplate

NP2033XPSLEV

NO.		CC	010A				
S/N		TEMP CODE	T3C				
SPEC.	12-0000-0644	INV.TYPE	PWM				
CAT.NO.	CCPX32426T	C HP FR	60	C HP TO	90		
HP	40//30	CT HZ FROM	6	CT HZ TO	60		
VOLTS	230/460//190/380	VT HZ FROM	6	VT HZ TO	60		
AMPS	90/45//82/41	MAG CUR	24/12				
RPM	3540//2950	MX RPM	5400				
HZ	60//50	PH	3	CL	F	NOM.EFF.	92.4
SER.F.	1.00	DES	A	SL HZ	1	WK2	4.07
FRAME	324TSCY	RATING	40C AMB-CONT				
BLANK	55C AMB @ 1.0 SF, 60C RISE						
	1.15SF ON SINEWAVE		NEMA MG-1 PT.5,IP55				

AC Induction Motor Performance Data

Record # 66216

Typical performance - not guaranteed values

Winding: 12WGY584-R006		Type: 1252M		Enclosure: XPFC	
Nameplate Data			460 V, 60 Hz: High Voltage Connection		
Rated Output (HP)	40	Full Load Torque	59.2 LB-FT		
Volts	230/460	Start Configuration	direct on line		
Full Load Amps	90/45	Breakdown Torque	250 LB-FT		
R.P.M.	3540	Pull-up Torque	85.8 LB-FT		
Hz	60 Phase	3	Locked-rotor Torque	118 LB-FT	
NEMA Design Code	A	KVA Code	H	Starting Current	325 A
Service Factor (S.F.)	1	No-load Current	11.7 A		
NEMA Nom. Eff.	92.4	Power Factor	88	Line-line Res. @ 25°C	0.12 Ω
Rating - Duty	40C AMB-CONT		Temp. Rise @ Rated Load	59°C	
			Locked-rotor Power Factor	20.8	
			Rotor inertia	4.07 LB-FT ²	

Load Characteristics 460 V, 60 Hz, 40 HP

% of Rated Load	25	50	75	100	125	150
Power Factor	67	83	89	90	91	91
Efficiency	84.6	90.4	91.9	92.6	92	91.5
Speed	3587	3574	3561	3548	3533	3518
Line amperes	16.4	24.7	34.4	44.7	55.9	67.4

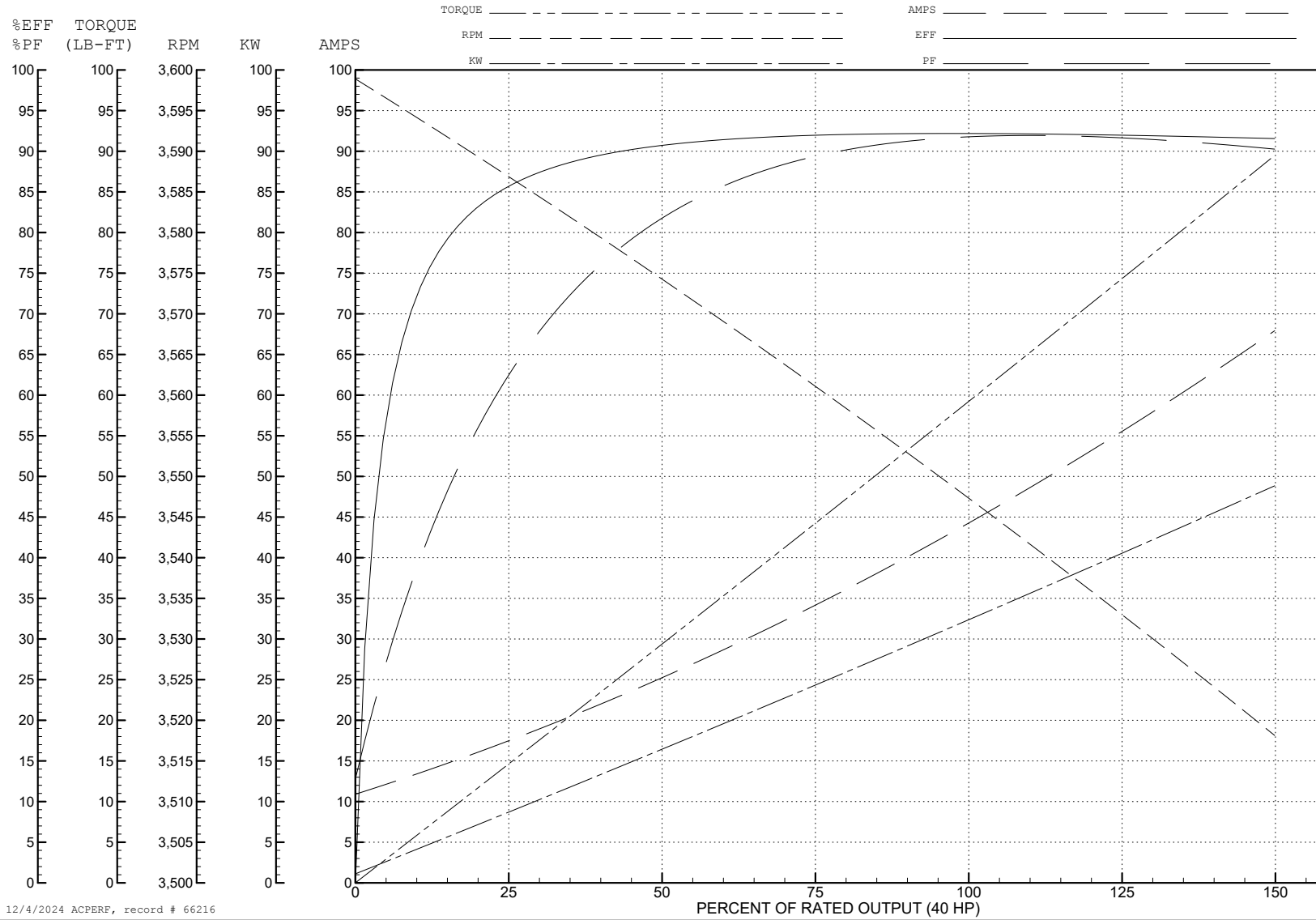
ABB Motors and Mechanical Inc.

WINDING # 12WGY584

Typical performance - not guaranteed values.

40 HP 3 PH 60 HZ 3540 RPM 460 V 1252M

TORQUES (LB-FT): PO=250 PU=85.8 LR=118 LRA=325



12/4/2024 ACPERF, record # 66216

AC Induction Motor Performance Data

Record # 75686

Typical performance - not guaranteed values

Winding: 12WGY584-R003		Type: 1252M	Enclosure: XPFC			
Nameplate Data			380 V, 50 Hz: High Voltage Connection			
Rated Output (HP)	40//30		Full Load Torque	53.34 LB-FT		
Volts	230/460//190/380		Start Configuration	direct on line		
Full Load Amps	90/45//82/41		Breakdown Torque	243 LB-FT		
R.P.M.	3540//2950		Pull-up Torque	91.37 LB-FT		
Hz	60//50	Phase	3	Locked-rotor Torque	126 LB-FT	
NEMA Design Code	A		KVA Code	H	Starting Current	319 A
Service Factor (S.F.)	1				No-load Current	11.51 A
NEMA Nom. Eff.	92.4	Power Factor	88		Line-line Res. @ 25°C	0.125 Ω
Rating - Duty	40C		AMB-CONT		Temp. Rise @ Rated Load	51°C
S.F. Amps					Temp. Rise @ S.F. Load	62°C
					Locked-rotor Power Factor	23.5
					Rotor inertia	4.07 LB-FT ²

Load Characteristics 380 V, 50 Hz, 30 HP

% of Rated Load	25	50	75	100	125	150
Power Factor	64	82	88	90	91	91
Efficiency	85.1	90.6	92	92.6	91.9	91.3
Speed	2988	2977	2965	2954	2941	2928
Line amperes	15.53	22.84	31.5	40.78	50.89	61.21

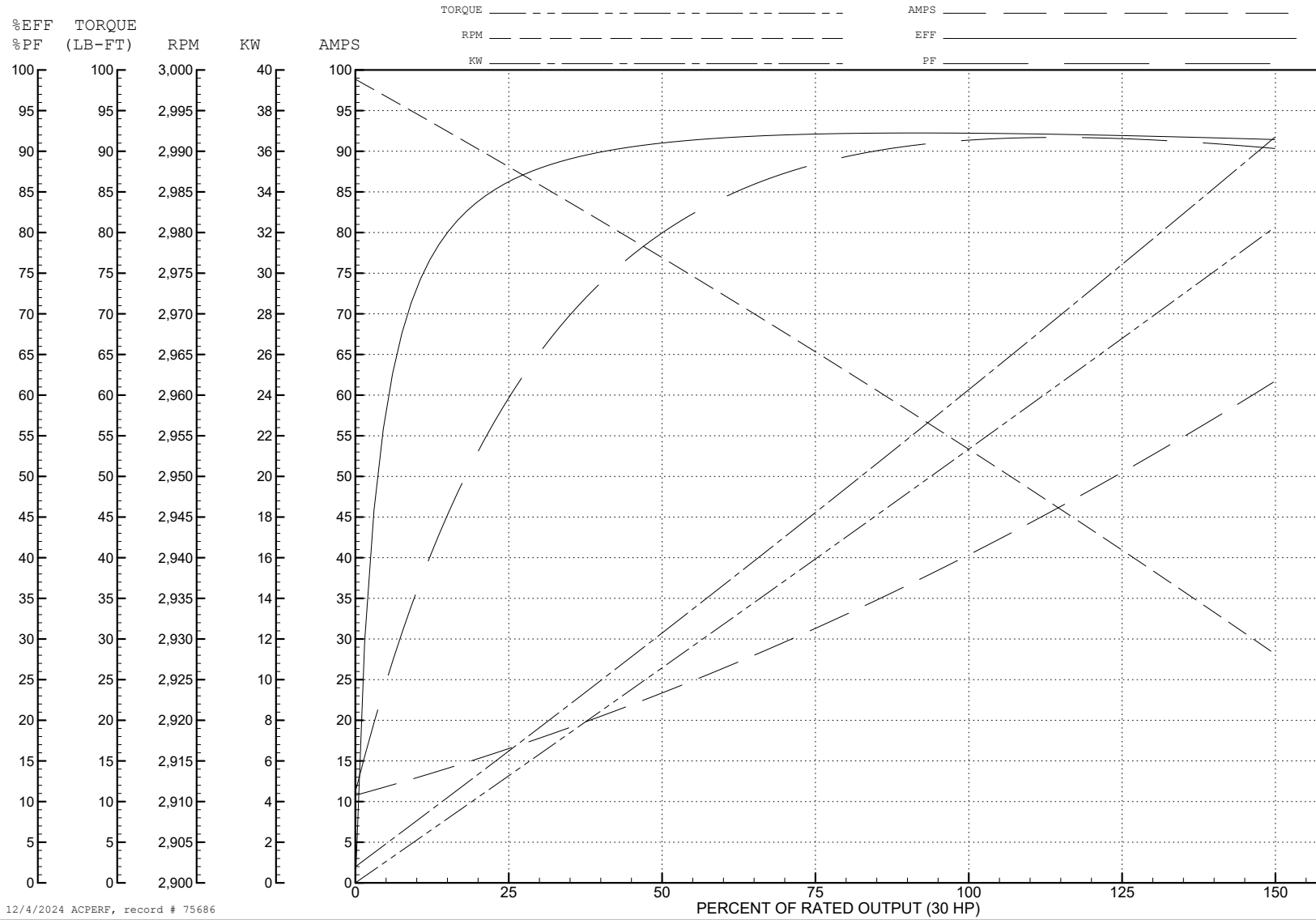
ABB Motors and Mechanical Inc.

WINDING # 12WGY584

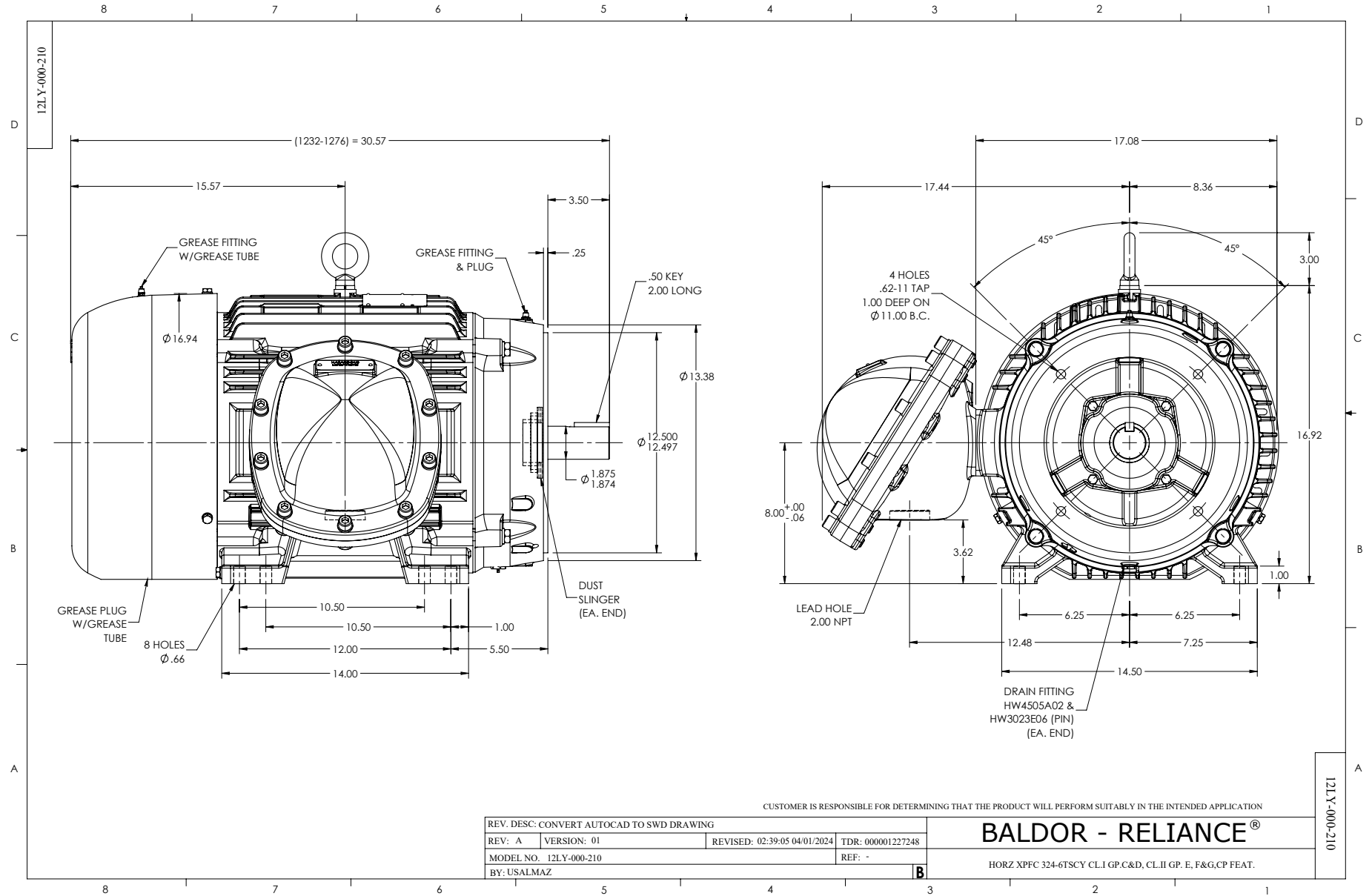
30 HP 3 PH 50 HZ 2954 RPM 380 V 1252M

Typical performance - not guaranteed values.

TORQUES (LB-FT): PO=243 PU=91.37 LR=126 LRA=319



12/4/2024 ACPERF, record # 75686



CD0180



LOW VOLTAGE
(2D)



HIGH VOLTAGE
(1D)



NOTES:

1. INTERCHANGE ANY TWO LINE LEADS TO REVERSE ROTATION.
2. OPTIONAL THERMOSTATS ARE PROVIDED WHEN SPECIFIED.
3. ACTUAL NUMBER OF INTERNAL PARALLEL CIRCUITS MAY BE A MULTIPLE OF THOSE SHOWN ABOVE.
4. LEAD COLORS ARE OPTIONAL. LEADS MUST ALWAYS BE NUMBERED AS SHOWN.

CD0180

REV. DESC: ADD CLASS CONN00000007		
REV. LTR: D	VERSION: 01	TDR: 000001099922
FILE: \AAA\00005\148	REVISED: 10: 25: 29 02/19/2019	BY: ENBRIRO
MTL: -	© □	

BALDOR - RELIANCE®

3PH, DV, 9 LEADS, DELTA CONNECTION

SH 1 of 1