

# ABB BALDOR RELIANCE III

---

## Customer information packet

### CCPX282546T

25HP, 1775//1475RPM, 3PH, 60HZ, 284TCY, XPFC,

Class - CLI GP C,D; CLII GP E,F,G

Division - Division I

**Specifications**

<b>Enclosure</b>	XPFC
<b>Frame</b>	284TCY
<b>Frame Material</b>	Iron
<b>Frequency</b>	50.00 Hz 60.00 Hz
<b>Haz Area Class and Group</b>	CLI GP C,D; CLII GP E,F,G
<b>Haz Area Division</b>	Division I
<b>Motor Letter Type</b>	Three Phase
<b>Output @ Frequency</b>	20.000 HP @ 50 HZ 25.000 HP @ 60 HZ
<b>Phase</b>	3
<b>Synchronous Speed @ Frequency</b>	1800 RPM @ 60 HZ
<b>Voltage @ Frequency</b>	380.0 V @ 50 HZ 230.0 V @ 60 HZ 460.0 V @ 60 HZ 190.0 V @ 50 HZ
<b>Agency Approvals</b>	CSA EEV UL
<b>Ambient Temperature</b>	40 °C
<b>Auxiliary Box</b>	NO AUXILLARY BOX
<b>Auxiliary Box Lead Termination</b>	None
<b>Base Indicator</b>	Rigid
<b>Bearing Grease Type</b>	Polyrex EM (-20F +300F)
<b>Blower</b>	None
<b>Constant Torque Speed Range</b>	6
<b>Current @ Voltage</b>	64.000 A @ 208.0 V 62.000 A @ 230.0 V 60.000 A @ 190.0 V 31.000 A @ 460.0 V 30.000 A @ 380.0 V
<b>Design Code</b>	A
<b>Drip Cover</b>	No Drip Cover

**Part Detail**

<b>Revision</b>	P
<b>Type</b>	AC
<b>Mech. spec.</b>	
<b>Base</b>	
<b>Status</b>	PRD/A
<b>Elec. spec.</b>	10WGZ651
<b>Layout</b>	10LY-000-222
<b>Eff. date</b>	11-22-2024
<b>CD Diagram</b>	CD0180
<b>Poles</b>	04
<b>Leads</b>	9#10
<b>Proprietary</b>	False
<b>Created date</b>	04-20-2019

<b>Duty Rating</b>	CONT
<b>Efficiency @ 100% Load</b>	93.6 %
<b>Electrically Isolated Bearing</b>	Not Electrically Isolated
<b>Enclosure Modification</b>	Severe Duty Features
<b>Feedback Device</b>	NO FEEDBACK
<b>Haz Area Temp Code</b>	T3C
<b>Heater Indicator</b>	No Heater
<b>High Voltage Full Load Amps</b>	30.0 a
<b>Insulation Class</b>	F
<b>Inverter Code</b>	Inverter Duty
<b>IP Rating</b>	IP55
<b>KVA Code</b>	J
<b>Lifting Lugs</b>	Standard Lifting Lugs
<b>Locked Bearing Indicator</b>	Locked Bearing
<b>Max Speed</b>	2700 rpm
<b>Motor Lead Termination</b>	Flying Leads
<b>Motor Standards</b>	NEMA
<b>Motor Type</b>	1054M
<b>Mounting Arrangement</b>	F1
<b>Number of Poles</b>	4
<b>Overall Length</b>	28.61 IN
<b>Power Factor</b>	81
<b>Product Family</b>	Chemical Process Features
<b>Pulley Face Code</b>	C-Face
<b>Rodent Screen</b>	None
<b>RoHS Status</b>	ROHS NON-COMPLIANT
<b>Service Factor</b>	1.00
<b>Shaft Diameter</b>	1.875 IN
<b>Shaft Ground Indicator</b>	No Shaft Grounding
<b>Shaft Rotation</b>	Reversible
<b>Speed</b>	1775 rpm
<b>Speed Code</b>	Single Speed
<b>Starting Method</b>	Direct on line
<b>Thermal Device - Bearing</b>	None

<b>Thermal Device - Winding</b>	<b>Normally Closed Thermostat</b>
<b>Vibration Sensor Indicator</b>	<b>No Vibration Sensor</b>
<b>Winding Thermal 1</b>	<b>None</b>
<b>Winding Thermal 2</b>	<b>None</b>

**Nameplate**

**NP2033XPSLEV**

<b>NO.</b>		<b>CC</b>	010A				
<b>S/N</b>		<b>TEMP CODE</b>	T3C				
<b>SPEC.</b>	10-0000-0739	<b>INV.TYPE</b>	PWM				
<b>CAT.NO.</b>	CCPX282546T	<b>C HP FR</b>	60	<b>C HP TO</b>	90		
<b>HP</b>	25//20	<b>CT HZ FROM</b>	6	<b>CT HZ TO</b>	60		
<b>VOLTS</b>	230/460//190/380	<b>VT HZ FROM</b>	6	<b>VT HZ TO</b>	60		
<b>AMPS</b>	62/31//60/30	<b>MAG CUR</b>	28/14				
<b>RPM</b>	1775//1475	<b>MX RPM</b>	2700				
<b>HZ</b>	60//50	<b>PH</b>	3	<b>CL</b>	F	<b>NOM.EFF.</b>	93.6
<b>SER.F.</b>	1.00	<b>DES</b>	A	<b>SL HZ</b>	0.83	<b>WK2</b>	4.13
<b>FRAME</b>	284TCY	<b>RATING</b>	40C AMB-CONT				
<b>BLANK</b>	55C AMB @ 1.0 SF, 60C RISE						
	1.15SF ON SINEWAVE		NEMA MG-1 PT.5,IP55				

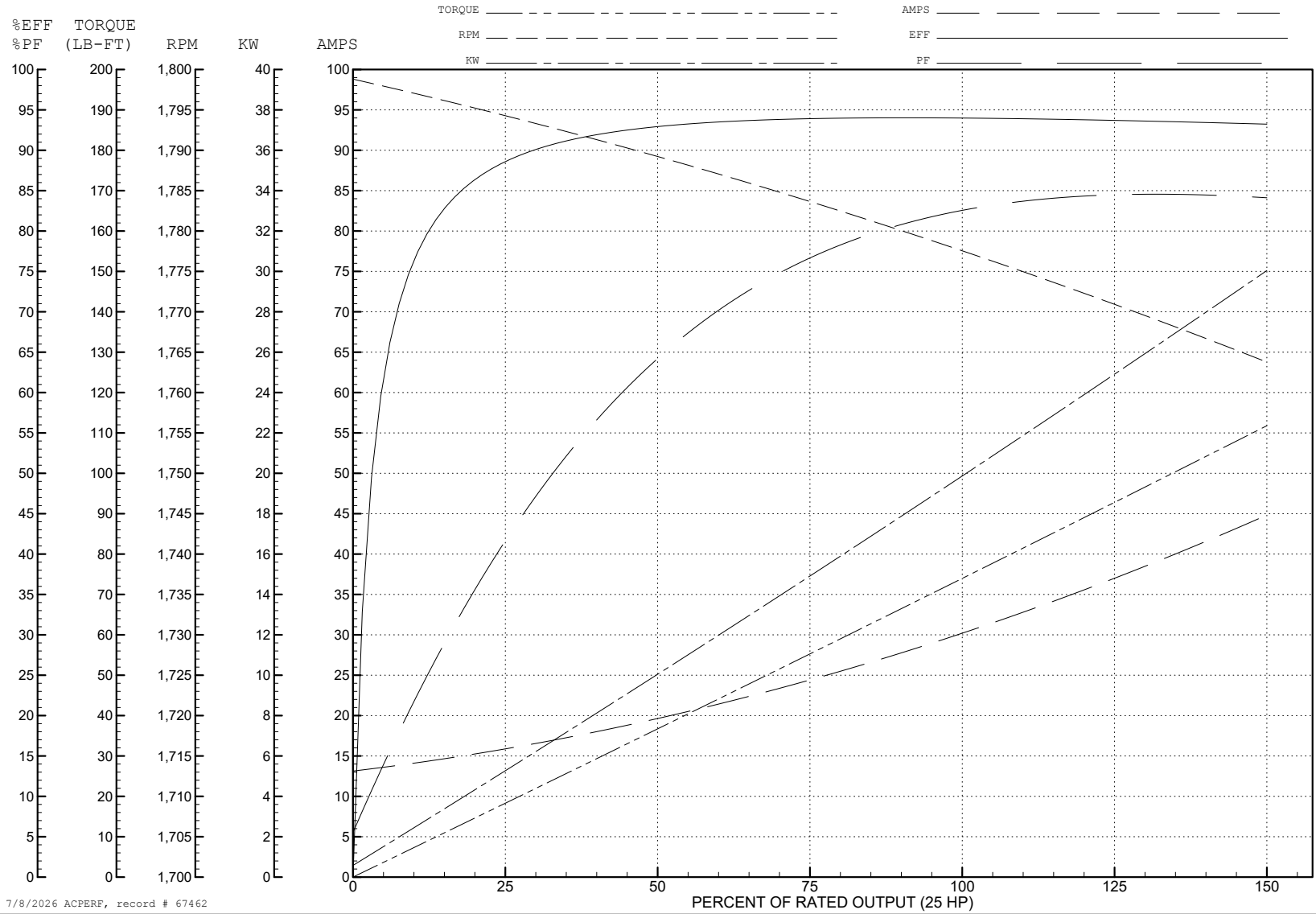
ABB Motors and Mechanical Inc.

WINDING # 10WGZ651

Typical performance - not guaranteed values.

25 HP 3 PH 60 HZ 1775 RPM 460 V 1054M

TORQUES (LB-FT): PO=262 PU=118 LR=142 LRA=223



7/8/2026 ACPERF, record # 67462

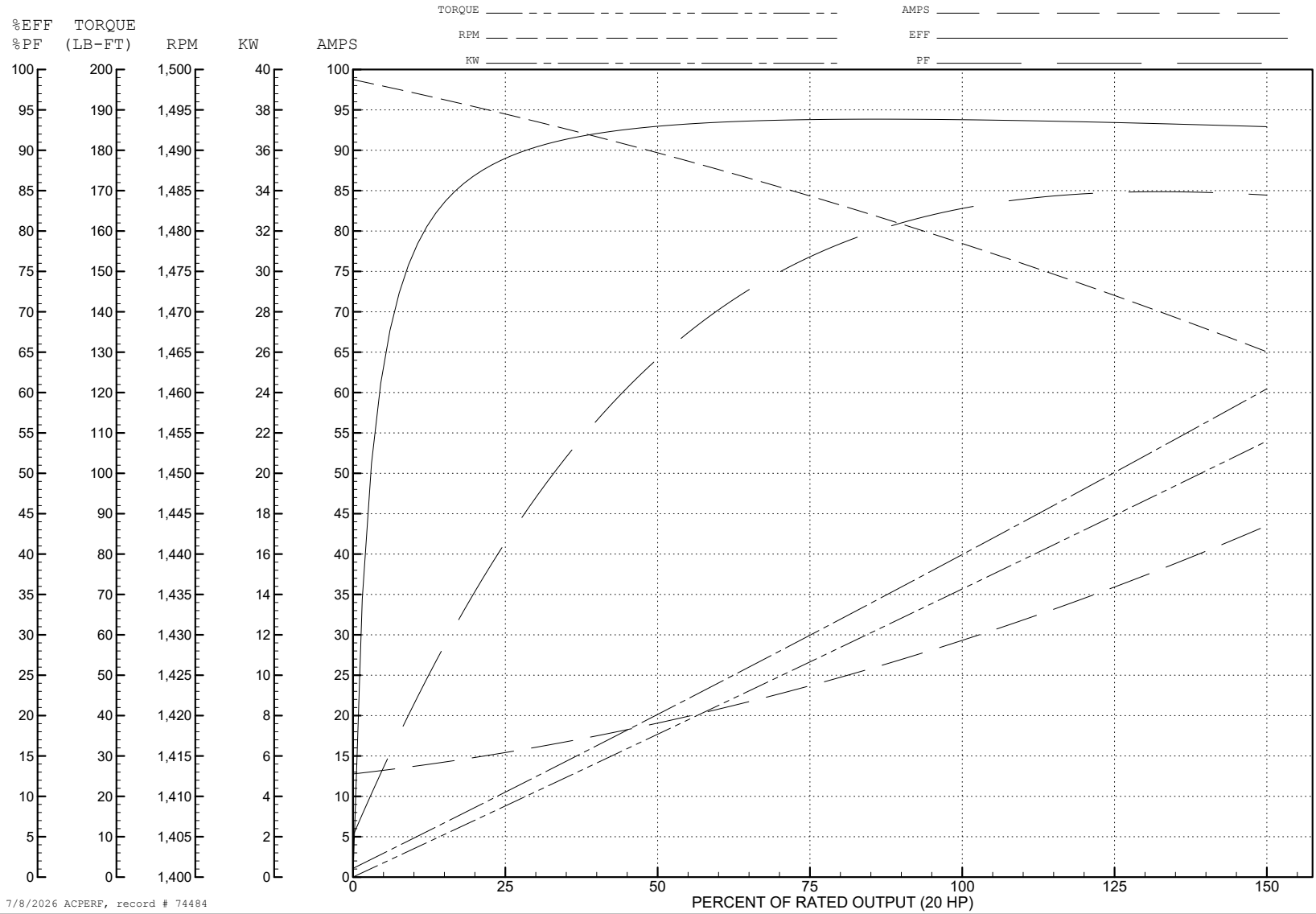
ABB Motors and Mechanical Inc.

WINDING # 10WGZ651

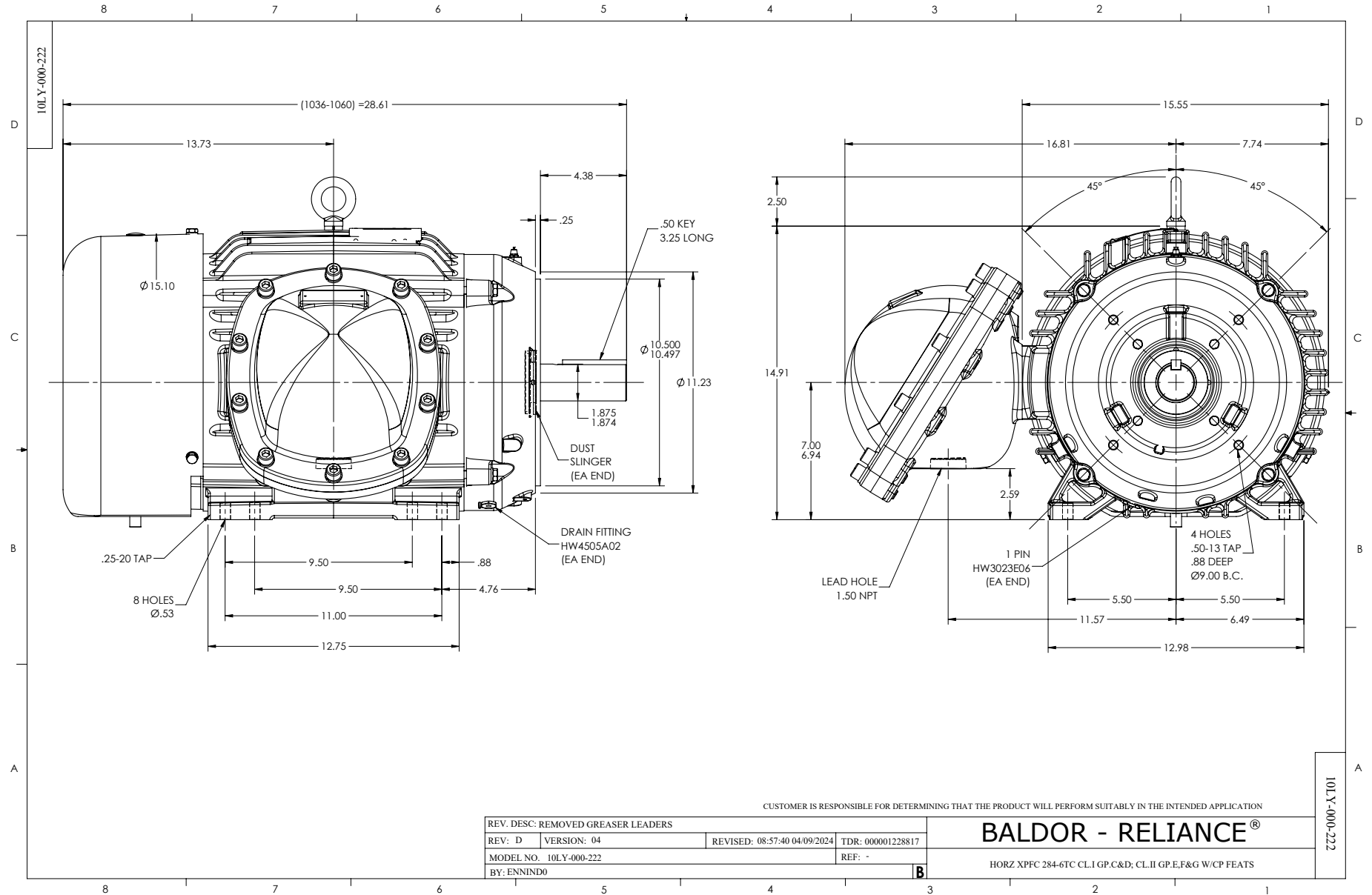
Typical performance - not guaranteed values.

20 HP 3 PH 50 HZ 1479 RPM 380 V 1054M

TORQUES (LB-FT): PO=254 PU=121 LR=146 LRA=213



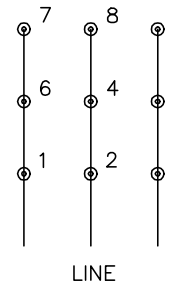
7/8/2026 ACPERF, record # 74484



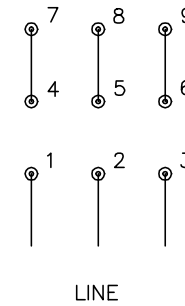
CD0180



LOW VOLTAGE  
(2D)



HIGH VOLTAGE  
(1D)



NOTES:

1. INTERCHANGE ANY TWO LINE LEADS TO REVERSE ROTATION.
2. OPTIONAL THERMOSTATS ARE PROVIDED WHEN SPECIFIED.
3. ACTUAL NUMBER OF INTERNAL PARALLEL CIRCUITS MAY BE A MULTIPLE OF THOSE SHOWN ABOVE.
4. LEAD COLORS ARE OPTIONAL. LEADS MUST ALWAYS BE NUMBERED AS SHOWN.

CD0180

REV. DESC: ADD CLASS CONN00000007		
REV. LTR: D	VERSION: 01	TDR: 000001099922
FILE: \AAA\00005\148	REVISED: 10: 25: 29 02/19/2019	BY: ENBRIRO
MTL: -	© □	

**BALDOR - RELIANCE®**

3PH, DV, 9 LEADS, DELTA CONNECTION

SH 1 of 1