

BALDOR • RELIANCE

Customer information packet

CCPX282526T

25HP, 3520//2925RPM, 3PH, 60HZ, 284TSCY, XPFC

Class - CLI GP C,D; CLII GP E,F,G

Division - Division I

Specifications

Enclosure	XPFC
Frame	284TSCY
Frame Material	Iron
Frequency	60.00 Hz
Haz Area Class and Group	CLI GP C,D; CLII GP E,F,G
Haz Area Division	Division I
Motor Letter Type	Three Phase
Output @ Frequency	20.000 HP @ 50 HZ 25.000 HP @ 60 HZ
Phase	3
Synchronous Speed @ Frequency	3600 RPM @ 60 HZ
Voltage @ Frequency	230.0 V @ 60 HZ 190.0 V @ 50 HZ 460.0 V @ 60 HZ 380.0 V @ 50 HZ
Agency Approvals	UL CSA EEV
Ambient Temperature	40 °C
Auxillary Box	No Auxillary Box
Auxillary Box Lead Termination	None
Base Indicator	Rigid
Bearing Grease Type	Polyrex EM (-20F +300F)
Blower	None
Constant Torque Speed Range	6
Current @ Voltage	56.000 A @ 230.0 V 54.000 A @ 190.0 V 28.000 A @ 460.0 V 27.000 A @ 380.0 V
Design Code	B
Drip Cover	No Drip Cover
Duty Rating	CONT
Efficiency @ 100% Load	91.7 %

Part detail

Revision	J
Type	AC
Mech. spec.	
Base	
Status	PRD/A
Elec. spec.	10WGZ273
Layout	10LY-000-521
Eff. date	05-02-2024
CD Diagram	CD0180
Poles	02
Leads	9#10
Proprietary	False
Created date	04-29-2019

Electrically Isolated Bearing	Not Electrically Isolated
Enclosure Modification	Severe Duty Features
Feedback Device	NO FEEDBACK
Haz Area Temp Code	T3C
Heater Indicator	No Heater
High Voltage Full Load Amps	27.0 a
Insulation Class	F
Inverter Code	Inverter Duty
IP Rating	IP55
KVA Code	F
Lifting Lugs	Standard Lifting Lugs
Locked Bearing Indicator	Locked Bearing
Max Speed	5400 rpm
Motor Lead Termination	Flying Leads
Motor Standards	NEMA
Motor Type	1048M
Mounting Arrangement	F1
Number of Poles	2
Overall Length	27.24 IN
Power Factor	90
Product Family	Chemical Process Features
Pulley Face Code	C-Face
Rodent Screen	None
RoHS Status	ROHS NON-COMPLIANT
Service Factor	1.00
Shaft Diameter	1.625 IN
Shaft Ground Indicator	No Shaft Grounding
Shaft Rotation	Reversible
Speed	3520 rpm
Speed Code	Single Speed
Starting Method	Direct on line
Thermal Device - Bearing	None
Thermal Device - Winding	Normally Closed Thermostat
Vibration Sensor Indicator	No Vibration Sensor

Winding Thermal 1

None

Winding Thermal 2

None

Nameplate

NP2033XPSLEV

NO.		CC	010A				
S/N		TEMP CODE	T3C				
SPEC.	10-0000-0735	INV.TYPE	PWM				
CAT.NO.	CCPX282526T	C HP FR	60	C HP TO	90		
HP	25//20	CT HZ FROM	6	CT HZ TO	60		
VOLTS	230/460//190/380	VT HZ FROM	6	VT HZ TO	60		
AMPS	56/28//54/27	MAG CUR	14/7				
RPM	3520//2925	MX RPM	5400				
HZ	60//50	PH	3	CL	F	NOM.EFF.	91.7
SER.F.	1.00	DES	B	SL HZ	1.3	WK2	2.07
FRAME	284TSCY	RATING	40C AMB-CONT				
BLANK	55C AMB @ 1.0 SF, 60C RISE						
	1.15SF ON SINEWAVE		NEMA MG-1 PT.5,IP55				

AC Induction Motor Performance Data

Record # 66217

Typical performance - not guaranteed values

Winding: 10WGZ273-R010		Type: 1048M		Enclosure: XPFC	
Nameplate Data			460 V, 60 Hz: Single Voltage Motor		
Rated Output (HP)	25	Full Load Torque	37.3 LB-FT		
Volts	230/460	Start Configuration	direct on line		
Full Load Amps	56/28	Breakdown Torque	103 LB-FT		
R.P.M.	3520	Pull-up Torque	42.1 LB-FT		
Hz	60 Phase	3	Locked-rotor Torque	54 LB-FT	
NEMA Design Code	B KVA Code	F	Starting Current	171 A	
Service Factor (S.F.)		1	No-load Current	6.99 A	
NEMA Nom. Eff.	91.7 Power Factor	90	Line-line Res. @ 25°C	0.29072 Ω	
Rating - Duty	40C AMB-CONT		Temp. Rise @ Rated Load	57°C	
			Locked-rotor Power Factor	23.3	
			Rotor inertia	2.06 LB-FT ²	

Load Characteristics 460 V, 60 Hz, 25 HP

% of Rated Load	25	50	75	100	125	150
Power Factor	69	83	89	90	90	90
Efficiency	87.8	91.6	92.2	91.8	90.9	89.7
Speed	3580.1	3563.2	3542.7	3521.3	3497	3469.9
Line amperes	10.1	15.4	21.7	28.3	35.7	43.5

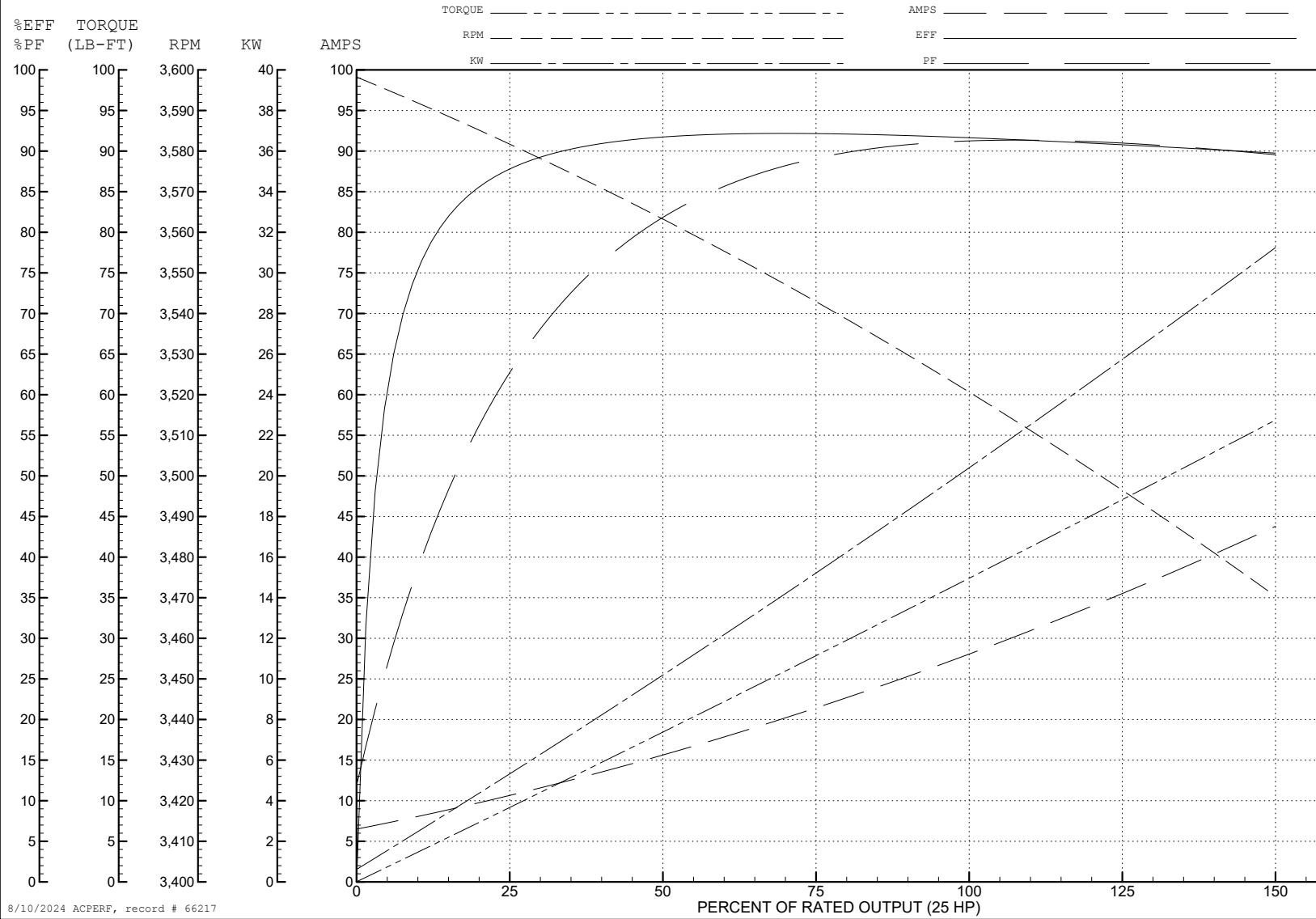
ABB Motors and Mechanical Inc.

WINDING # 10WGZ273

25 HP 3 PH 60 HZ 3520 RPM 460 V 1048M

Typical performance - not guaranteed values.

TORQUES (LB-FT): PO=103 PU=42.1 LR=54 LRA=171



8/10/2024 ACPERF, record # 66217

AC Induction Motor Performance Data

Record # 75690

Typical performance - not guaranteed values

Winding: 10WGZ273-R006		Type: 1048M		Enclosure: XPFC	
Nameplate Data			380 V, 50 Hz: High Voltage Connection		
Rated Output (HP)	25//20		Full Load Torque	35.93 LB-FT	
Volts	230/460//190/380		Start Configuration	direct on line	
Full Load Amps	56/28//54/27		Breakdown Torque	100 LB-FT	
R.P.M.	3520//2955		Pull-up Torque	44.79 LB-FT	
Hz	60//50	Phase	3	Locked-rotor Torque	57.45 LB-FT
NEMA Design Code	B KVA Code		F	Starting Current	168 A
Service Factor (S.F.)			1	No-load Current	6.91 A
NEMA Nom. Eff.	91.7	Power Factor	90	Line-line Res. @ 25°C	0.295 Ω
Rating - Duty	40C AMB-CONT			Temp. Rise @ Rated Load	55°C
S.F. Amps				Temp. Rise @ S.F. Load	69°C
				Locked-rotor Power Factor	26.3
				Rotor inertia	2.06 LB-FT ²

Load Characteristics 380 V, 50 Hz, 20 HP

% of Rated Load	25	50	75	100	125	150
Power Factor	67	82	88	90	90	90
Efficiency	88.7	92	92.2	91.5	90.4	89
Speed	2982	2966	2946	2926	2904	2878
Line amperes	9.81	14.92	21.05	27.48	34.66	42.37

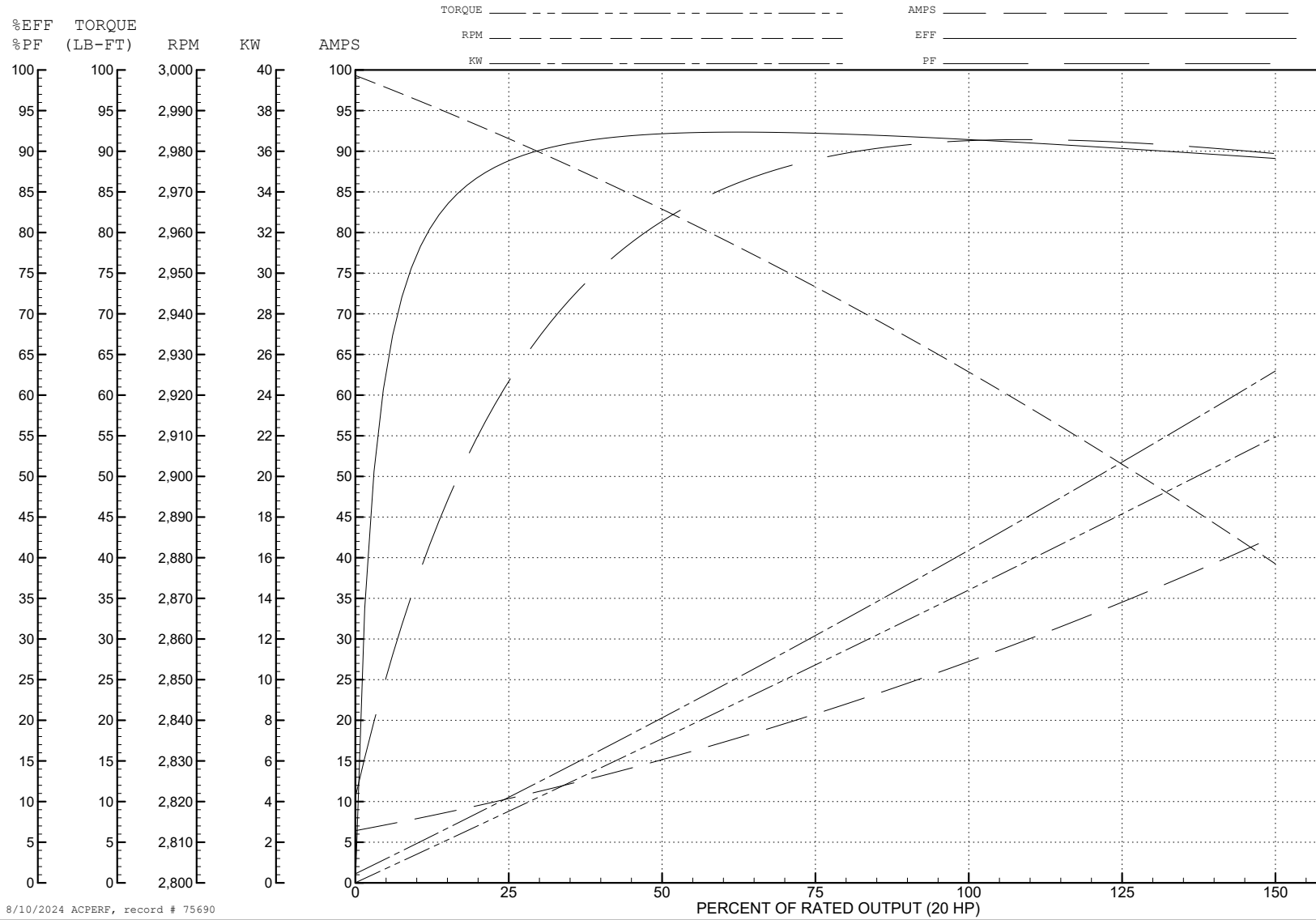
ABB Motors and Mechanical Inc.

WINDING # 10WGZ273

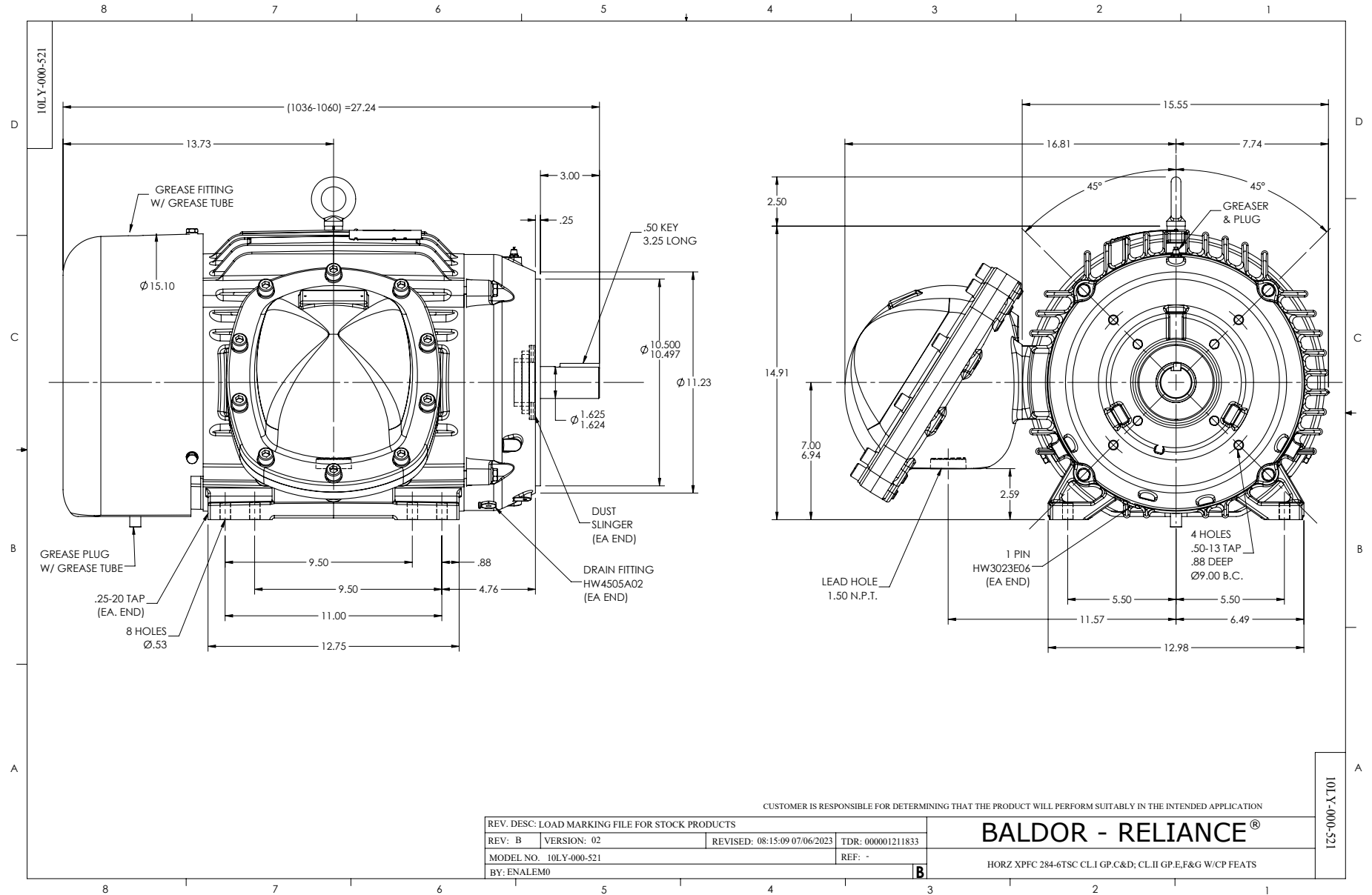
Typical performance - not guaranteed values.

20 HP 3 PH 50 HZ 2926 RPM 380 V 1048M

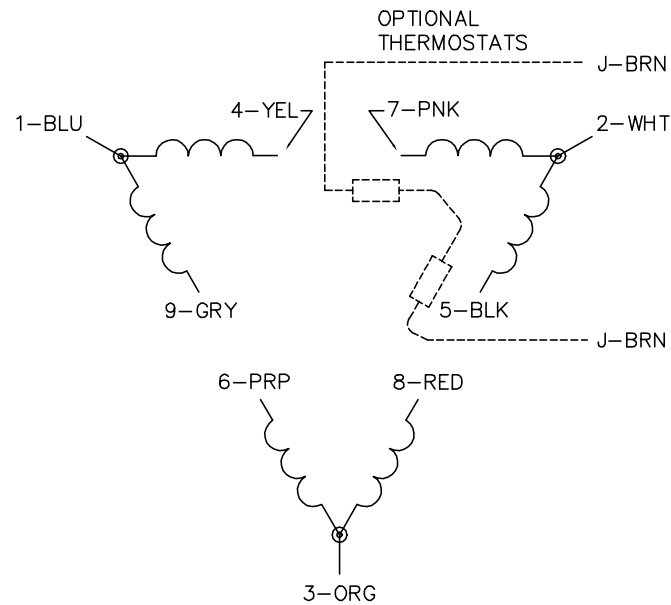
TORQUES (LB-FT): PO=100 PU=44.79 LR=57.45 LRA=168



8/10/2024 ACPERF, record # 75690



CD0180



LOW VOLTAGE
(2D)



HIGH VOLTAGE
(1D)



NOTES:

1. INTERCHANGE ANY TWO LINE LEADS TO REVERSE ROTATION.
2. OPTIONAL THERMOSTATS ARE PROVIDED WHEN SPECIFIED.
3. ACTUAL NUMBER OF INTERNAL PARALLEL CIRCUITS MAY BE A MULTIPLE OF THOSE SHOWN ABOVE.
4. LEAD COLORS ARE OPTIONAL. LEADS MUST ALWAYS BE NUMBERED AS SHOWN.

CD0180

REV. DESC: ADD CLASS CONN00000007		
REV. LTR: D	VERSION: 01	TDR: 000001099922
FILE: \AAA\00005\148	REVISED: 10:25:29 02/19/2019	BY: ENBRIRO
MTL: -	© □	

BALDOR - RELIANCE®

3PH, DV, 9 LEADS, DELTA CONNECTION

SH 1 of 1