



---

# Customer information packet

## CCPX25246T

20HP, 1770//1470RPM, 3PH, 60HZ, 256TC, XPFC, F  
Class - CLI GP C,D; CLII GP E,F,G  
Division - Division I

## Specifications

Enclosure	XPFC
Frame	256TC
Frame Material	Iron
Frequency	60.00 Hz
Haz Area Class and Group	CLI GP C,D; CLII GP E,F,G
Haz Area Division	Division I
Motor Letter Type	Three Phase
Output @ Frequency	15.000 HP @ 50 HZ 20.000 HP @ 60 HZ
Phase	3
Synchronous Speed @ Frequency	1800 RPM @ 60 HZ
Voltage @ Frequency	380.0 V @ 50 HZ 230.0 V @ 60 HZ 460.0 V @ 60 HZ 190.0 V @ 50 HZ
Agency Approvals	CSA EEV UL
Ambient Temperature	40 °C
Auxillary Box	No Auxillary Box
Auxillary Box Lead Termination	None
Base Indicator	Rigid
Bearing Grease Type	Polyrex EM (-20F +300F)
Blower	None
Constant Torque Speed Range	6
Current @ Voltage	52.000 A @ 208.0 V 48.000 A @ 230.0 V 44.000 A @ 190.0 V 24.000 A @ 460.0 V 22.000 A @ 380.0 V
Design Code	A
Drip Cover	No Drip Cover
Duty Rating	CONT

## Part detail

Revision	K
Type	AC
Mech. spec.	
Base	
Status	PRD/A
Elec. spec.	09WGT459
Layout	09LY-000-321
Eff. date	05-02-2024
CD Diagram	CD0180
Poles	04
Leads	9#10
Proprietary	False
Created date	04-20-2019

Efficiency @ 100% Load	93.0 %
Electrically Isolated Bearing	Not Electrically Isolated
Enclosure Modification	Severe Duty Features
Feedback Device	NO FEEDBACK
Haz Area Temp Code	T3C
Heater Indicator	No Heater
High Voltage Full Load Amps	22.0 a
Insulation Class	F
Inverter Code	Inverter Duty
IP Rating	IP55
KVA Code	J
Lifting Lugs	Standard Lifting Lugs
Locked Bearing Indicator	Locked Bearing
Max Speed	2700 rpm
Motor Lead Termination	Flying Leads
Motor Standards	NEMA
Motor Type	0960M
Mounting Arrangement	F1
Number of Poles	4
Overall Length	25.94 IN
Power Factor	83
Product Family	Chemical Process Features
Pulley Face Code	C-Face
Rodent Screen	None
RoHS Status	ROHS NON-COMPLIANT
Service Factor	1.00
Shaft Diameter	1.625 IN
Shaft Ground Indicator	No Shaft Grounding
Shaft Rotation	Reversible
Speed	1770 rpm
Speed Code	Single Speed
Starting Method	Direct on line
Thermal Device - Bearing	None
Thermal Device - Winding	Normally Closed Thermostat

<b>Vibration Sensor Indicator</b>	<b>No Vibration Sensor</b>
<b>Winding Thermal 1</b>	<b>None</b>
<b>Winding Thermal 2</b>	<b>None</b>

**Nameplate**

NP2033XPSLEV										
<b>NO.</b>		<b>CC</b>	010A							
<b>S/N</b>		<b>TEMP CODE</b>	T3C							
<b>SPEC.</b>	09-0000-1336		<b>INV.TYPE</b>	PWM						
<b>CAT.NO.</b>	CCPX25246T		<b>C HP FR</b>	60	<b>C HP TO</b>	90				
<b>HP</b>	20//15		<b>CT HZ FROM</b>	6	<b>CT HZ TO</b>	60				
<b>VOLTS</b>	230/460//190/380		<b>VT HZ FROM</b>	6	<b>VT HZ TO</b>	60				
<b>AMPS</b>	48/24//44/22		<b>MAG CUR</b>	20.8/10.4						
<b>RPM</b>	1770//1470		<b>MX RPM</b>	2700						
<b>HZ</b>	60//50	<b>PH</b>	3	<b>CL</b>	F	<b>NOM.EFF.</b>	93			
<b>SER.F.</b>	1.00	<b>DES</b>	A	<b>SL HZ</b>	1	<b>WK2</b>	2.62			
<b>FRAME</b>	256TC	<b>RATING</b>	40C AMB-CONT							
<b>BLANK</b>	55C AMB @ 1.0 SF, 60C RISE									
	1.15SF ON SINEWAVE									
										NEMA MG-1 PT.5,IP55

**AC Induction Motor Performance Data**

Record # 68068

Typical performance - not guaranteed values

Winding: 09WGT459-R009		Type: 0960M	Enclosure: XPFC	
<b>Nameplate Data</b>			<b>460 V, 60 Hz: High Voltage Connection</b>	
Rated Output (HP)	20	Full Load Torque	59.27 LB-FT	
Volts	230/460	Start Configuration	direct on line	
Full Load Amps	48/24	Breakdown Torque	232 LB-FT	
R.P.M.	1770	Pull-up Torque	126 LB-FT	
Hz	60	Locked-rotor Torque	141 LB-FT	
NEMA Design Code	A	Starting Current	198 A	
Service Factor (S.F.)	1	No-load Current	10.4 A	
NEMA Nom. Eff.	93	Line-line Res. @ 25°C	0.33814 Ω	
Rating - Duty	40C AMB-CONT	Temp. Rise @ Rated Load	58°C	
		Locked-rotor Power Factor	26.5	

**Load Characteristics 460 V, 60 Hz, 20 HP**

% of Rated Load	25	50	75	100	125	150
Power Factor	45	67	78	83	86	87
Efficiency	89.2	93	93.7	93.6	93.1	92.4
Speed	1793.2	1786.4	1779.1	1771.9	1763.7	1755.3
Line amperes	11.8	15	19.2	24	29.3	34.9

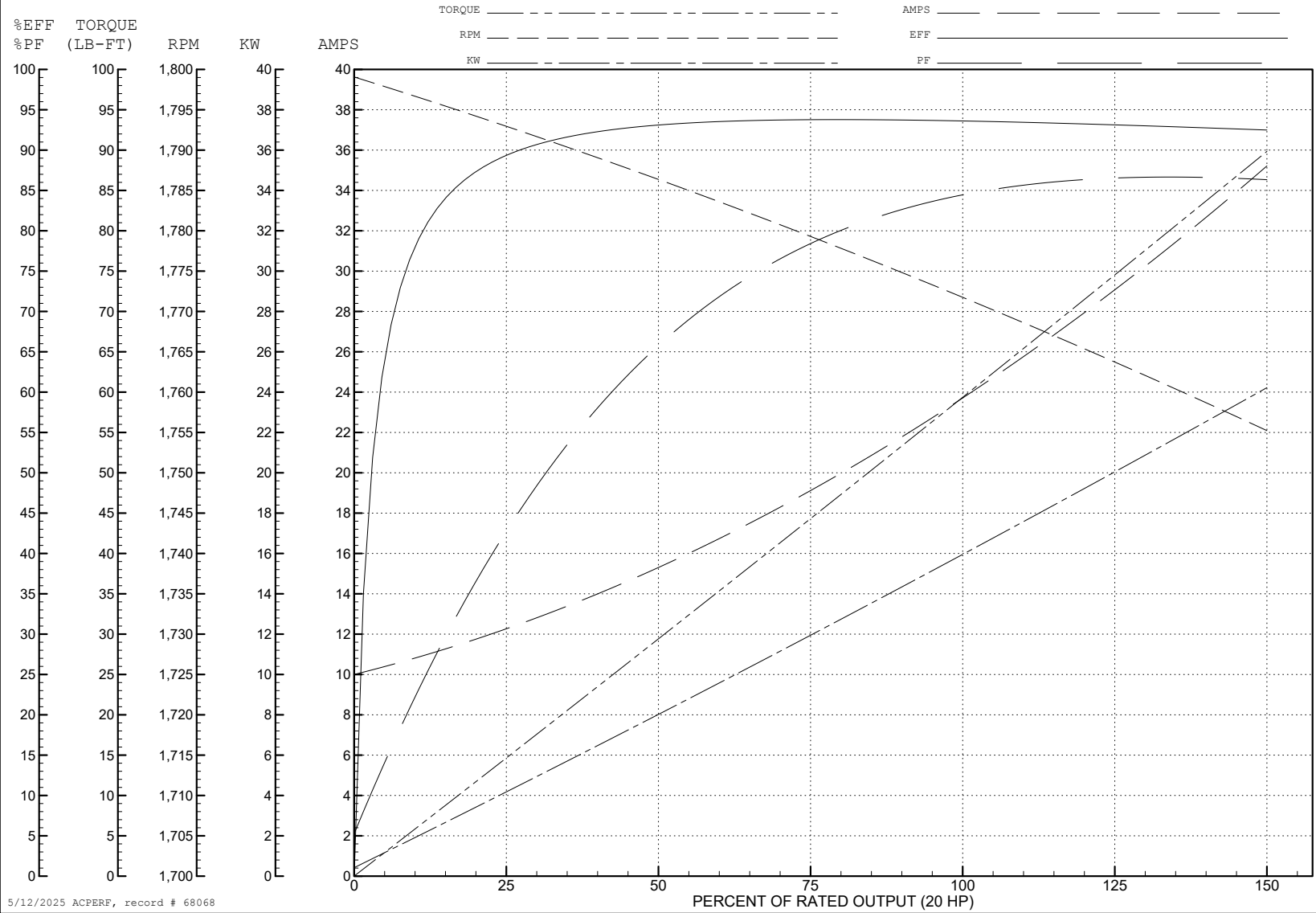
ABB Motors and Mechanical Inc.

WINDING # 09WGT459

Typical performance - not guaranteed values.

20 HP 3 PH 60 HZ 1770 RPM 460 V 0960M

TORQUES (LB-FT): PO=232 PU=126 LR=141 LRA=198



5/12/2025 ACPERF, record # 68068

**AC Induction Motor Performance Data**

Record # 75710

Typical performance - not guaranteed values

<b>Winding: 09WGT459-R033</b>		<b>Type: 0960M</b>		<b>Enclosure: XPFC</b>		
<b>Nameplate Data</b>			<b>380 V, 50 Hz: High Voltage Connection</b>			
<b>Rated Output (HP)</b>	20//15		<b>Full Load Torque</b>	53.39 LB-FT		
<b>Volts</b>	230/460//190/380		<b>Start Configuration</b>	direct on line		
<b>Full Load Amps</b>	48/24//44/22		<b>Breakdown Torque</b>	224 LB-FT		
<b>R.P.M.</b>	1770//1470		<b>Pull-up Torque</b>	130 LB-FT		
<b>Hz</b>	60//50	<b>Phase</b>	3	<b>Locked-rotor Torque</b>	146 LB-FT	
<b>NEMA Design Code</b>	A		<b>KVA Code</b>	J	<b>Starting Current</b>	193 A
<b>Service Factor (S.F.)</b>	1			<b>No-load Current</b>	10.15 A	
<b>NEMA Nom. Eff.</b>	93	<b>Power Factor</b>	83	<b>Line-line Res. @ 25°C</b>	0.332 Ω	
<b>Rating - Duty</b>	40C AMB-CONT			<b>Temp. Rise @ Rated Load</b>	50°C	
				<b>Locked-rotor Power Factor</b>	29.8	
				<b>Rotor inertia</b>	2.65 lb-ft <sup>2</sup>	

**Load Characteristics 380 V, 50 Hz, 15 HP**

<b>% of Rated Load</b>	<b>25</b>	<b>50</b>	<b>75</b>	<b>100</b>	<b>125</b>	<b>150</b>
<b>Power Factor</b>	43	65	77	83	85	87
<b>Efficiency</b>	89.1	92.8	93.5	93.4	92.8	92.1
<b>Speed</b>	1494	1488	1481	1475	1467	1460
<b>Line amperes</b>	11.28	14	17.72	21.99	26.74	31.76



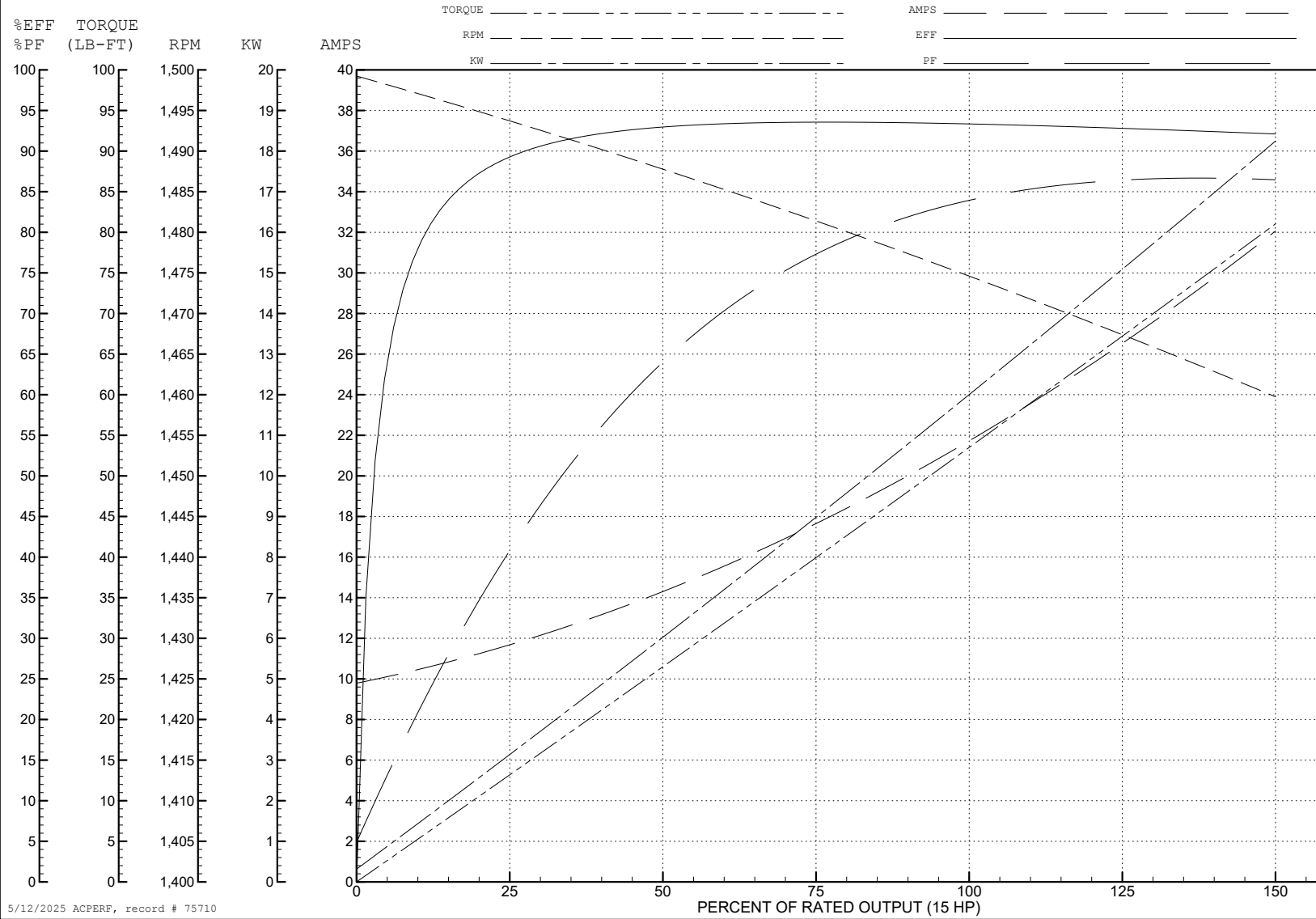
ABB Motors and Mechanical Inc.

WINDING # 09WGT459

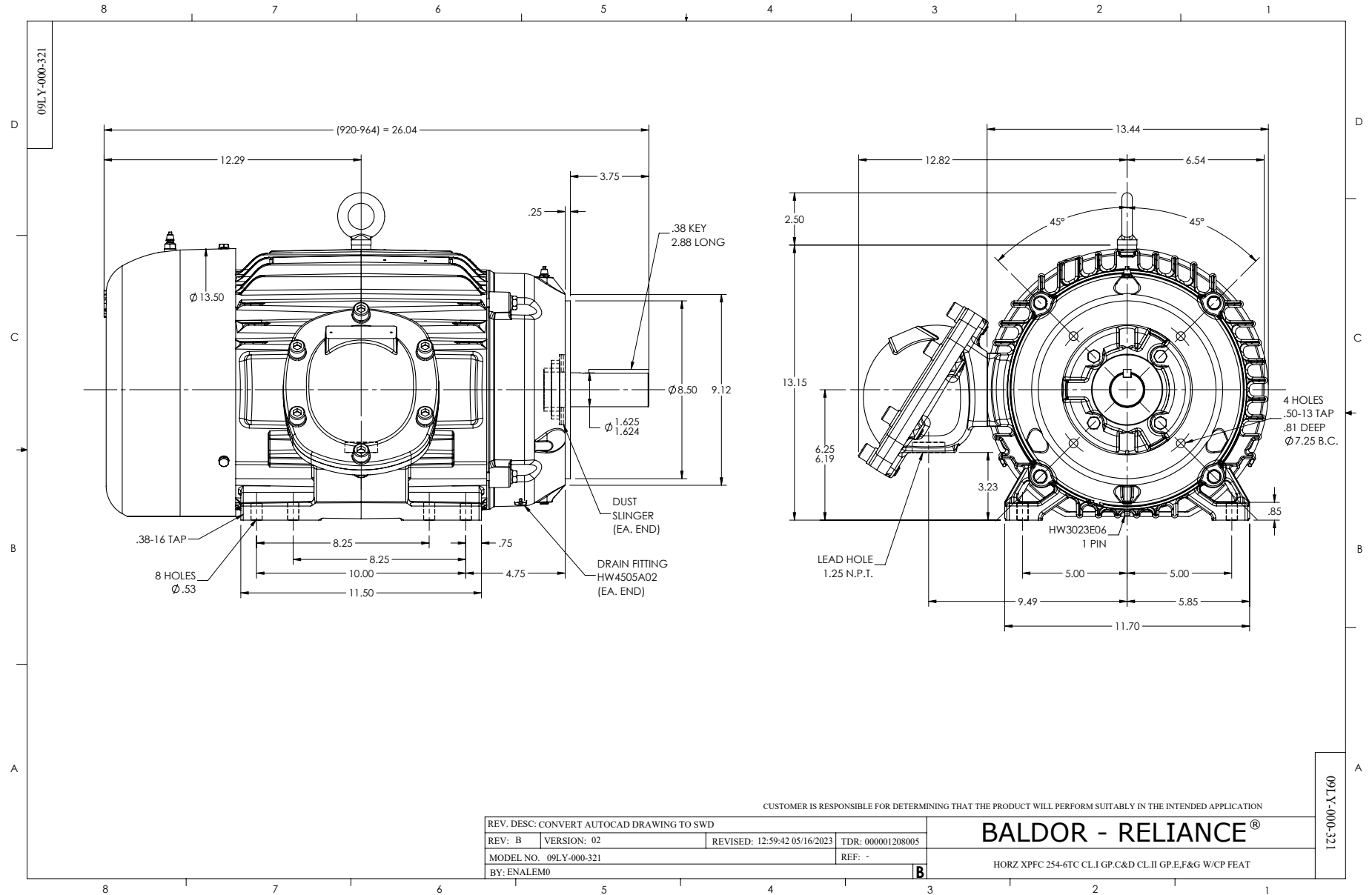
Typical performance - not guaranteed values.

15 HP 3 PH 50 HZ 1475 RPM 380 V 0960M

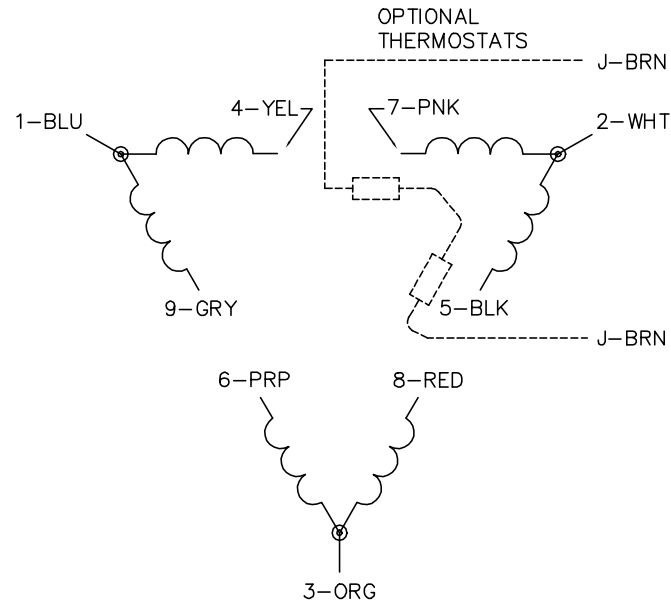
TORQUES (LB-FT): PO=224 PU=130 LR=146 LRA=193



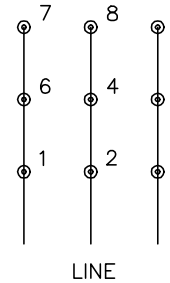
5/12/2025 ACPERF, record # 75710



CD0180



LOW VOLTAGE  
(2D)



HIGH VOLTAGE  
(1D)



**NOTES:**

1. INTERCHANGE ANY TWO LINE LEADS TO REVERSE ROTATION.
2. OPTIONAL THERMOSTATS ARE PROVIDED WHEN SPECIFIED.
3. ACTUAL NUMBER OF INTERNAL PARALLEL CIRCUITS MAY BE A MULTIPLE OF THOSE SHOWN ABOVE.
4. LEAD COLORS ARE OPTIONAL. LEADS MUST ALWAYS BE NUMBERED AS SHOWN.

CD0180

REV. DESC: ADD CLASS CONN00000007		
REV. LTR: D	VERSION: 01	TDR: 000001099922
FILE: \AAA\00005\148	REVISED: 10: 25: 29 02/19/2019	BY: ENBRIRO
MTL: -	© □	

**BALDOR - RELIANCE®**

3PH, DV, 9 LEADS, DELTA CONNECTION

SH 1 of 1