

BALDOR • RELIANCE

Customer information packet

CCPX251546T

15HP, 1765//1470RPM, 3PH, 60HZ, 254TC, XPFC, F

Class - CLI GP C,D; CLII GP E,F,G

Division - Division I

Specifications

Enclosure	XPFC
Frame	254TC
Frame Material	Iron
Frequency	60.00 Hz
Haz Area Class and Group	CLI GP C,D; CLII GP E,F,G
Haz Area Division	Division I
Motor Letter Type	Three Phase
Output @ Frequency	10.000 HP @ 50 HZ 15.000 HP @ 60 HZ
Phase	3
Synchronous Speed @ Frequency	1800 RPM @ 60 HZ
Voltage @ Frequency	380.0 V @ 50 HZ 230.0 V @ 60 HZ 460.0 V @ 60 HZ 190.0 V @ 50 HZ
Agency Approvals	CSA EEV UL
Ambient Temperature	40 °C
Auxillary Box	No Auxillary Box
Auxillary Box Lead Termination	None
Base Indicator	Rigid
Bearing Grease Type	Polyrex EM (-20F +300F)
Blower	None
Constant Torque Speed Range	6
Current @ Voltage	38.000 A @ 208.0 V 36.200 A @ 230.0 V 30.400 A @ 190.0 V 18.100 A @ 460.0 V 15.200 A @ 380.0 V
Design Code	A
Drip Cover	No Drip Cover
Duty Rating	CONT

Part detail

Revision	L
Type	AC
Mech. spec.	
Base	
Status	PRD/A
Elec. spec.	09WGZ910
Layout	09LY-000-321
Eff. date	05-02-2024
CD Diagram	CD0005
Poles	04
Leads	9#12
Proprietary	False
Created date	04-20-2019

Efficiency @ 100% Load	92.4 %
Electrically Isolated Bearing	Not Electrically Isolated
Enclosure Modification	Severe Duty Features
Feedback Device	NO FEEDBACK
Haz Area Temp Code	T3C
Heater Indicator	No Heater
High Voltage Full Load Amps	15.2 a
Insulation Class	F
Inverter Code	Inverter Duty
IP Rating	IP55
KVA Code	H
Lifting Lugs	Standard Lifting Lugs
Locked Bearing Indicator	Locked Bearing
Max Speed	2700 rpm
Motor Lead Termination	Flying Leads
Motor Standards	NEMA
Motor Type	0944M
Mounting Arrangement	F1
Number of Poles	4
Overall Length	25.94 IN
Power Factor	83
Product Family	Chemical Process Features
Pulley Face Code	C-Face
Rodent Screen	None
RoHS Status	ROHS NON-COMPLIANT
Service Factor	1.00
Shaft Diameter	1.625 IN
Shaft Ground Indicator	No Shaft Grounding
Shaft Rotation	Reversible
Speed	1765 rpm
Speed Code	Single Speed
Starting Method	Direct on line
Thermal Device - Bearing	None
Thermal Device - Winding	Normally Closed Thermostat

Vibration Sensor Indicator	No Vibration Sensor
Winding Thermal 1	None
Winding Thermal 2	None

Nameplate

NP2033XPSLEV										
NO.		CC	010A							
S/N		TEMP CODE	T3C							
SPEC.	09-0000-1334		INV.TYPE	PWM						
CAT.NO.	CCPX251546T		C HP FR	60	C HP TO	90				
HP	15//10		CT HZ FROM	6	CT HZ TO	60				
VOLTS	230/460//190/380		VT HZ FROM	6	VT HZ TO	60				
AMPS	36.2/18.1//30.4/15.2		MAG CUR	7.6						
RPM	1765//1470		MX RPM	2700						
HZ	60//50	PH	3	CL	F	NOM.EFF.	92.4			
SER.F.	1.00	DES	A	SL HZ	1.2	WK2	1.93			
FRAME	254TC	RATING	40C AMB-CONT							
BLANK	55C AMB @ 1.0 SF, 60C RISE									
	1.15SF ON SINEWAVE		NEMA MG-1 PT.5,IP55							

AC Induction Motor Performance Data

Record # 51149

Typical performance - not guaranteed values

Winding: 09WVGZ910-R044		Type: 0944M		Enclosure: XPFC	
Nameplate Data			460 V, 60 Hz: High Voltage Connection		
Rated Output (HP)	15		Full Load Torque	44.5 LB-FT	
Volts	230/460		Start Configuration	direct on line	
Full Load Amps	36.2/18.1		Breakdown Torque	153 LB-FT	
R.P.M.	1765		Pull-up Torque	69.5 LB-FT	
Hz	60 Phase	3	Locked-rotor Torque	86.5 LB-FT	
NEMA Design Code	A KVA Code	H	Starting Current	127 A	
Service Factor (S.F.)	1		No-load Current	7.56 A	
NEMA Nom. Eff.	92.4 Power Factor	83	Line-line Res. @ 25°C	0.59555 Ω	
Rating - Duty	40C AMB-CONT		Temp. Rise @ Rated Load	54°C	
			Locked-rotor Power Factor	33	
			Rotor inertia	1.92 LB-FT ²	

Load Characteristics 460 V, 60 Hz, 15 HP

% of Rated Load	25	50	75	100	125	150
Power Factor	45	69	79	83	85	87
Efficiency	88.2	92.2	92.7	92.4	91.5	90.4
Speed	1791.3	1783.1	1774	1765.2	1754.6	1743.1
Line amperes	8.62	11	14.5	18.1	22.6	26.9

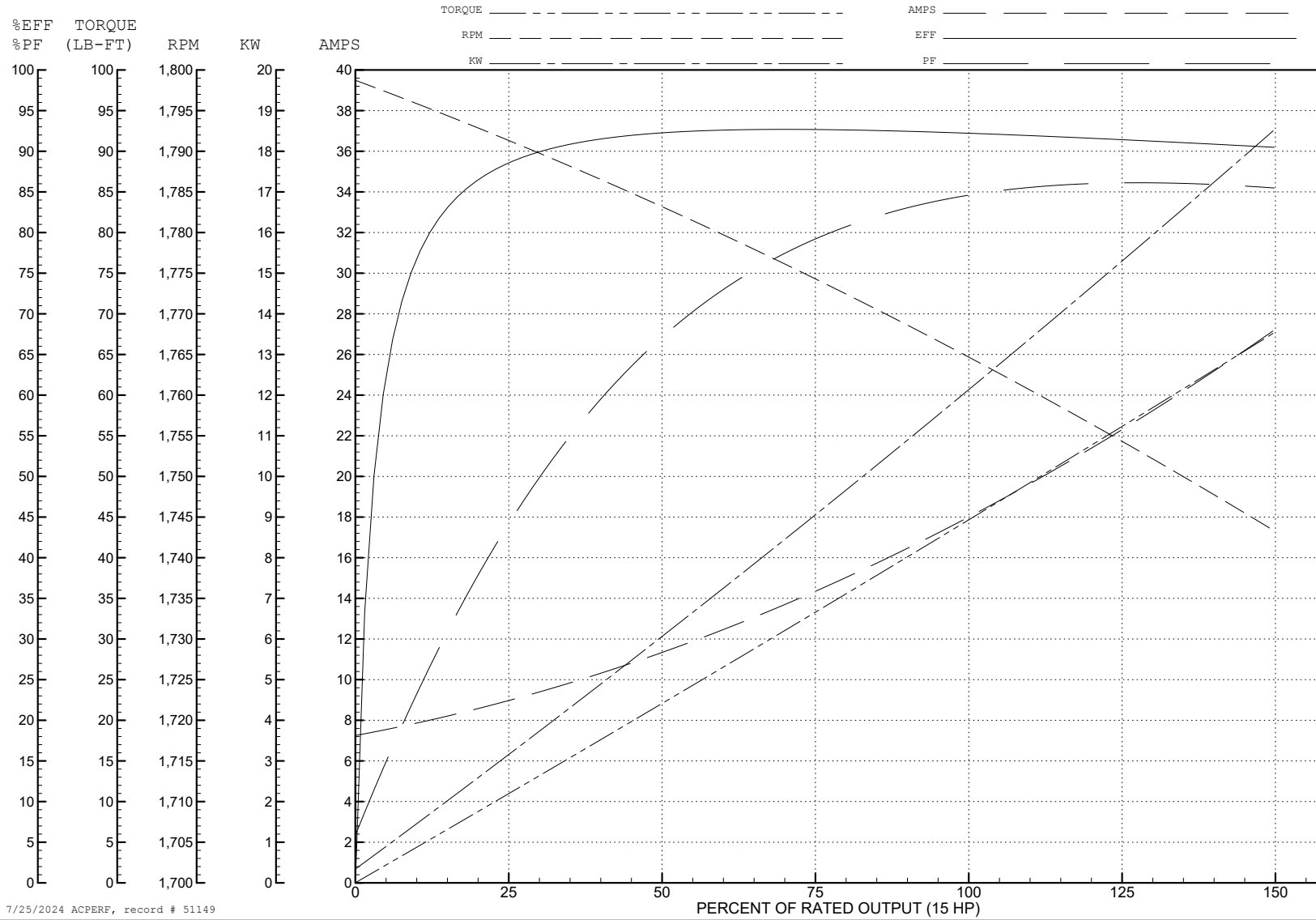
ABB Motors and Mechanical Inc.

WINDING # 09WGZ910

Typical performance - not guaranteed values.

15 HP 3 PH 60 HZ 1765 RPM 460 V 0944M

TORQUES (LB-FT): PO=153 PU=69.5 LR=86.5 LRA=127



7/25/2024 ACPERF, record # 51149

AC Induction Motor Performance Data

Record # 75708

Typical performance - not guaranteed values

Winding: 09WGW910-R063		Type: 0944M		Enclosure: XPFC		
Nameplate Data			380 V, 50 Hz: High Voltage Connection			
Rated Output (HP)	15//10		Full Load Torque	35.63 LB-FT		
Volts	230/460//190/380		Start Configuration	direct on line		
Full Load Amps	36.2/18.1//30.4/15.2		Breakdown Torque	147 LB-FT		
R.P.M.	1765//1470		Pull-up Torque	71.45 LB-FT		
Hz	60//50	Phase	3	Locked-rotor Torque	88.92 LB-FT	
NEMA Design Code	A		KVA Code	H	Starting Current	123 A
Service Factor (S.F.)	1			No-load Current	7.42 A	
NEMA Nom. Eff.	92.4	Power Factor	83	Line-line Res. @ 25°C	0.553 Ω	
Rating - Duty	40C AMB-CONT			Temp. Rise @ Rated Load	41°C	
S.F. Amps				Temp. Rise @ S.F. Load	51°C	
				Locked-rotor Power Factor	36.5	
				Rotor inertia	1.92 LB-FT ²	

Load Characteristics 380 V, 50 Hz, 10 HP

% of Rated Load	25	50	75	100	125	150
Power Factor	40	63	74	81	83	86
Efficiency	86.7	91.4	92.1	92	91.2	90.3
Speed	1493	1486	1479	1472	1463	1454
Line amperes	8.14	9.82	12.46	15.18	18.67	21.93

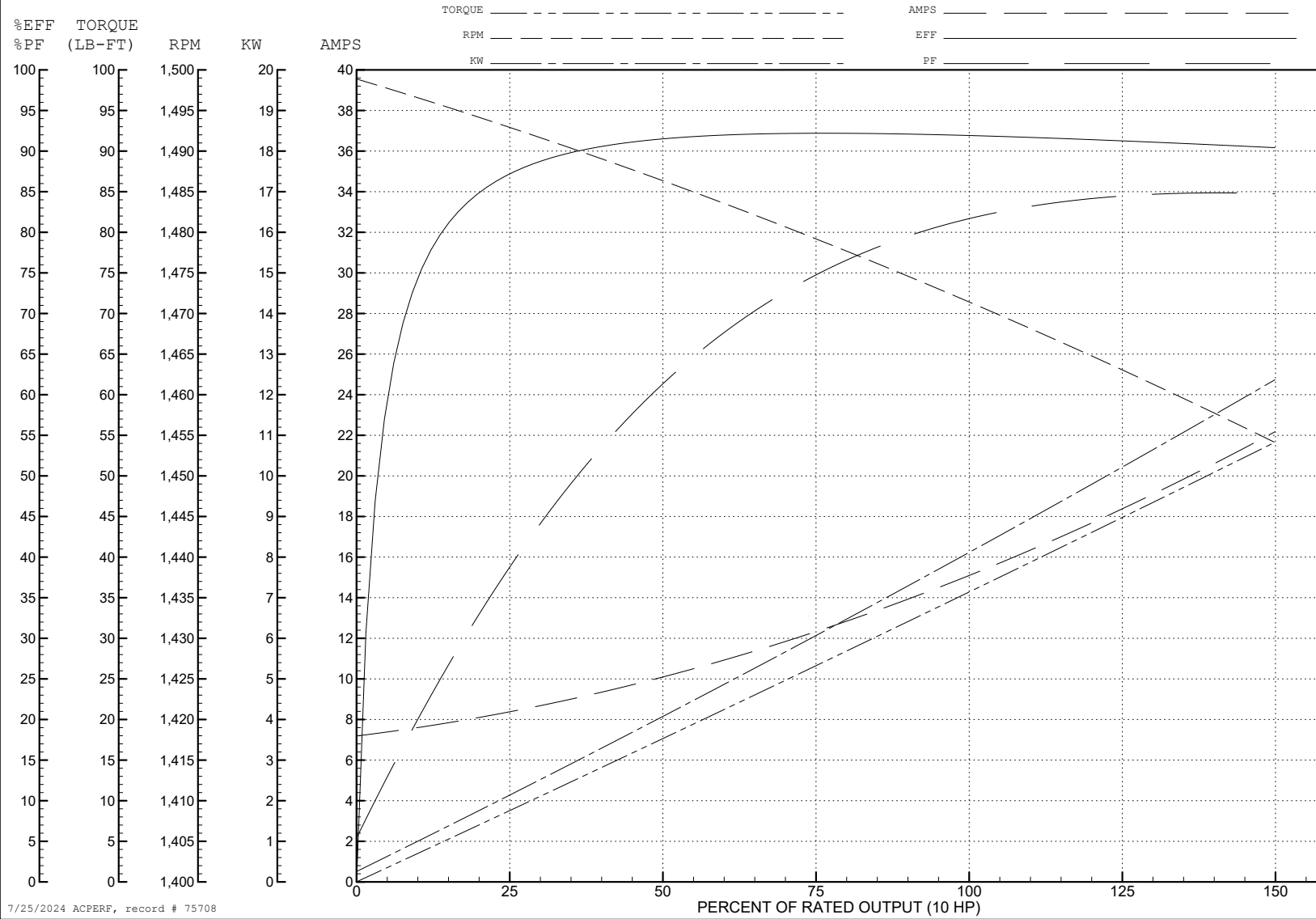
ABB Motors and Mechanical Inc.

WINDING # 09WGZ910

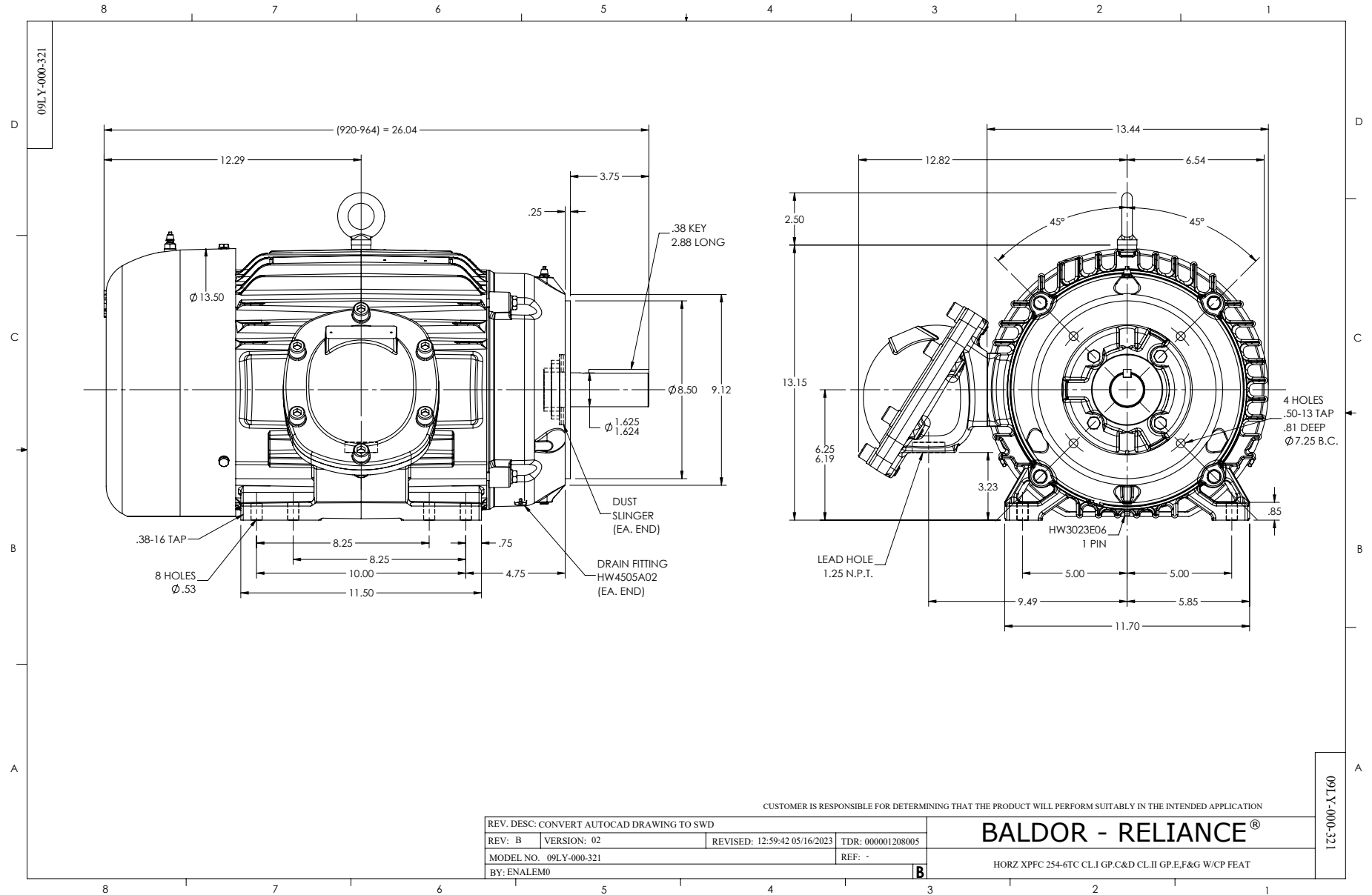
Typical performance - not guaranteed values.

10 HP 3 PH 50 HZ 1472 RPM 380 V 0944M

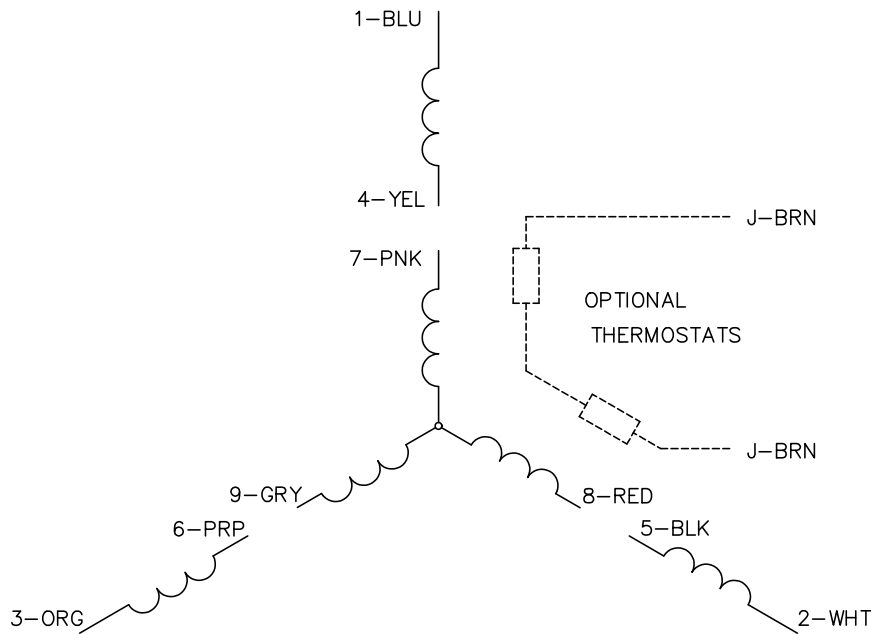
TORQUES (LB-FT): PO=147 PU=71.45 LR=88.92 LRA=123



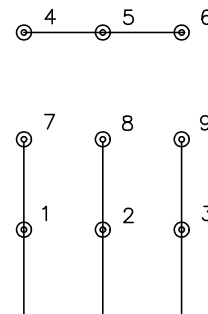
7/25/2024 ACPERF, record # 75708



CD0005

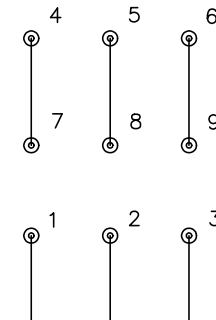


LOW VOLTAGE
(2Y)



LINE

HIGH VOLTAGE
(1Y)



LINE

NOTES:

1. INTERCHANGE ANY TWO LINE LEADS TO REVERSE ROTATION.
2. OPTIONAL THERMOSTATS ARE PROVIDED WHEN SPECIFIED.
3. ACTUAL NUMBER OF INTERNAL PARALLEL CIRCUITS MAY BE A MULTIPLE OF THOSE SHOWN ABOVE.
4. LEAD COLORS ARE OPTIONAL. LEADS MUST ALWAYS BE NUMBERED AS SHOWN.

CD0005

REV. DESC: REVISE TO SHOW OPTIONAL COLORS			
REV. LTR: E	BY: JLP	REVISED: 01/19/99 10:15	TDR: 0171435
S00000		FILE: AAA00005140	MDL: -
		MTL: -	

BALDOR ELECTRIC Co.

3PH, DV, 9 LEADS