

ABB BALDOR RELIANCE III

Customer information packet

CBXMN14142T

1//.75HP, 1770//1475RPM, 3PH, 60//50HZ, 143T

Class - CLI GP D; CLII GP F,G

Division - Division I

Specifications

Enclosure	XPNV
Frame	143TC
Frame Material	Steel
Frequency	50.00 Hz 60.00 Hz
Haz Area Class and Group	CLI GP D; CLII GP F,G
Haz Area Division	Division I
Motor Letter Type	Three Phase
Output @ Frequency	.750 HP @ 50 HZ 1.000 HP @ 60 HZ
Phase	3
Synchronous Speed @ Frequency	1800 RPM @ 60 HZ
Voltage @ Frequency	380.0 V @ 50 HZ 230.0 V @ 60 HZ 190.0 V @ 50 HZ 460.0 V @ 60 HZ
Agency Approvals	CSA EEV UL
Ambient Temperature	40 °C
Auxiliary Box	NO AUXILLARY BOX
Auxiliary Box Lead Termination	None
Base Indicator	Rigid
Bearing Grease Type	Polyrex EM (-20F +300F)
Blower	None
Constant Torque Speed Range	6
Current @ Voltage	3.340 A @ 230.0 V 3.300 A @ 208.0 V 3.200 A @ 190.0 V 1.670 A @ 460.0 V 1.600 A @ 380.0 V
Design Code	B
Drip Cover	No Drip Cover

Part Detail

Revision	B
Type	AC
Mech. spec.	35U456
Base	
Status	PRD/A
Elec. spec.	35WGZ818
Layout	35LYU456
Eff. date	03-08-2024
CD Diagram	CD0005
Poles	04
Leads	9#18
Proprietary	False
Created date	02-23-2023

Duty Rating	CONT
Efficiency @ 100% Load	85.5 %
Electrically Isolated Bearing	Not Electrically Isolated
Feedback Device	NO FEEDBACK
Front Shaft Indicator	None
Haz Area Temp Code	T3C
Heater Indicator	No Heater
High Voltage Full Load Amps	1.6 a
Insulation Class	F
Inverter Code	Inverter Duty
KVA Code	M
Lifting Lugs	No Lifting Lugs
Locked Bearing Indicator	Locked Bearing
Max Speed	2700 rpm
Motor Lead Quantity/Wire Size	9 @ 18 AWG
Motor Lead Termination	Flying Leads
Motor Standards	NEMA
Motor Type	X3522M
Mounting Arrangement	F1
Number of Poles	4
Overall Length	20.37 IN
Power Factor	66
Product Family	General Purpose
Pulley End Bearing Type	Ball
Pulley Face Code	C-Face
Pulley Shaft Indicator	Standard
Rodent Screen	None
Service Factor	1.00
Shaft Diameter	0.875 IN
Shaft Ground Indicator	No Shaft Grounding
Shaft Rotation	Reversible
Speed	1475 rpm 1770 rpm
Speed Code	Single Speed

Starting Method	Direct on line
Thermal Device - Bearing	None
Thermal Device - Winding	Normally Closed Thermostat
Vibration Sensor Indicator	No Vibration Sensor
Winding Thermal 1	None
Winding Thermal 2	None

Nameplate

NP0887XPSL

NO.		CC					
S/N		TEMP CODE	T3C				
SPEC.	35U456Z818	INV.TYPE	PWM				
CAT.NO.	CBXMN14142T	C HP FR	60	C HP TO	90		
HP	1//.75	CT HZ FROM	6	CT HZ TO	60		
VOLTS	230/460//190/380	VT HZ FROM	6	VT HZ TO	60		
AMPS	3.34/1.67//3.2/1.6	MAG CUR	-				
RPM	1770//1475	MX RPM	2700				
HZ	60//50	PH	3	CL	F	NOM.EFF.	85.5
SER.F.	1.00	DES	B	SL HZ	1	WK2	0.159
FRAME	143TC	RATING	40C AMB-CONT				
	MAG CUR 2.46/1.23//2.4/1.2						
	1.15 SF ON SINE WAVE						

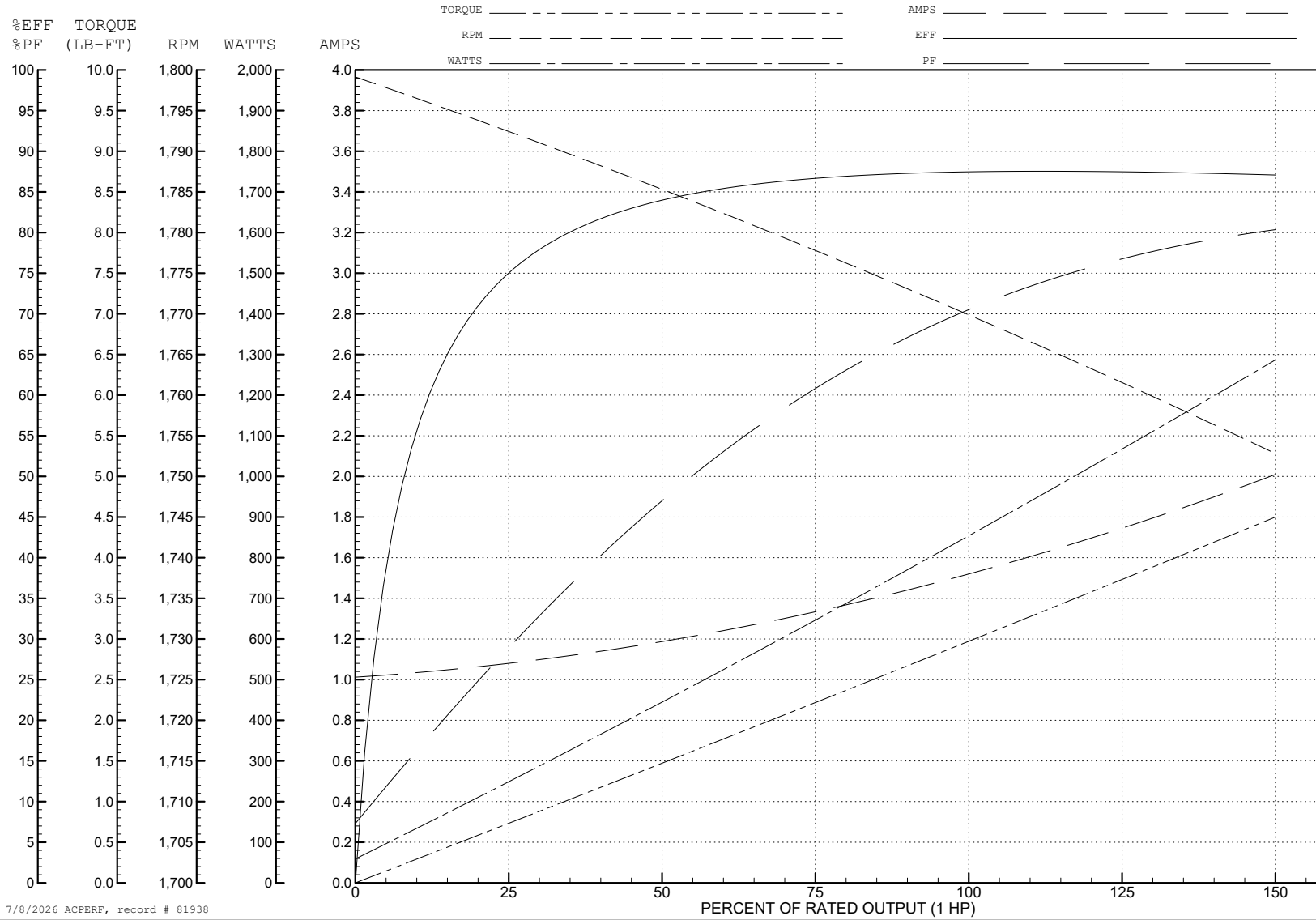
ABB Motors and Mechanical Inc.

WINDING # 35WGP529

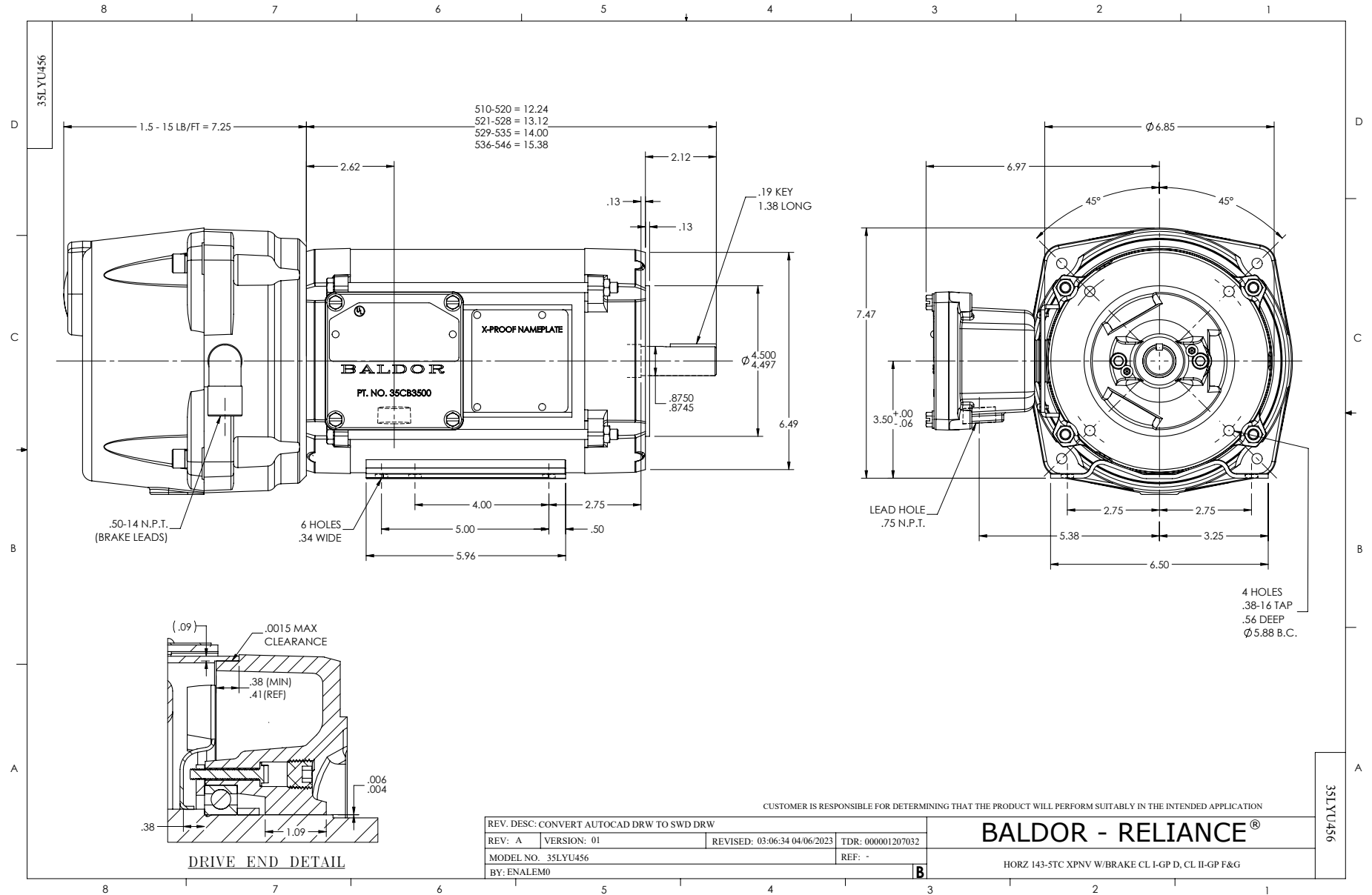
1 HP 3 PH 60 HZ 1770 RPM 460 V 3524M

Typical performance - not guaranteed values.

TORQUES (LB-FT): PO=15.8 PU=9.1 LR=11 LRA=15



7/8/2026 ACPERF, record # 81938



CD0005



LOW VOLTAGE
(2Y)



LINE

HIGH VOLTAGE
(1Y)



LINE

NOTES:

1. INTERCHANGE ANY TWO LINE LEADS TO REVERSE ROTATION.
2. OPTIONAL THERMOSTATS ARE PROVIDED WHEN SPECIFIED.
3. ACTUAL NUMBER OF INTERNAL PARALLEL CIRCUITS MAY BE A MULTIPLE OF THOSE SHOWN ABOVE.
4. LEAD COLORS ARE OPTIONAL. LEADS MUST ALWAYS BE NUMBERED AS SHOWN.

CD0005

REV. DESC: REVISE TO SHOW OPTIONAL COLORS

REV. LTR: E BY: JLP REVISED: 01/19/99 10:15 TDR: 0171435

500000

FILE: AAA00005140

MDL: -

MTL: -

BALDOR ELECTRIC Co.

3PH, DV, 9 LEADS