

ABB BALDOR RELIANCE III

Customer information packet

CBXMN050542

0.5HP, 1770RPM, 3PH, 60HZ, 56C, 3512M, XPNV, F1

Class - CLI GP D; CLII GP F,G

Division - Division I

Specifications

Enclosure	XPNV
Frame	56C
Frame Material	Steel
Frequency	60.00 Hz
Haz Area Class and Group	CLI GP D; CLII GP F,G
Haz Area Division	Division I
Motor Letter Type	Three Phase
Output @ Frequency	.500 HP @ 60 HZ
Phase	3
Synchronous Speed @ Frequency	1800 RPM @ 60 HZ
Voltage @ Frequency	460.0 V @ 60 HZ 208.0 V @ 60 HZ 230.0 V @ 60 HZ
Agency Approvals	UL CSA EEV
Ambient Temperature	40 °C
Auxiliary Box	NO AUXILLARY BOX
Auxiliary Box Lead Termination	None
Base Indicator	Rigid
Bearing Grease Type	Polyrex EM (-20F +300F)
Blower	None
Constant Torque Speed Range	6
Current @ Voltage	.900 A @ 460.0 V 1.800 A @ 230.0 V 1.900 A @ 208.0 V
Design Code	B
Drip Cover	No Drip Cover
Duty Rating	CONT
Efficiency @ 100% Load	80.0 %
Electrically Isolated Bearing	Not Electrically Isolated
Feedback Device	NO FEEDBACK
Haz Area Temp Code	T3C

Part Detail

Revision	C
Type	AC
Mech. spec.	
Base	
Status	PRD/A
Elec. spec.	35WGG155
Layout	35LYU641
Eff. date	03-08-2024
CD Diagram	CD0005
Poles	04
Leads	9#18
Proprietary	False
Created date	10-28-2021

Heater Indicator	No Heater
High Voltage Full Load Amps	0.9 a
Insulation Class	F
Inverter Code	Inverter Duty
KVA Code	M
Lifting Lugs	No Lifting Lugs
Locked Bearing Indicator	Locked Bearing
Max Speed	2700 rpm
Motor Lead Termination	Flying Leads
Motor Standards	NEMA
Motor Type	3512M
Mounting Arrangement	F1
Number of Poles	4
Overall Length	19.44 IN
Power Factor	62
Product Family	General Purpose
Pulley Face Code	C-Face
Rodent Screen	None
Service Factor	1.00
Shaft Diameter	0.625 IN
Shaft Ground Indicator	No Shaft Grounding
Shaft Rotation	Reversible
Speed	1770 rpm
Speed Code	Single Speed
Starting Method	Direct on line
Thermal Device - Bearing	None
Thermal Device - Winding	Normally Closed Thermostat
Vibration Sensor Indicator	No Vibration Sensor
Winding Thermal 1	None
Winding Thermal 2	None

Nameplate

NP0887XPSL

NO.		CC	
S/N		TEMP CODE	T3C
SPEC.	35-0000-1383	INV.TYPE	PWM
CAT.NO.	CBXMN050542	C HP FR	60
HP	.5	C HP TO	90
VOLTS	208-230/460	CT HZ FROM	6
AMPS	1.9-1.8/0.9	CT HZ TO	60
RPM	1770	VT HZ FROM	6
HZ	60	VT HZ TO	60
SER.F.	1.00	MAG CUR	1.3-1.6/0.8
FRAME	56C	MX RPM	2700
	RATING	NOM.EFF.	80
	40C AMB-CONT	PH	3
	1.15 SF ON SINE WAVE	CL	H
	75C RISE	SL HZ	1
		WK2	0.087

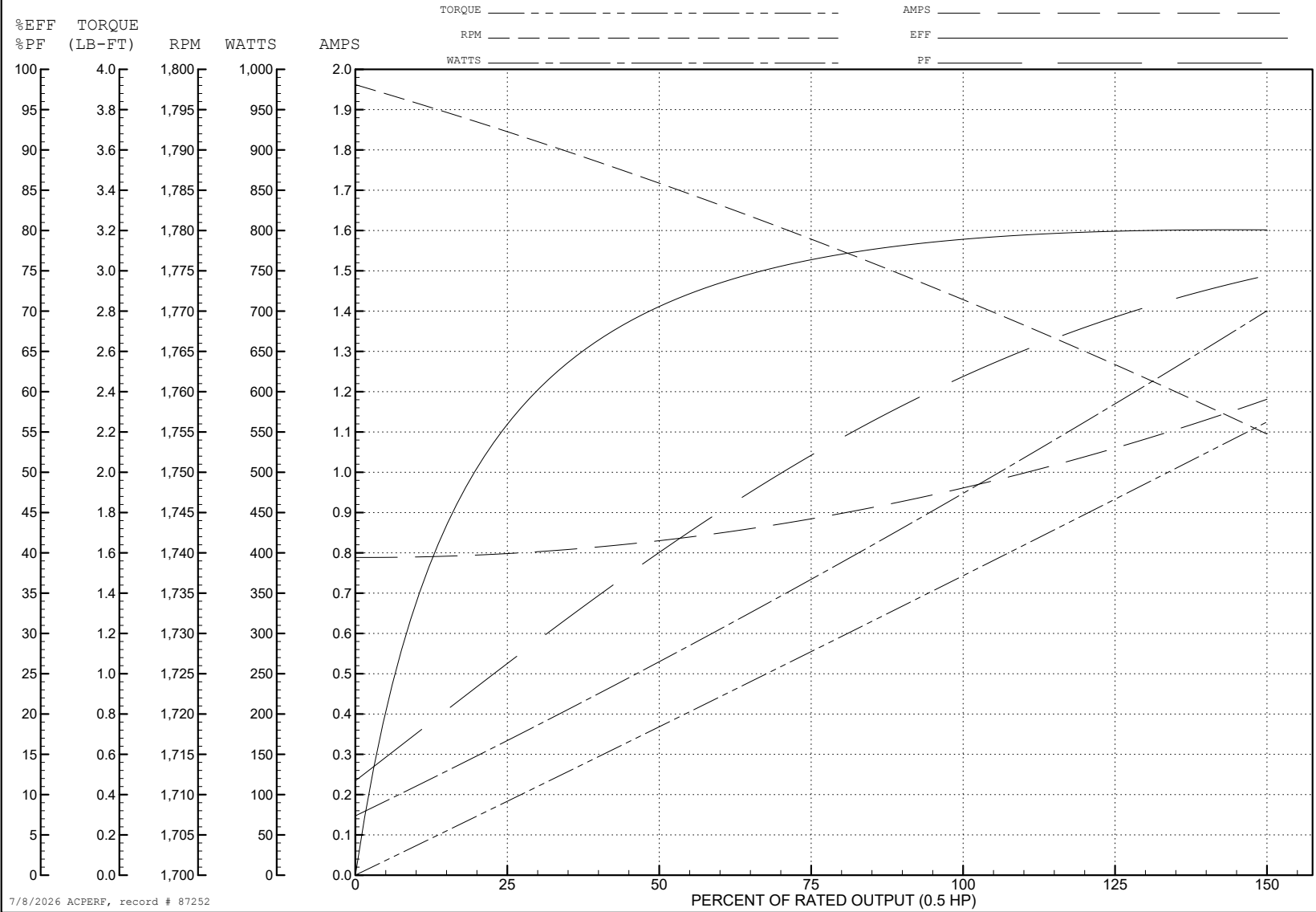
ABB Motors and Mechanical Inc.

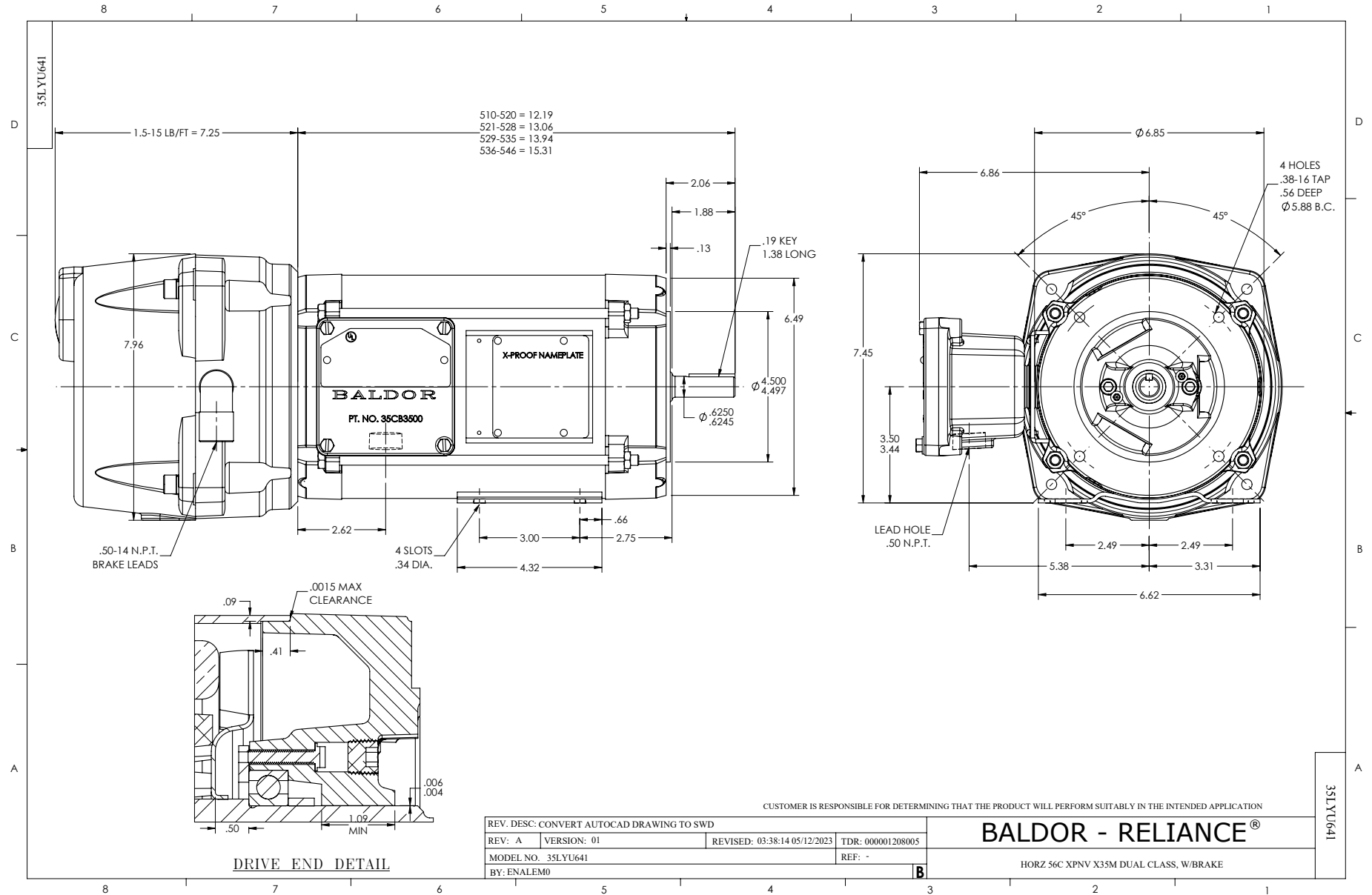
WINDING # 35WGG155

0.5 HP 3 PH 60 HZ 1770 RPM 460 V 3512M

Typical performance - not guaranteed values.

TORQUES (LB-FT): PO=6.28 PU=3.26 LR=4.04 LRA=6.71





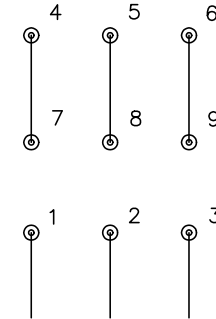
CD0005



LOW VOLTAGE
(2Y)



HIGH VOLTAGE
(1Y)



NOTES:

1. INTERCHANGE ANY TWO LINE LEADS TO REVERSE ROTATION.
2. OPTIONAL THERMOSTATS ARE PROVIDED WHEN SPECIFIED.
3. ACTUAL NUMBER OF INTERNAL PARALLEL CIRCUITS MAY BE A MULTIPLE OF THOSE SHOWN ABOVE.
4. LEAD COLORS ARE OPTIONAL. LEADS MUST ALWAYS BE NUMBERED AS SHOWN.

CD0005

REV. DESC: REVISE TO SHOW OPTIONAL COLORS			
REV. LTR: E	BY: JLP	REVISED: 01/19/99 10:15	TDR: 0171435
S00000		FILE: AAA00005140	MDL: -
		MTL: -	

BALDOR ELECTRIC Co.

3PH, DV, 9 LEADS