

BALDOR • RELIANCE

Customer information packet

C21G2702

5HP, 1730RPM, 1PH, 60HZ, 210TY, XPNV, V1

Class - CLI GP C,D

Division - Division I

Copyright © All product information within this document is subject to ABB Motors and Mechanical Inc. copyright © protection, unless otherwise noted.

6/13/2024 3:28:21 AM

Specifications

Enclosure	XPNV
Frame	180TY
Frame Material	Iron
Haz Area Class and Group	CLI GP C,D
Haz Area Division	Division I
Output @ Frequency	5.000 @ 60 HZ
Phase	1
Voltage @ Frequency	230 V @ 60 HZ
Agency Approvals	CCSA US CSA UL
Base Indicator	No Mounting
Bearing Grease Type	Polyrex EM (-20F +300F)
Cable Length	25 FOOT
Current @ Voltage	30.0 A @ 230 V
Design Code	L
Drip Cover	No Drip Cover
Duty Rating	15 MIN
Haz Area Temp Code	T3C
Heater Indicator	No Heater
Inverter Code	Inverter Ready
KVA Code	H
Lifting Lugs	Vertical Lifting Lugs
Motor Standards	NEMA
Mounting Arrangement	V1
Number of Poles	4
Overall Length	31.69 IN
Product Family	Other
Pulley End Bearing Type	Ball
Pulley Face Code	D-Flange
Service Factor	1.15
Shaft Rotation	Reversible

Part detail

Revision	A
Type	AC
Mech. spec.	
Base	
Status	PRD/A
Elec. spec.	A00020C J 005
Layout	066930-018
Eff. date	05-20-2020
CD Diagram	
Poles	04
Leads	
Proprietary	False
Created date	04-09-2015

Shaft Slinger Indicator	No Slinger
Speed Code	Single Speed
Starting Method	Direct on line
Thermal Device - Winding	Normally Closed Thermostat

Nameplate

000613007RC

CLASS I GROUP	C D X	NO.	
CLASS II GROUP	X X X		
OPERATING TEMP CODE	T3C		

000613007MN

SPEC NO.	C21G2702									
HP	5	AMPS	30.0	VOLTS	230	DESIGN	L			
FRAME SIZE	X0210TY	RPM	1730	HZ	60	AMB	40	SF	1.15	
D.E. BRG.	60BC02JPP30A	PH	1	DUTY	15MIN	INSUL	F			
O.D.E. BRG.	30BC02JPG30A	TYPE	CS	ENCL	TENV	CODE	H			
		POWER FACTOR		NEMA-NOM-EFF						
		MAX CORR KVAR		GUARANTEED EFFICIENCY						
		NEMA NOM/CSA QUOTED EFF @			100% LOAD					
SER.NO.		MOTOR WEIGHT			LBS.					
	SUB. IN WATER ONLY; *15 MIN									
	IN AIR MAX DEPTH- REFER TO									
	INSTR MANUAL CW ROT									

000613007MR

SPEC NO.	C21G2702									
HP	5	AMPS	30.0	VOLTS	230	DESIGN	L			
FRAME SIZE	X0210TY	RPM	1730	HZ	60	AMB	40	SF	1.15	
D.E. BRG.	60BC02JPP30A	PH	1	DUTY	15MIN		INSUL	F		
O.D.E. BRG.	30BC02JPG30A	TYPE	CS	ENCL	TENV		CODE	H		
		POWER FACTOR		NEMA-NOM-EFF						
		MAX CORR KVAR		GUARANTEED EFFICIENCY						
		NEMA NOM/CSA QUOTED EFF @		100% LOAD						
SER.NO.		MOTOR WEIGHT		LBS.						
	SUB. IN WATER ONLY; *15 MIN									
	IN AIR MAX DEPTH- REFER TO									
	INSTR MANUAL CW ROT									

000692000MB

CONTROL BOX 701455-23C

MODEL # C21G2702

5 HP ; 1730 RPM ; 230 VOLTS;

30.0 AMPS ; 60 HZ ; 1 PHASE;

W/D 413450-14

FINAL CONNECT AT 230V

DO NOT MOUNT

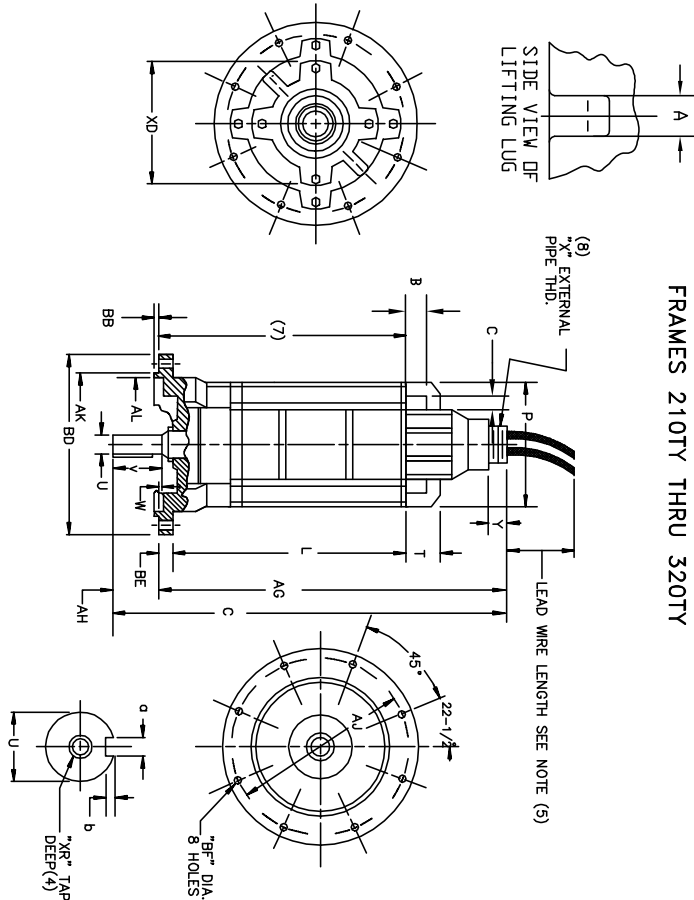
IN HAZARDOUS

LOCATION

066930-018

066930-018

DUTY MASTER ALTERNATING CURRENT MOTORS
 SQUIREL-CAGE INDUCTION
 ENCLOSURE: TOTALLY ENCLOSED
 SUBMERSIBLE
 FRAMES 210TY THRU 320TY



DIMENSIONS ARE IN INCHES. SEE SHEET 2 FOR MILLIMETERS.

FRAME	C	L	P	T	U(3)	V	W	AG	AH	AJ	AK (6)	AL	LEADING DIMENSIONS	
210TY	31.69	21.12	11.50	2.25	1.4375	12.00	44	30.12	1.56	14.12	13.125	12.00	.89	1.50
250TY	37.34	23.63	12.75	3.50	1.750	3.31	28	34.31	3.03	16.00	14.00	.75	2.25	2.12
320TY	43.12	24.89	15.75	4.25	2.300	3.19	2.12	37.81	3.31	17.25	16.000	15.25	1.25	2.25

FRAME	BD(2)	BE	BF	XR(4)	X (9)	Y	XO	BB	q	b	LENGTH (LB)(10)	WEIGHT
210TY	15.250	.75	1.56	5/8-11	2-1/2-8	1.25	7.75	2.5	.375	1.19	1.12	315
250TY	17.000	.89	1.69	5/8-11	2-1/2-8	1.25	7.75	2.5	.375	1.19	2.25	475
320TY	18.750	.89	1.69	3/4-10	3-8	1.25	10.88	2.5	.500	1.25	3.00	1150

- (1) SPECIAL DIMENSIONS ON THIS LINE.
- (2) "BD" VARIES #010.
- (3) "U" VARIES UP TO 1.625 DIA. +.0000, -.0005
1.625 DIA. AND LARGER +.000, -.001.
- (4) TAP DEPTH ON 210TY THRU 250TY IS 1.38"
TAP DEPTH ON 320TY IS 1.50"
- (5) LEAD WIRE LENGTH AS SPECIFIED ON CERTIFICATION
- (6) "AK" VARIES +.000, -.002
- (7) MINIMUM SUBMERGED DEPTH.
- (8) FACE RUNOUT AND ECCENTRICITY .008 MAX. T.I.R.
PROTECTIVE CONDUIT FURNISHED BY CUSTOMER.
SIZES NO. 4 AND LARGER.
- (9) DIMENSIONS IN INCHES
- (10) MOTOR WEIGHT VARIES +/- 15% WEIGHT DOES NOT INCLUDE THE WEIGHT OF THE CABLES

FRAME _____ TYPE _____ CERTIFIED FOR _____ RPM _____ PH _____ HZ _____ VOLTS _____
 ORDER _____ ITEM _____ HP _____ APPROVED BY _____ DATE _____
 RELIANCE SALES ORDER _____

CUSTOMER IS RESPONSIBLE FOR DETERMINING THAT BALDOR'S PRODUCT WILL PERFORM SUITABLY IN THE INTENDED APPLICATION.

REV. LTR: F	VERSION: 06	TDR: 000001168191
FILE: \RGG\00006\320	REVISED: 11:54:41 05/14/2021	BY: RGGJAO
MTL: -		

BALDOR - RELIANCE®

DIMENSION SHEET DUTY MASTER A/C MOTORS

SH 1 of 2