

BALDOR • RELIANCE

Customer information packet

C21G2701

3HP, 1200RPM, 1PH, 60HZ, 210TY, XPNV, FOOTLES

Class - CLI GP C,D

Division - Division I

Copyright © All product information within this document is subject to ABB Motors and Mechanical Inc. copyright © protection, unless otherwise noted.

2/22/2024 7:16:17 AM

Specifications

Enclosure	XPNV
Frame	210TY
Frame Material	Iron
Output @ Frequency	3.000 @ 60 HZ
Phase	1
Voltage @ Frequency	230 V @ 60 HZ 115 V @ 60 HZ
XP Class and Group	CLI GP C,D
XP Division	Division I
Agency Approvals	CCSA US CSA UL
Base Indicator	No Mounting
Bearing Grease Type	Polyrex EM (-20F +300F)
Cable Length	25 FOOT
Current @ Voltage	21.0 A @ 230 V 42.0 A @ 115 V
Design Code	L
Drip Cover	No Drip Cover
Duty Rating	15 MIN
Heater Indicator	No Heater
Inverter Code	Inverter Ready
KVA Code	J
Lifting Lugs	Vertical Lifting Lugs
Motor Standards	NEMA
Mounting Arrangement	V1
Number of Poles	6
Overall Length	32.41 IN
Product Family	Other
Pulley End Bearing Type	Ball
Pulley Face Code	P-Base
Service Factor	1.15

Part detail

Revision	-
Type	AC
Mech. spec.	
Base	
Status	PRD/A
Elec. spec.	A00011B E 007
Layout	066930-021
Eff. date	04-13-2015
CD Diagram	
Poles	06
Leads	
Proprietary	False
Created date	04-09-2015

Shaft Rotation	Reversible
Shaft Slinger Indicator	No Slinger
Speed Code	Single Speed
Starting Method	Direct on line
Thermal Device - Winding	Normally Closed Thermostat
XP Temp Code	T3C

Nameplate

000613007MN									
CAT NO		SPEC NO.	C21G2701						
HP	3	AMPS	42.0/21.0	VOLTS	115/ 230	DESIGN	L		
FRAME SIZE	X0210TY	RPM	1160	HZ	60	AMB	40	SF	1.15
D.E. BRG.	60BC02JPP30A	PH	1	DUTY	*	INSUL	F		
O.D.E. BRG.	30BC02JPG30A	TYPE	CS	ENCL	TENV	CODE	J		
		POWER FACTOR		NEMA-NOM-EFF					
		MAX CORR KVAR		GUARANTEED EFFICIENCY					
		NEMA NOM/CSA QUOTED EFF @		100% LOAD					
SER.NO.		MOTOR WEIGHT	270	LBS.					
	*15 MIN IN AIR ;SUB.IN								
	WATER/SEWAGE ONLY; FINAL								
	CONN@230V SEE MANUAL FOR								

000613007MR

CAT NO		SPEC NO.	C21G2701						
HP	3	AMPS	42.0/21.0	VOLTS	115/ 230	DESIGN	L		
FRAME SIZE	X0210TY	RPM	1160	HZ	60	AMB	40	SF	1.15
D.E. BRG.	60BC02JPP30A	PH	1	DUTY	*	INSUL	F		
O.D.E. BRG.	30BC02JPG30A	TYPE	CS	ENCL	TENV	CODE	J		
		POWER FACTOR		NEMA-NOM-EFF					
		MAX CORR KVAR		GUARANTEED EFFICIENCY					
		NEMA NOM/CSA QUOTED EFF @			100% LOAD				
SER.NO.		MOTOR WEIGHT	270	LBS.					
	*15 MIN IN AIR ;SUB.IN								
	WATER/SEWAGE ONLY; FINAL								
	CONN@230V SEE MANUAL FOR								

000692000MB

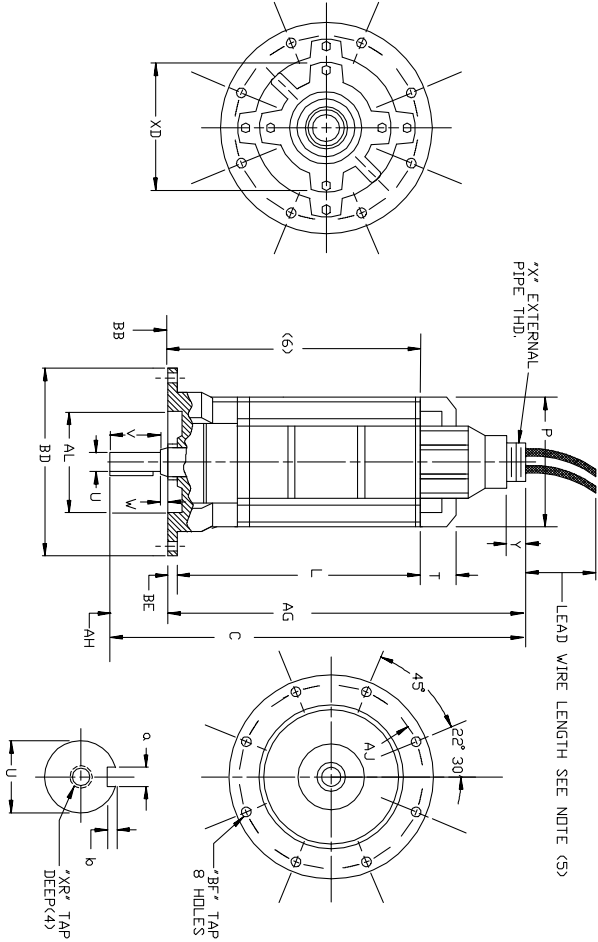
CONTROL BOX 701455002K	
MODEL NUMBER C21G2701	
HP 3 RPM 1160 VOLTS	115/230
AMPS 42.0/21.0 HZ 60	
PHASE 1	
W/D 413450-12	
FINAL CONNECT AT 230V	
DO NOT MOUNT IN HAZARDOUS	LOCATION

000692000MB

MAXDEPTH CW ROT; C21G2701J

DUTY MASTER ALTERNATING CURRENT MOTORS
 SQUIRREL-CAGE INDUCTION
 ENCLOSURE: TOTALLY ENCLOSED
 SUBMERSIBLE
FRAME 210TY

066930-021



DIMENSIONS ARE IN INCHES SEE SHEET 2 FOR MILLIMETERS

FRAME	C	L	P	T	UC2	V	W	AG	AH	AJ	AL(7)
210TY	32.41	21.12	11.50	2.25	12.50	2.00	2.8	30.12	22.8	11.50	10.625

FRAME	BU(2)	BE	BF	KR(4)	LEAD CONNECTION			BE KEYWAY	WEIGHT LBS.		
					X	Y	XD				
210TY	12.38	.75	.56	1/2-13	2-1/2-8	1.25	7.75	.12	.12	11.2	315

- (1) SPECIAL DIMENSIONS ON THIS LINE.
 - (2) *BD* VARIES ± .010
 - (3) *U* VARIES +.0000, -.0005
 - (4) TAP DEPTH ON 210TY IS .138
 - (5) LEAD WIRE LENGTH AS SPECIFIED ON SALES ORDER
 - (6) MINIMUM SUBMERGED DEPTH.
 - (7) *AL* VARIES +.004, -.000.
- FACE ROUNDT AND ECCENTRICITY .008 MAX. T.I.R.
 PROTECTIVE CONDUIT FURNISHED BY CUSTOMER.

120-036990

CUSTOMER IS RESPONSIBLE FOR DETERMINING THAT BALDOR'S PRODUCT WILL PERFORM SUITABLY IN THE INTENDED APPLICATION.

REV. DESC: LOAD TO BUS	VERSION: 00	TDR: 00000925374
FILE: \RGG\00025\103	REVISED: 10: 39: 07 05/14/2015	BY: RCGWT
MTL: -		



DIM SHT, 210TY, SUBMERSIBLE
 SH 1 of 1