

BALDOR • RELIANCE

Customer information packet

C18G2731

1.5HP, 1735RPM, 1PH, 60HZ, 180TY, TEXP, V1

Class - None

Division - Not Applicable

Specifications

Enclosure	TEXP
Frame	180TY
Frame Material	Iron
Motor Letter Type	CS
Output @ Frequency	1.5 @ 60 HZ
Phase	1
Voltage @ Frequency	230 V @ 60 HZ 115 V @ 60 HZ
XP Class and Group	None
XP Division	Not Applicable
Agency Approvals	UL CSA CCSA US
Base Indicator	Rigid
Bearing Grease Type	Polyrex EM (-20F +300F)
Cable Length	25 FOOT
Current @ Voltage	10.6 A @ 230 V 21.2 A @ 115 V
Design Code	L
Drip Cover	No Drip Cover
Duty Rating	15 MIN
Heater Indicator	No Heater
Inverter Code	Not Inverter
KVA Code	M
Lifting Lugs	Standard Lifting Lugs
Motor Standards	NEMA
Motor Type	CS
Mounting Arrangement	V1
Number of Poles	4
Overall Length	25.94 IN
Product Family	Other
Pulley End Bearing Type	Ball

Part detail

Revision	B
Type	AC
Mech. spec.	
Base	
Status	PRD/A
Elec. spec.	A00081A A 002
Layout	066930-020
Eff. date	08-14-2018
CD Diagram	
Poles	04
Leads	
Proprietary	False
Created date	04-09-2015

Pulley Face Code	Standard
Service Factor	1.15
Shaft Rotation	Reversible
Shaft Slinger Indicator	No Slinger
Speed Code	Single Speed
Starting Method	Direct on line
Thermal Device - Winding	Normally Closed Thermostat
XP Temp Code	T3C

Nameplate

000613007MN									
CAT NO		SPEC NO.	C18G2731						
HP	1.5	AMPS	21.2/10.6	VOLTS	115/230	DESIGN	L		
FRAME SIZE	X180TY	RPM	1735	HZ	60	AMB	40	SF	1.15
D.E. BRG.	50BC02JPP30A	PH	1	DUTY	15MIN	INSUL	F		
O.D.E. BRG.	25BC02JPG30A	TYPE	CS	ENCL	TENV	CODE	M		
		POWER FACTOR		NEMA-NOM-EFF					
		MAX CORR KVAR		GUARANTEED EFFICIENCY					
		NEMA NOM/CSA QUOTED EFF @		100% LOAD					
SER.NO.		MOTOR WEIGHT		LBS.					
	*15 MIN IN AIR ;SUB. IN								
	SEWAGE / WATER ONLY ONLY;								
	FINAL CONN@230V MAXDEPTH IN				MANUAL				

000613007MR

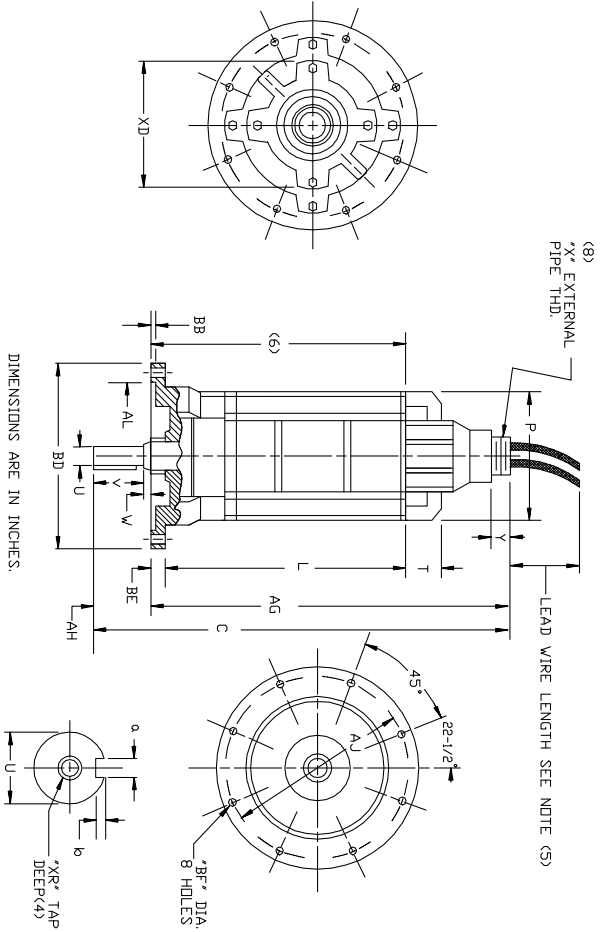
CAT NO		SPEC NO.	C18G2731						
HP	1.5	AMPS	21.2/10.6	VOLTS	115/230	DESIGN	L		
FRAME SIZE	X180TY	RPM	1735	HZ	60	AMB	40	SF	1.15
D.E. BRG.	50BC02JPP30A	PH	1	DUTY	15MIN	INSUL	F		
O.D.E. BRG.	25BC02JPG30A	TYPE	CS	ENCL	TENV	CODE	M		
		POWER FACTOR		NEMA-NOM-EFF					
		MAX CORR KVAR		GUARANTEED EFFICIENCY					
		NEMA NOM/CSA QUOTED EFF @		100% LOAD					
SER.NO.		MOTOR WEIGHT		LBS.					
	*15 MIN IN AIR ;SUB. IN								
	SEWAGE / WATER ONLY ONLY;								
	FINAL CONN@230V MAXDEPTH IN				MANUAL				

000692000MB

CW ROTATION	
C18G2731A	
CONTROL BOX 701455-2BN	
MODEL # C18G2731A	
1.5 HP ; 1735 RPM ; 115/230	VOLTS;
21.2/10.6 AMPS ; 60 HZ ;	1 PHASE;
W/D 413450-12	
FINAL CONNECT AT 230V	

DUTY MASTER ALTERNATING CURRENT MOTORS
 SQUIRREL-CAGE INDUCTION
 ENCLOSURE: TOTALLY ENCLOSED
 SUBMERSIBLE
 ONE SIZE SMALLER FLANGE AND SHAFT
 FRAMES 180TY THRU 210TY

066930-020



DIMENSIONS ARE IN INCHES.

FRAME	C	L	P	T	U(3)	V	W	AG	AH	AJ	AL(7)
180TY	25.94	16.50	9.62	2.25	8.750	1.25	.31	24.38	1.56	10.00	9.125
210TY	32.41	21.12	11.50	2.25	12.500	2.00	.28	30.12	2.28	11.50	10.625

FRAME	BNG(2)	BE	BF	XR(4)	LEAD CONNECTION				BE KEYWAY			
					X	XD	Y	Z				
180TY	11062	.75	.44	3/8-16	2-1/2-8	1.25	6.75	.12	187	.09	112	200
210TY	12375	.75	.56	1/2-13	2-1/2-8	1.25	7.75	.12	250	.12	112	315

- (1) SPECIAL DIMENSIONS ON THIS LINE.
- (2) *BD* VARIES ± .010
- (3) *U* VARIES +.0000, -.0005
- (4) TAP DEPTH ON 180TY THRU 210TY IS 1.38
- (5) LEAD WIRE LENGTH AS SPECIFIED ON CERTIFICATION
- (6) MINIMUM SUBMERGED DEPTH.
- (7) *AL* VARIES +.004, -.000
- (8) 3" - 8 PIPE THREAD SUPPLIED WITH CABLE SIZES NO. 4 AND LARGER.

CUSTOMER IS RESPONSIBLE FOR DETERMINING THAT BALDOR'S PRODUCT WILL PERFORM SUITABLY IN THE INTENDED APPLICATION.

REV. DESC: LOAD TO BUS	VERSION: 00	TDR: 000000925374	BALDOR DIM SHT,180TY THRU 210TY,SUBMERSIBLE,1 SIZE SMALLER FLG/SH SH 1 of 1
REV. LTR: -	FILE: \RGG\00025\093	BY: RCGWT	
MTL: -	REVISED: 08:11:59 05/14/2015		

020-056990