

BALDOR • RELIANCE

Customer information packet

C18G2703

3HP, 1725RPM, 1PH, 60HZ, 180TY, TEXP, V1

Class - CLI GP C,D

Division - Division I

Copyright © All product information within this document is subject to ABB Motors and Mechanical Inc. copyright © protection, unless otherwise noted.

7/23/2024 10:37:34 PM

Specifications

Enclosure	XPNV
Frame	180TY
Frame Material	Iron
Haz Area Class and Group	CLI GP C,D
Haz Area Division	Division I
Output @ Frequency	3.000 @ 60 HZ
Phase	1
Voltage @ Frequency	230 V @ 60 HZ 115 V @ 60 HZ
Agency Approvals	CCSA US CSA UL
Base Indicator	No Mounting
Bearing Grease Type	Polyrex EM (-20F +300F)
Cable Length	25 FOOT
Current @ Voltage	20.0 A @ 230 V 40.0 A @ 115 V
Design Code	L
Drip Cover	No Drip Cover
Duty Rating	15 MIN
Haz Area Temp Code	T3C
Heater Indicator	No Heater
Inverter Code	Inverter Ready
KVA Code	J
Lifting Lugs	Vertical Lifting Lugs
Motor Standards	NEMA
Mounting Arrangement	V1
Number of Poles	4
Overall Length	28.71 IN
Product Family	Other
Pulley End Bearing Type	Ball
Pulley Face Code	P-Base

Part detail

Revision	A
Type	AC
Mech. spec.	
Base	
Status	INA/A
Elec. spec.	A00008B E 011
Layout	066930-017
Eff. date	03-08-2024
CD Diagram	
Poles	04
Leads	
Proprietary	False
Created date	04-09-2015

Service Factor	1.15
Shaft Rotation	Fixed Standard
Shaft Slinger Indicator	No Slinger
Speed Code	Single Speed
Starting Method	Direct on line
Thermal Device - Winding	Normally Closed Thermostat

Nameplate

000613007RC

CLASS I GROUP	C D X	NO.	
CLASS II GROUP	X X X		
OPERATING TEMP CODE	T3C		

000613007MN

CAT NO		SPEC NO.	C18G2703						
HP	3	AMPS	40.0/20.0	VOLTS	115/230	DESIGN	L		
FRAME SIZE	X0180TY	RPM	1725	HZ	60	AMB	40	SF	1.15
D.E. BRG.	50BC02JPP30A	PH	1	DUTY	15MIN	INSUL	F		
O.D.E. BRG.	25BC02JPG30A	TYPE	CS	ENCL	TENV	CODE	J		
		POWER FACTOR		NEMA-NOM-EFF					
		MAX CORR KVAR		GUARANTEED EFFICIENCY					
		NEMA NOM/CSA QUOTED EFF @			100% LOAD				
SER.NO.		MOTOR WEIGHT		LBS.					
	*15 MIN IN AIR ,SUB. IN WATER								
	ONLY; FINAL CONN @230V; MAX								
	DEPTH-REF TO INSTR MAN CW								

000613007MR

CAT NO		SPEC NO.	C18G2703						
HP	3	AMPS	40.0/20.0	VOLTS	115/230	DESIGN	L		
FRAME SIZE	X0180TY	RPM	1725	HZ	60	AMB	40	SF	1.15
D.E. BRG.	50BC02JPP30A	PH	1	DUTY	15MIN	INSUL	F		
O.D.E. BRG.	25BC02JPG30A	TYPE	CS	ENCL	TENV	CODE	J		
		POWER FACTOR		NEMA-NOM-EFF					
		MAX CORR KVAR		GUARANTEED EFFICIENCY					
		NEMA NOM/CSA QUOTED EFF @			100% LOAD				
SER.NO.		MOTOR WEIGHT		LBS.					
	*15 MIN IN AIR ,SUB. IN WATER								
	ONLY; FINAL CONN @230V; MAX								
	DEPTH-REF TO INSTR MAN CW								

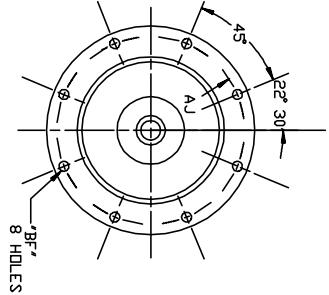
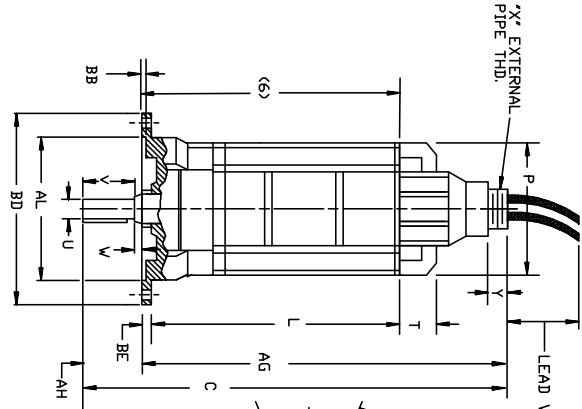
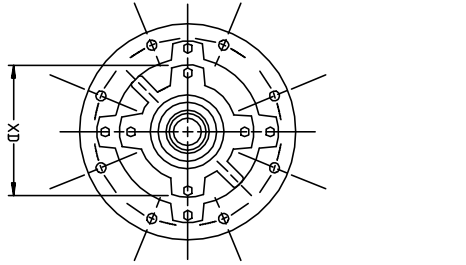
000692000MB

ROTATION

C18G2703L

066930-017

DUTY MASTER ALTERNATING CURRENT MOTORS
 SQUIREL-CAGE INDUCTION
 ENCLOSURE: TOTALLY ENCLOSED
 SUBMERSIBLE
 FRAME 140TY THRU 180TY



DIMENSIONS ARE IN INCHES SEE SHEET 2 FOR MILLIMETERS

FRAME	C	L	P	T	U(3)	V	Y	AG	AH	AJ	AL(7)
140TY	23.44	15.28	8.00	2.25	8.750	1.25	.31	23.88	1.59	10.00	9.125
180TY	26.66	16.56	9.62	2.25	12.500	2.00	.28	24.38	2.28	11.50	10.625

FRAME	BD(2)	BE	BF	XR(4)	X	Y	XD	BB	a	b	LENGTH	WEIGHT
140TY	11.062	.75	.44	3/8-16	2-1/2-8	1.25	5.50	.112	.187	.09	1.25	160
180TY	12.375	.75	.56	1/2-13	2-1/2-8	1.25	6.75	.112	.250	.12	1.12	200

- (1) SPECIAL DIMENSIONS ON THIS LINE.
 - (2) 'BD' VARIES ± .010.
 - (3) 'U' VARIES +.0000, -.0005.
 - (4) TAP DEPTH ON 140TY IS .881; 180TY IS 1.38
 - (5) LEAD WIRE LENGTH AS SPECIFIED ON CERTIFICATION
 - (6) MINIMUM SUBMERGED DEPTH.
 - (7) 'AL' VARIES +.004, -.000.
- FACE ROUNDT AND ECCENTRICITY .008 MAX. T.I.R.
 PROTECTIVE CONDUIT FURNISHED BY CUSTOMER.

CUSTOMER IS RESPONSIBLE FOR DETERMINING THAT BALDOR'S PRODUCT WILL PERFORM SUITABLY IN THE INTENDED APPLICATION.

REV. DESC: CHANGE L DIM FROM 16.50 TO 16.56 (SH1)		
REV. LTR: A	VERSION: 01	TDR: 000000837009
FILE: \RGG\00016\668	REVISED: 09:10:21 01/30/2014	BY: RGGWT
MTL: -		



DIM SHT 140TY THRU 180TY
 SH 1 of 2

066930-017