

BALDOR® • RELIANCE™

Customer information packet

C18G2702

2HP, 1720RPM, 1PH, 60HZ, 180TY, TEXP, V1

Class - CLI GP C,D

Division - Division I

Copyright © All product information within this document is subject to ABB Motors and Mechanical Inc. copyright © protection, unless otherwise noted.

9/9/2024 7:53:25 AM

Specifications

Enclosure	XPNV
Frame	180TY
Frame Material	Iron
Haz Area Class and Group	CLI GP C,D
Haz Area Division	Division I
Motor Letter Type	CS
Output @ Frequency	2.000 @ 60 HZ
Phase	1
Voltage @ Frequency	230 V @ 60 HZ 115 V @ 60 HZ
Agency Approvals	UL CSA CCSA US
Base Indicator	No Mounting
Bearing Grease Type	Polyrex EM (-20F +300F)
Cable Length	25 FOOT
Current @ Voltage	14.4 A @ 230 V 28.8 A @ 115 V
Design Code	L
Drip Cover	No Drip Cover
Duty Rating	15 MIN
Haz Area Temp Code	T3C
Heater Indicator	No Heater
Inverter Code	Inverter Ready
KVA Code	K
Lifting Lugs	Vertical Lifting Lugs
Motor Standards	NEMA
Mounting Arrangement	V1
Number of Poles	4
Overall Length	28.00 IN
Product Family	Other
Pulley End Bearing Type	Ball

Part detail

Revision	A
Type	AC
Mech. spec.	
Base	
Status	INA/A
Elec. spec.	A00007J AL010
Layout	066930-020
Eff. date	03-08-2024
CD Diagram	
Poles	04
Leads	
Proprietary	False
Created date	04-09-2015

Pulley Face Code	P-Base
Service Factor	1.15
Shaft Rotation	Fixed Standard
Shaft Slinger Indicator	No Slinger
Speed Code	Single Speed
Starting Method	Direct on line
Thermal Device - Winding	Normally Closed Thermostat

Nameplate

000613007RC

CLASS I GROUP	C D X	NO.	
CLASS II GROUP	X X X		
OPERATING TEMP CODE	T3C		

000613007MN

CAT NO		SPEC NO.	C18G2702						
HP	2	AMPS	28.8/14.4	VOLTS	115/230	DESIGN	-		
FRAME SIZE	X0180TY	RPM	1720	HZ	60	AMB	40	SF	1.15
D.E. BRG.	50BC02JPP30A	PH	1	DUTY	15MIN	INSUL	F		
O.D.E. BRG.	25BC02JPG30A	TYPE	CS	ENCL	TENV	CODE	K		
		POWER FACTOR		NEMA-NOM-EFF					
		MAX CORR KVAR		GUARANTEED EFFICIENCY					
		NEMA NOM/CSA QUOTED EFF @			100% LOAD				
SER.NO.		MOTOR WEIGHT		LBS.					
	IP68								
	*15 MIN IN AIR ;SUB. IN								
	SEWAGE / WATER ONLY ONLY;								

000613007MR

CAT NO		SPEC NO.	C18G2702						
HP	2	AMPS	28.8/14.4	VOLTS	115/230	DESIGN	-		
FRAME SIZE	X0180TY	RPM	1720	HZ	60	AMB	40	SF	1.15
D.E. BRG.	50BC02JPP30A	PH	1	DUTY	15MIN	INSUL	F		
O.D.E. BRG.	25BC02JPG30A	TYPE	CS	ENCL	TENV	CODE	K		
		POWER FACTOR		NEMA-NOM-EFF					
		MAX CORR KVAR		GUARANTEED EFFICIENCY					
		NEMA NOM/CSA QUOTED EFF @			100% LOAD				
SER.NO.		MOTOR WEIGHT		LBS.					
	IP68								
	*15 MIN IN AIR ;SUB. IN								
	SEWAGE / WATER ONLY ONLY;								

000692000MB

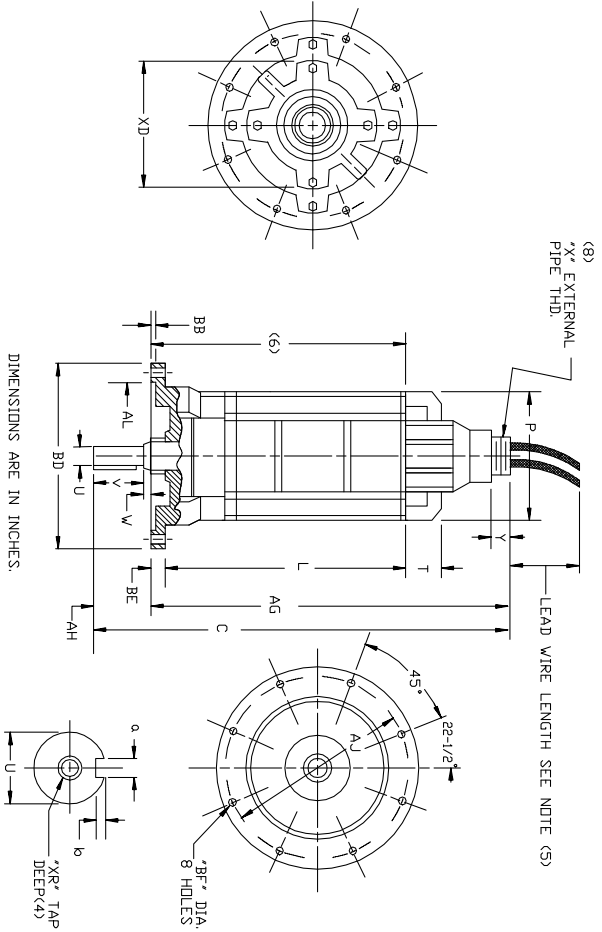
FINAL CONN AT 230V CW

ROTATION

C18G2702L

DUTY MASTER ALTERNATING CURRENT MOTORS
 SQUIRREL-CAGE INDUCTION
 ENCLOSURE: TOTALLY ENCLOSED
 SUBMERSIBLE
 ONE SIZE SMALLER FLANGE AND SHAFT
 FRAMES 180TY THRU 210TY

066930-020



DIMENSIONS ARE IN INCHES.

FRAME	C	L	P	T	U(3)	V	W	AG	AH	AJ	AL(7)
180TY	25.94	16.50	9.62	2.25	8.750	1.25	.31	24.38	1.56	10.00	9.125
210TY	32.41	21.12	11.50	2.25	12.500	2.00	.28	30.12	2.28	11.50	10.625

FRAME	BNG(2)	BE	BF	XR(4)	LEAD CONNECTION			BE KEYWAY	o	b	LENGTH	WEIGHT
					X	XD	Y					
180TY	11.062	.75	.44	3/8-16	2-1/2-8	1.25	.12	6.75	.12	1.87	.09	200
210TY	12.375	.75	.56	1/2-13	2-1/2-8	1.25	.12	7.75	.12	2.50	.12	315

- (1) SPECIAL DIMENSIONS ON THIS LINE.
 - (2) *BD* VARIES ± .010
 - (3) *U* VARIES +.0000, -.0005
 - (4) TAP DEPTH ON 180TY THRU 210TY IS 1.38
 - (5) LEAD WIRE LENGTH AS SPECIFIED ON CERTIFICATION
 - (6) MINIMUM SUBMERGED DEPTH.
 - (7) *AL* VARIES +.004, -.000
- FACE ROUNDT AND ECCENTRICITY .008 MAX. T.I.R.
 PROTECTIVE CONDUIT FURNISHED BY CUSTOMER.
 (8) 3" - 8 PIPE THREAD SUPPLIED WITH CABLE
 SIZES NO. 4 AND LARGER.

020-056990

CUSTOMER IS RESPONSIBLE FOR DETERMINING THAT BALDOR'S PRODUCT WILL PERFORM SUITABLY IN THE INTENDED APPLICATION.

REV. DESC: LOAD TO BUS	VERSION: 00	TDR: 00000925374
REV. LTR: -	REvised: 08:11:59 05/14/2015	BY: RCGWT
FILE: \RGG\00025\093		
MTL: -		

BALDOR

DIM SHT,180TY THRU 210TY,SUBMERSIBLE,1 SIZE SMALLER FLG/SH

SH 1 of 1