

**BALDOR • RELIANCE**

---

# Customer information packet

## BSM90N-275AA

BSM90N-275AA (NEO) T'STAT, RESOLVE

**Specifications**

<b>Enclosure</b>	TENV
<b>Motor Type</b>	S332B
<b>Nameplate Speed</b>	4000
<b>Agency Approvals</b>	CE CSA TUV UR WEEE
<b>Base Indicator</b>	Bracket Mounted
<b>Dimensional Drawing Numbers</b>	S3LYP100
<b>Frame</b>	D130D
<b>Frame Material</b>	Exposed Laminations
<b>Motor Lead Quantity/Wire Size</b>	3 @ 14 AWG
<b>Motor Standards</b>	IEC
<b>Mounting Arrangement</b>	F1
<b>Nameplate Output</b>	2.59KW
<b>Shaft Rotation</b>	Reversible

**Part detail**

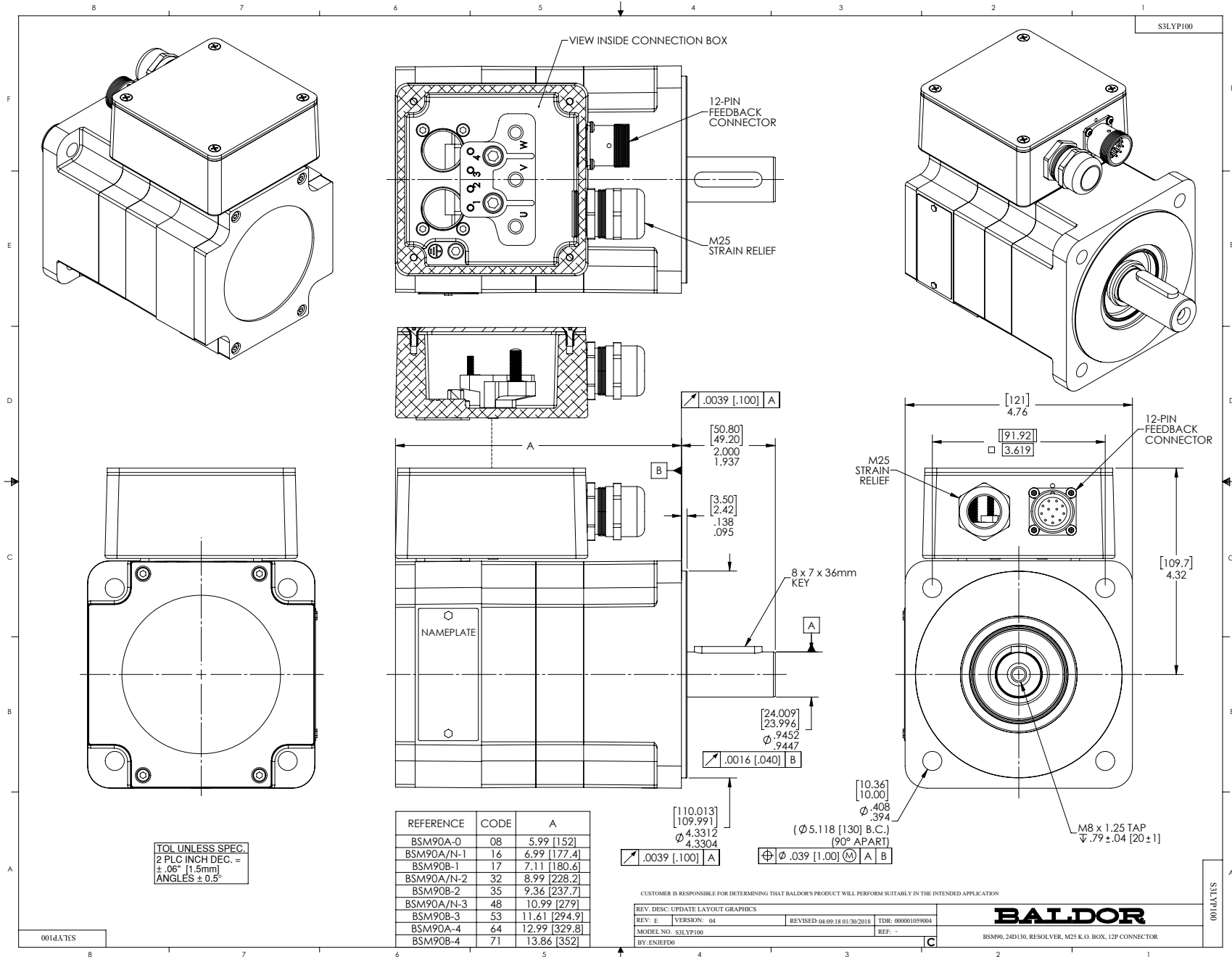
<b>Revision</b>	AF
<b>Type</b>	AC
<b>Mech. spec.</b>	S3P100
<b>Base</b>	
<b>Status</b>	PRD/A
<b>Elec. spec.</b>	S3WGW060
<b>Layout</b>	S3LYP100
<b>Eff. date</b>	08-15-2023
<b>CD Diagram</b>	CD0006A02
<b>Poles</b>	08
<b>Leads</b>	3#14
<b>Proprietary</b>	False
<b>Created date</b>	01-01-0001

**Nameplate**

<b>NP2863L</b>					
<b>CAT.NO.</b>	BSM90N-275AA				
<b>SPEC.</b>	S3P100W060G1				
<b>MFG.NO.</b>					
<b>TORQ CONT STALL</b>	10 NM				
<b>CUR CONT STALL/A RMS</b>	11.6				
<b>POWER</b>	2.59KW				
<b>RATED SPEED/RPM(1/MIN)</b>	4000				
<b>RATED BUS VOLTS</b>	300				
<b>PEAK CUR/A RMS</b>	41.9				
<b>MAX SPEED/RPM(1/MIN)</b>	7000				
<b>IP</b>	54	<b>IC</b>	410	<b>WT.</b>	14.5
<b>CLASS</b>	F	<b>25C RATED</b>			

**Accessories**

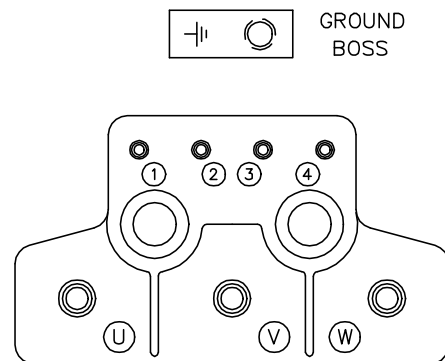
<b>Part number</b>	<b>Description</b>	<b>Multiplier</b>
GBSM90-MRP120-4	Std. Servo Gearbox Ratio 4:1	E4
GBSM90-MRP120-5	Std. Servo Gearbox Ratio 5:1	E4
GBSM90-MRP120-7	Std. Servo Gearbox Ratio 7:1	E4
GBSM90-MRP155-10	Std. Servo Gearbox Ratio 10:1	E4
GBSM90-MRP155-25	Std. Servo Gearbox Ratio 25:1	E4



CD1404

MOTOR CONNECTIONS

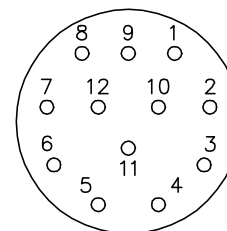
TERMINAL LABEL	FUNCTION	INTERNAL WIRE MARKING
1	THERMAL SWITCH	YELLOW
2	THERMAL SWITCH	YELLOW
3	BRAKE (OPTIONAL)	BLACK
4	BRAKE (OPTIONAL)	BLACK
⊥	GROUND	-----
U	PHASE U	T1
V	PHASE V	T2
W	PHASE W	T3



RESOLVER CONNECTIONS

PIN	FUNCTION	INTERNAL WIRE COLOR
1	REF HI R1	RED/WHITE
2	REF LO R2	YELLOW/WHITE (or) BLACK/WHITE
3	COS+ S1	RED
4	COS- S3	BLACK
5	SINE+ S2	BLUE
6	SINE- S4	YELLOW

12 PIN THREADED CONNECTOR (INSERTION SIDE)



NOTE:

IF NO FEEDBACK, OMIT RESOLVER CONNECTIONS.

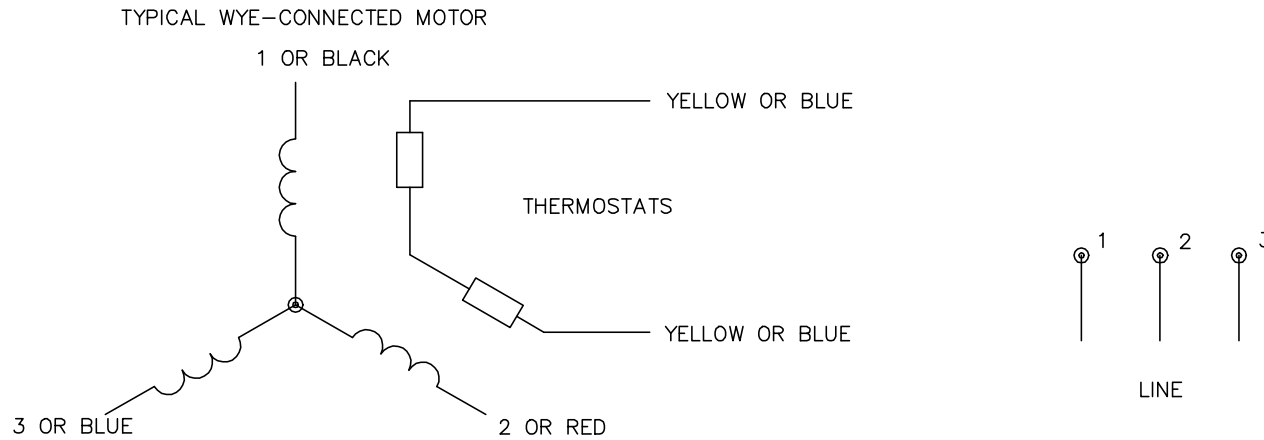
REV. DESC: ADDED OPTIONAL BLACK/WHITE COLOR TO REF-LO-R2		
REV. LTR: B	VERSION: 01	TDR: 000001151947
FILE: \AAA\00065\150	REVISED: 01:18:21 10/27/2020	BY: ENJFDO
MTL: -	© □	

**BALDOR - RELIANCE®**

CONN. DIAG.-BSM,RESOLVER,BRAKE,TERMINAL BLOCK,12 PIN CONN  
SH 1 of 1

CD1404

CD0006A02



NOTES:

1. INTERCHANGE ANY TWO LINE LEADS TO REVERSE ROTATION.
2. ACTUAL NUMBER OF INTERNAL PARALLEL CIRCUITS MAY VARY.

REV. DESC: REMOVED "OPTIONAL" FROM PRINT, SERVO REQ'S T'STATS		
REV. LTR: D	VERSION: 03	TDR: 000000414937
CD0006A02	FILE: \AAA\00068\606	REVISED: 10:02:28 11/21/2006
	MTL: -	BY: ENJFDO

**BALDOR ELECTRIC Co.**

3PH, SV, 3 LEADS, WYE CONNECTED

CD0006A02