

ABB BALDOR RELIANCE III

Customer information packet BSM90N-2150AF

BSM90N-2150AF T'STAT, ENCODER

Specifications

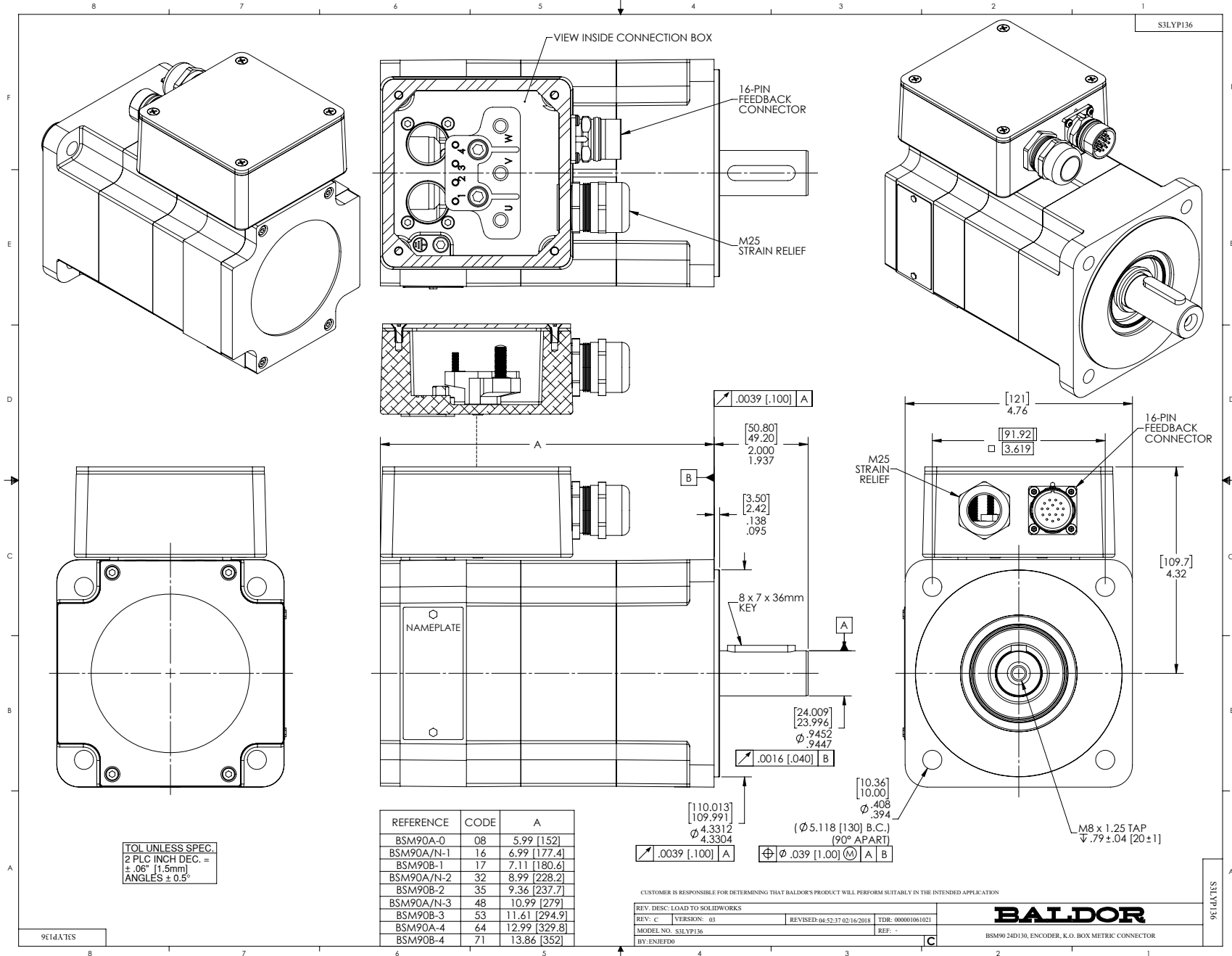
Enclosure	TENV
Nameplate Speed	2000
Agency Approvals	CE CSA TUV UR
Base Indicator	Bracket Mounted
Dimensional Drawing Numbers	S3LYP136
Frame	D130D
Frame Material	Exposed Laminations
Motor Lead Quantity/Wire Size	3 @ 16 AWG
Motor Standards	IEC
Mounting Arrangement	F1
Nameplate Output	1.63KW
Shaft Rotation	Reversible

Part Detail

Revision	AK
Type	AC
Mech. spec.	S3P136
Base	
Status	PRD/A
Elec. spec.	S3WGW061
Layout	S3LYP136
Eff. date	07-29-2025
CD Diagram	CD0006A02
Poles	08
Leads	3#16
Proprietary	False
Created date	01-01-0001

Nameplate

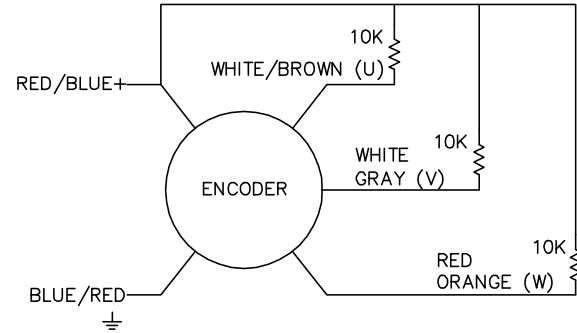
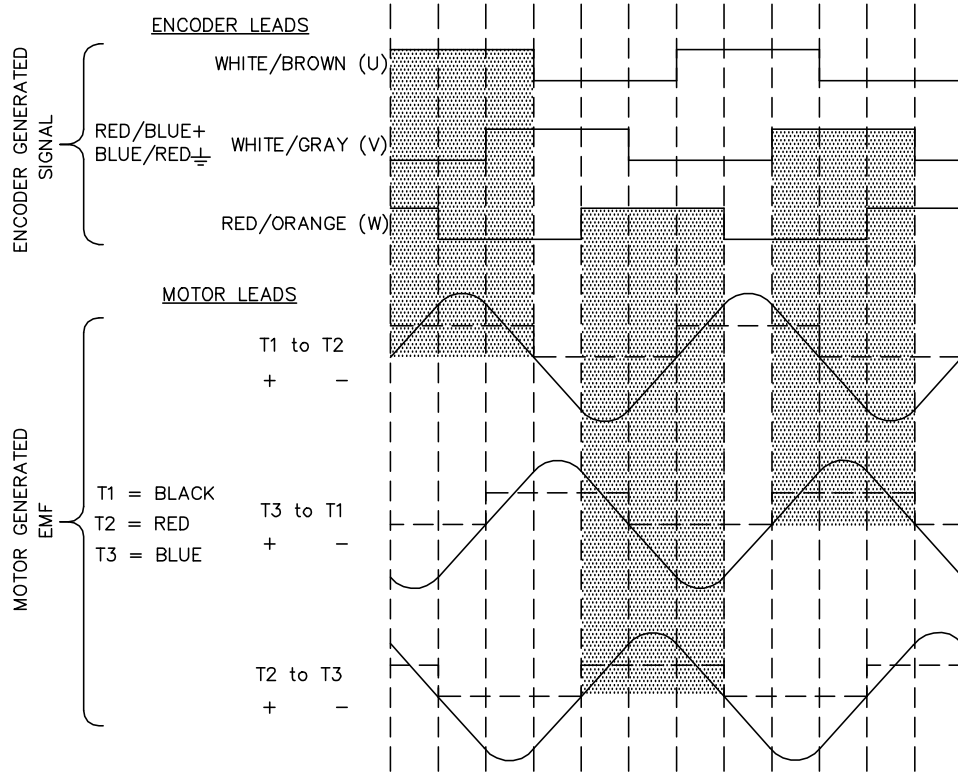
NP2863L					
CAT.NO.					
SPEC.	S3P136W061				
MFG.NO.					
TORQ CONT STALL	10 NM				
CUR CONT STALL/A RMS	6.15				
POWER	1.63KW				
RATED SPEED/RPM(1/MIN)	2000				
RATED BUS VOLTS	320				
PEAK CUR/A RMS	24.6				
MAX SPEED/RPM(1/MIN)	4000				
IP	54	IC	410	WT.	14.5
CLASS	F	25C RATED			



CD1338A01

BRUSHLESS D.C. COMMUTATION

8 POLE MECHANICAL DEGREES	0	15	30	45	60	75	90	105	120	135	150	165	180
4 POLE MECHANICAL DEGREES	0	30	60	90	120	150	180	210	240	270	300	330	360
ELECTRICAL DEGREES	0	60	120	180	240	300	360	420	480	540	600	660	720



NOTE:
CCW ROTATION VIEWING
MOTOR SHAFT END

CD1338A01

REV. DESC: NEW			
REV. LTR: -	BY: FN	REVISED: 11:22:25 03/24/2004	TDR: 328266
CD1338A01		FILE: AAA00115153	REF: CD1338A01
		MTL: -	

BALDOR ELECTRIC Co.

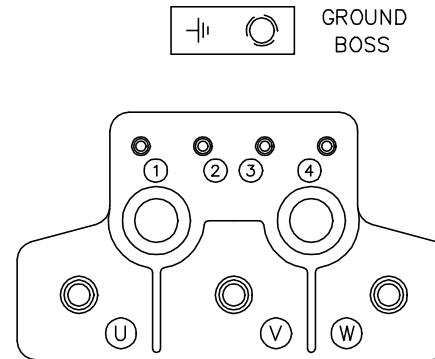
BLDC COMMUTATION KOYO ENC.(CHANNELS TO MATCH TMGW/SUMTAK)

CD1388A02

MOTOR CONNECTIONS

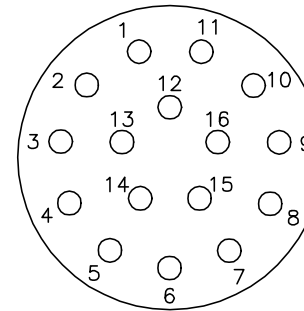
TERMINAL LABEL	FUNCTION	INTERNAL WIRE MARKING
1	THERMAL SWITCH	YELLOW
2	THERMAL SWITCH	YELLOW
3	*BRAKE	BLACK
4	*BRAKE	BLACK
⏏	GROUND	-----
U	PHASE U	BLACK OR T1
V	PHASE V	RED OR T2
W	PHASE W	BLUE OR T3

* WHEN REQUIRED



GROUND
BOSS

PIN	FUNCTION	WIRE COLOR
1	DC+5V	RED/BLUE
2	GROUND	BLUE/RED
3	CHANNEL A	BLUE
4	CHANNEL \bar{A}	ORANGE
5	CHANNEL B	GREEN
6	CHANNEL \bar{B}	BROWN
7	CHANNEL Z	BLACK
8	CHANNEL \bar{Z}	YELLOW
9	OPEN	----
10	CHANNEL U	WHITE/BROWN
11	CHANNEL \bar{U}	BROWN/WHITE
12	CHANNEL V	WHITE/GRAY
13	CHANNEL \bar{V}	GRAY/WHITE
14	CHANNEL W	RED/ORANGE
15	CHANNEL \bar{W}	ORANGE/RED
16	OPEN	----



16 PIN CONNECTOR
THREADED CRIMP PIN STYLE

16- #20 CONTACT SIZE
(CRIMP SIDE)

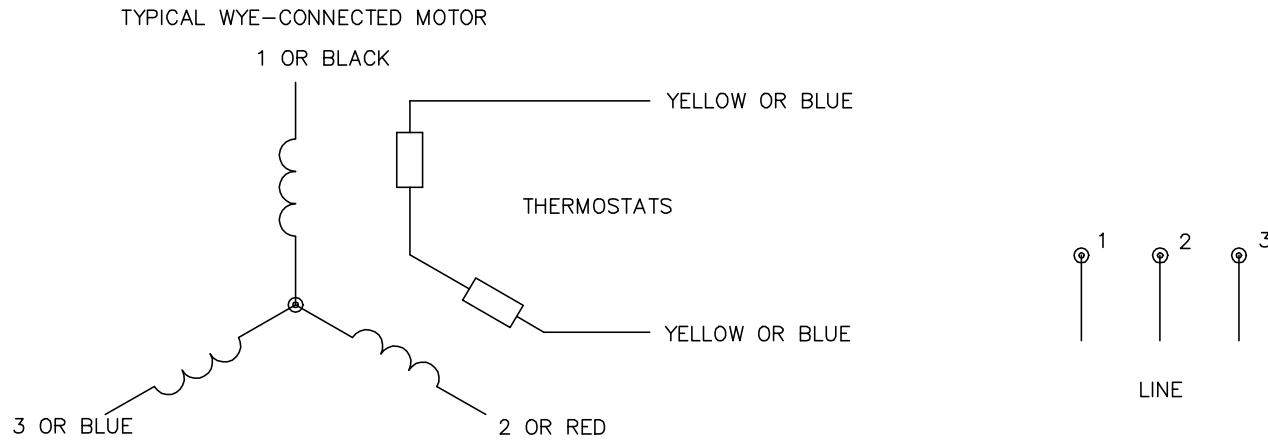
CD1388A02

REV. DESC: NEW			
REV. LTR: -	BY: FN	REVISED: 10:20:15 03/25/2004	TDR: 328341
CD1388A02		FILE: AAA00115200	REF: CD1388A02
		MTL: -	

BALDOR ELECTRIC Co.

CONN DIAG KOYO ENCODER C/T, K.O. BOX & 16 PIN CONNECTOR

CD0006A02



NOTES:

1. INTERCHANGE ANY TWO LINE LEADS TO REVERSE ROTATION.
2. ACTUAL NUMBER OF INTERNAL PARALLEL CIRCUITS MAY VARY.

REV. DESC: REMOVED "OPTIONAL" FROM PRINT, SERVO REQ'S T'STATS		
REV. LTR: D	VERSION: 03	TDR: 000000414937
CD0006A02	FILE: \AAA\00068\606	REVISED: 10:02:28 11/21/2006
	MTL: -	BY: ENJFDO

BALDOR ELECTRIC Co.

3PH, SV, 3 LEADS, WYE CONNECTED

CD0006A02