

BALDOR • RELIANCE

Customer information packet

BSM90N-1150AA

BSM90N-1150AA (NEO) T*STAT, RESOLVE

Specifications

Enclosure	TENV
Nameplate Speed	2000
Agency Approvals	CE CSA TUV UR
Base Indicator	Bracket Mounted
Dimensional Drawing Numbers	S3LYP100
Frame	D130D
Frame Material	Exposed Laminations
Motor Lead Quantity/Wire Size	3 @ 16 AWG
Motor Standards	IEC
Mounting Arrangement	F1
Nameplate Output	1KW
Shaft Rotation	Reversible

Part detail

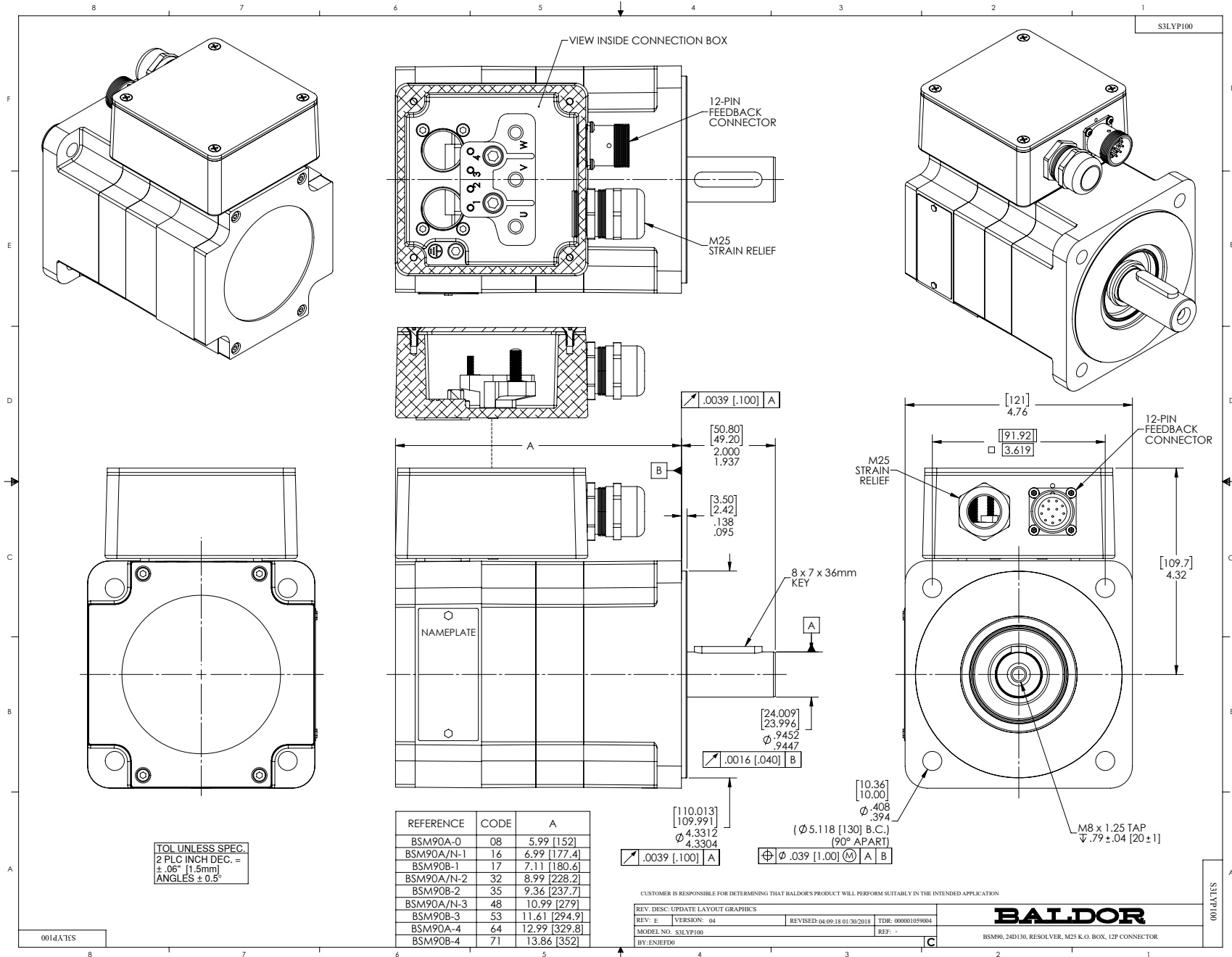
Revision	AB
Type	AC
Mech. spec.	S3P100
Base	
Status	PRD/A
Elec. spec.	S3WGW058
Layout	S3LYP100
Eff. date	02-12-2024
CD Diagram	CD0006A02
Poles	08
Leads	3#16
Proprietary	False
Created date	01-01-0001

Nameplate

NP2863L					
CAT.NO.	BSM90N-1150AA				
SPEC.	S3P100W058G1				
MFG.NO.					
TORQ CONT STALL	6 NM				
CUR CONT STALL/A RMS	4.03				
POWER	1KW				
RATED SPEED/RPM(1/MIN)	2000				
RATED BUS VOLTS	300				
PEAK CUR/A RMS	16.1				
MAX SPEED/RPM(1/MIN)	4000				
IP	54	IC	410	WT.	10.4
CLASS	F	25C RATED			

Accessories

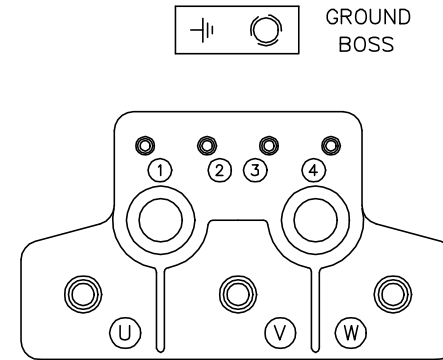
Part number	Description	Multiplier
GBSM90-MRP120-4	Std. Servo Gearbox Ratio 4:1	E4
GBSM90-MRP120-5	Std. Servo Gearbox Ratio 5:1	E4
GBSM90-MRP120-7	Std. Servo Gearbox Ratio 7:1	E4
GBSM90-MRP120-10	Std. Servo Gearbox Ratio 10:1	E4
GBSM90-MRP120-25	Std. Servo Gearbox Ratio 25:1	E4



CD1404

MOTOR CONNECTIONS

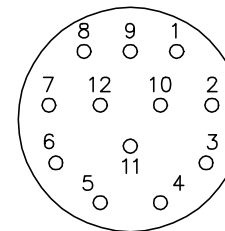
TERMINAL LABEL	FUNCTION	INTERNAL WIRE MARKING
1	THERMAL SWITCH	YELLOW
2	THERMAL SWITCH	YELLOW
3	BRAKE (OPTIONAL)	BLACK
4	BRAKE (OPTIONAL)	BLACK
⊥	GROUND	-----
U	PHASE U	T1
V	PHASE V	T2
W	PHASE W	T3



RESOLVER CONNECTIONS

PIN	FUNCTION	INTERNAL WIRE COLOR
1	REF HI R1	RED/WHITE
2	REF LO R2	YELLOW/WHITE (or) BLACK/WHITE
3	COS+ S1	RED
4	COS- S3	BLACK
5	SINE+ S2	BLUE
6	SINE- S4	YELLOW

12 PIN THREADED CONNECTOR (INSERTION SIDE)



NOTE:

IF NO FEEDBACK, OMIT RESOLVER CONNECTIONS.

REV. DESC: ADDED OPTIONAL BLACK/WHITE COLOR TO REF-LO-R2		
REV. LTR: B	VERSION: 01	TDR: 000001151947
FILE: \AAA\00065\150	REVISED: 01:18:21 10/27/2020	BY: ENJFDO
MTL: -	© □	

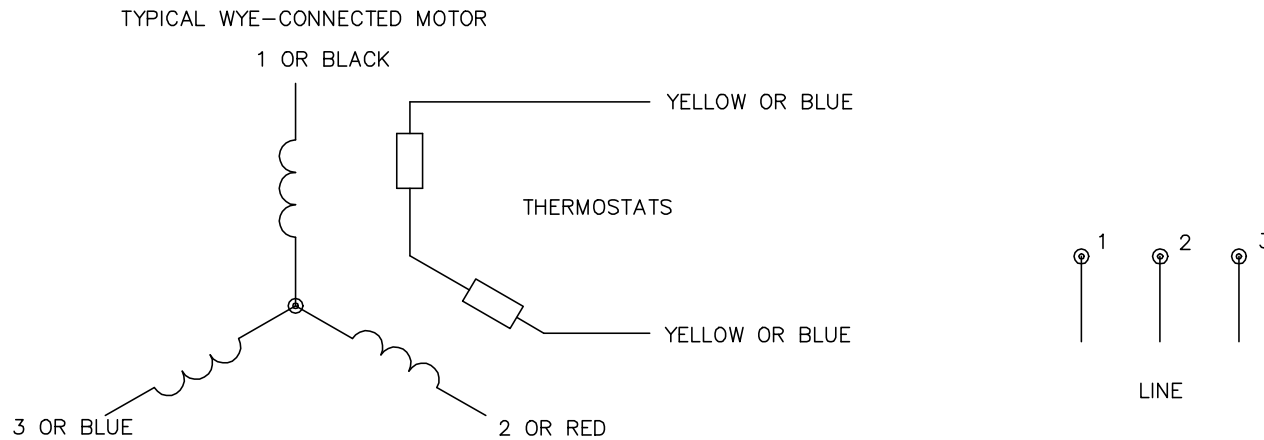
BALDOR - RELIANCE®

CONN. DIAG.-BSM,RESOLVER,BRAKE,TERMINAL BLOCK,12 PIN CONN

SH 1 of 1

CD1404

CD0006A02



NOTES:

1. INTERCHANGE ANY TWO LINE LEADS TO REVERSE ROTATION.
2. ACTUAL NUMBER OF INTERNAL PARALLEL CIRCUITS MAY VARY.

REV. DESC: REMOVED "OPTIONAL" FROM PRINT, SERVO REQ'S T'STATS		
REV. LTR: D	VERSION: 03	TDR: 000000414937
CD0006A02	FILE: \AAA\00068\606	REVISED: 10:02:28 11/21/2006
	MTL: -	BY: ENJEFO

BALDOR ELECTRIC Co.

3PH, SV, 3 LEADS, WYE CONNECTED

CD0006A02