

BALDOR • RELIANCE

Customer information packet

BSM90C-3150AF

BSM90C-3150AF T'STAT, ENCODER

Specifications

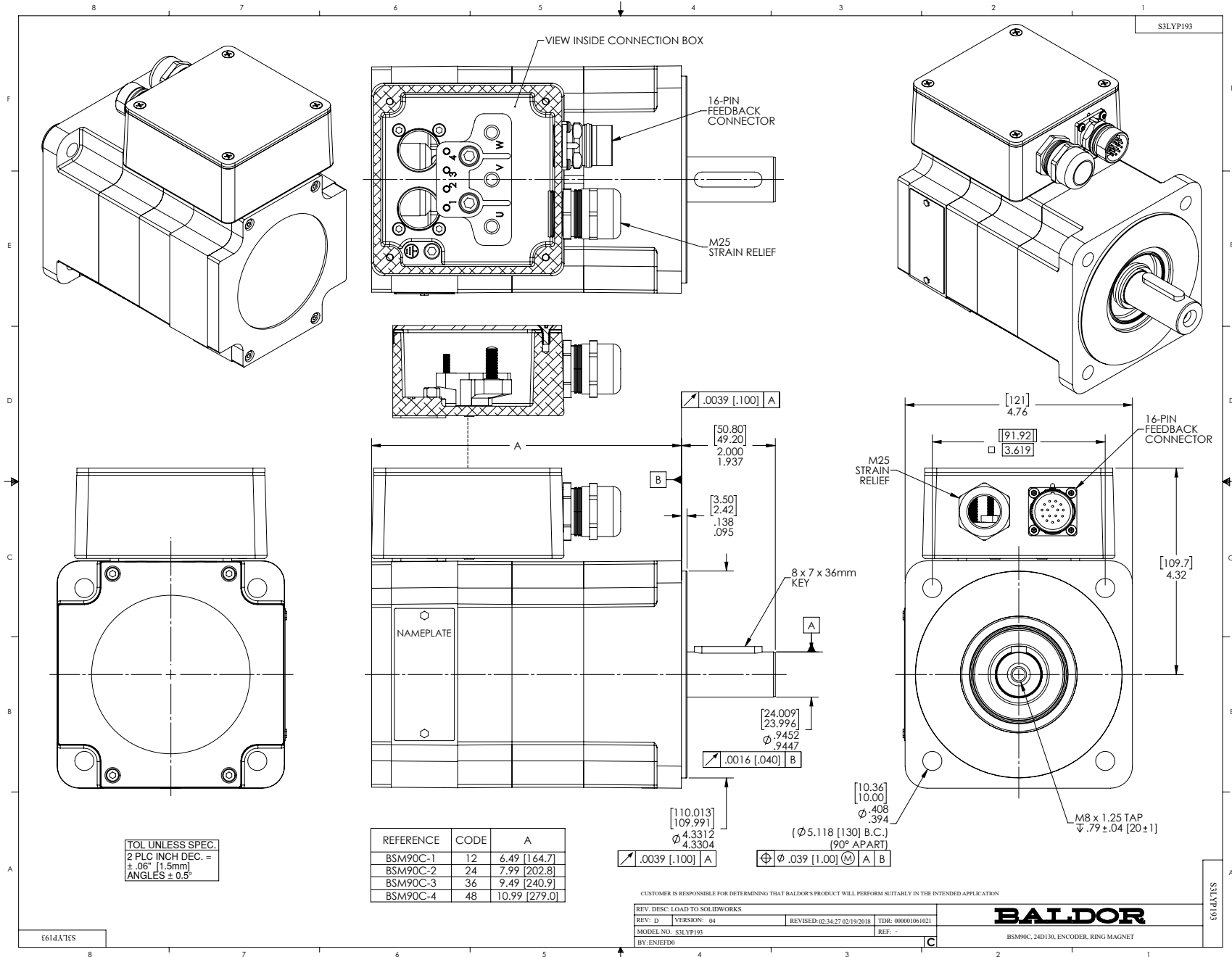
Enclosure	TENV
Nameplate Speed	4000
Agency Approvals	CE CSA TUV UR
Base Indicator	Bracket Mounted
Dimensional Drawing Numbers	S3LYP193
Frame	D130D
Frame Material	Exposed Laminations
Motor Lead Quantity/Wire Size	3 @ 16 AWG
Motor Standards	IEC
Mounting Arrangement	F1
Nameplate Output	1.66KW
Shaft Rotation	Reversible

Part detail

Revision	AR
Type	AC
Mech. spec.	S3P193
Base	
Status	PRD/A
Elec. spec.	S3WGW082
Layout	S3LYP193
Eff. date	07-18-2024
CD Diagram	CD0006A02
Poles	08
Leads	3#16
Proprietary	False
Created date	01-01-0001

Nameplate

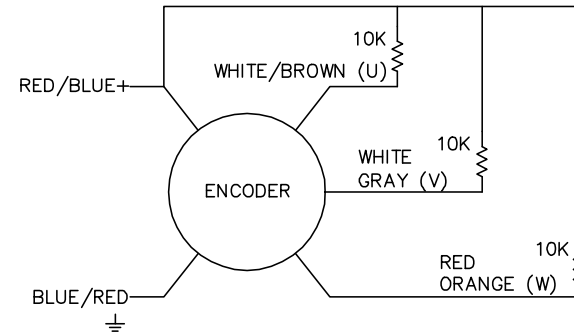
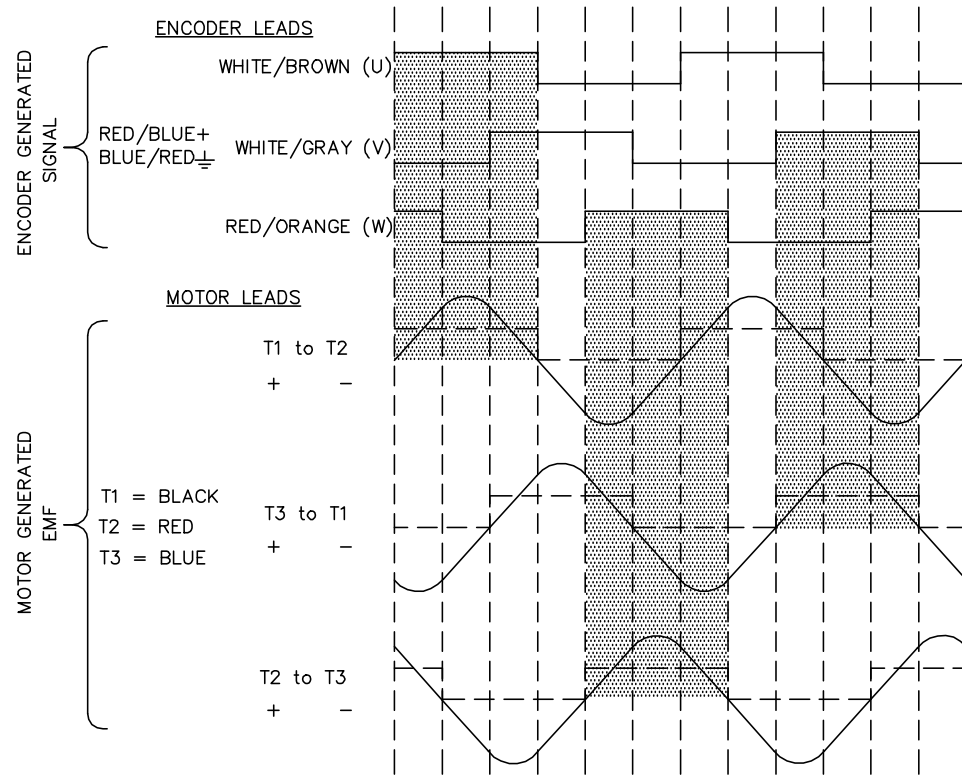
NP2863L					
CAT.NO.	BSM90C-3150AF				
SPEC.	S3P193W082G1				
MFG.NO.					
TORQ CONT STALL	7.8 NM				
CUR CONT STALL/A RMS	6.04				
POWER	1.66KW				
RATED SPEED/RPM(1/MIN)	2000				
RATED BUS VOLTS	320				
PEAK CUR/A RMS	18.1				
MAX SPEED/RPM(1/MIN)	6000				
IP	54	IC	410	WT.	15.8
CLASS	F	25C RATED			



CD1338A01

BRUSHLESS D.C. COMMUTATION

8 POLE MECHANICAL DEGREES	0	15	30	45	60	75	90	105	120	135	150	165	180
4 POLE MECHANICAL DEGREES	0	30	60	90	120	150	180	210	240	270	300	330	360
ELECTRICAL DEGREES	0	60	120	180	240	300	360	420	480	540	600	660	720



NOTE:
CCW ROTATION VIEWING
MOTOR SHAFT END

CD1338A01

REV. DESC: NEW		REVISED: 11:22:25 03/24/2004		TDR: 328266
REV. LTR: -	BY: FN	FILE: AAA00115153	REF: CD1338A01	
CD1338A01		MTL: -		

BALDOR ELECTRIC Co.

BLDC COMMUTATION KOYO ENC.(CHANNELS TO MATCH TMGW/SUMTAK)

MOTOR CONNECTIONS

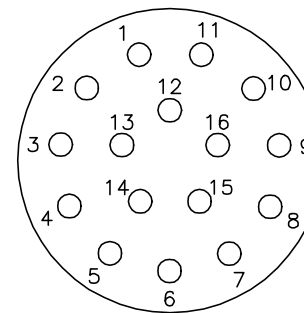
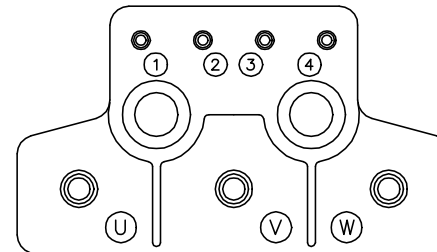
TERMINAL LABEL	FUNCTION	INTERNAL WIRE MARKING
1	THERMAL SWITCH	YELLOW
2	THERMAL SWITCH	YELLOW
3	*BRAKE	BLACK
4	*BRAKE	BLACK
⊥	GROUND	-----
U	PHASE U	BLACK OR T1
V	PHASE V	RED OR T2
W	PHASE W	BLUE OR T3

* WHEN REQUIRED

PIN	FUNCTION	WIRE COLOR
1	DC+5V	RED/BLUE
2	GROUND	BLUE/RED
3	CHANNEL A	BLUE
4	CHANNEL \bar{A}	ORANGE
5	CHANNEL B	GREEN
6	CHANNEL \bar{B}	BROWN
7	CHANNEL Z	BLACK
8	CHANNEL \bar{Z}	YELLOW
9	OPEN	----
10	CHANNEL U	WHITE/BROWN
11	CHANNEL \bar{U}	BROWN/WHITE
12	CHANNEL V	WHITE/GRAY
13	CHANNEL \bar{V}	GRAY/WHITE
14	CHANNEL W	RED/ORANGE
15	CHANNEL \bar{W}	ORANGE/RED
16	OPEN	----



CD1388A02



16 PIN CONNECTOR
THREADED CRIMP PIN STYLE

16- #20 CONTACT SIZE
(CRIMP SIDE)

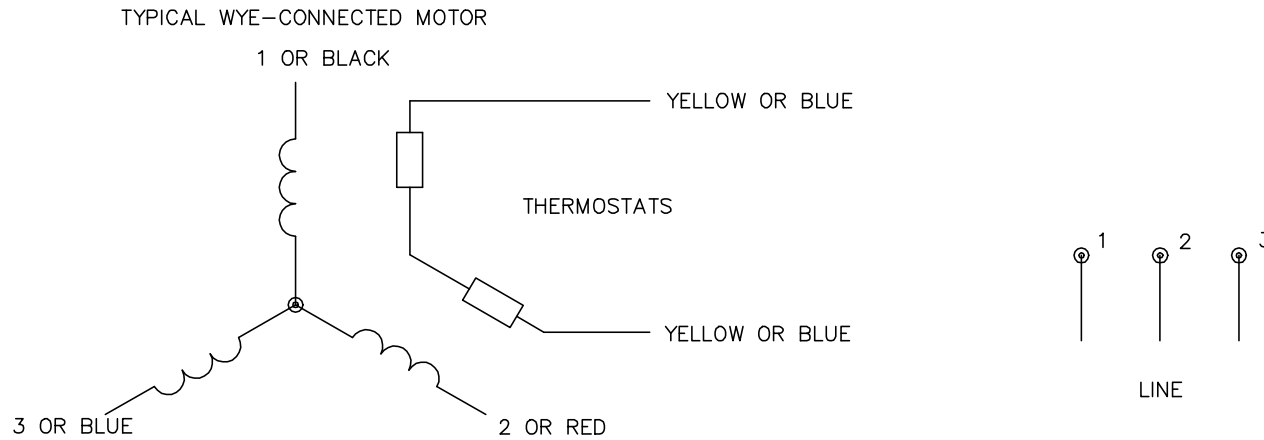
CD1388A02

REV. DESC: NEW			
REV. LTR: -	BY: FN	REVISED: 10: 20:15 03/25/2004	TDR: 328341
CD1388A02		FILE: AAA00115200	REF: CD1388A02
		MTL: -	

BALDOR ELECTRIC Co.

CONN DIAG KOYO ENCODER C/T, K.O. BOX & 16 PIN CONNECTOR

CD0006A02



NOTES:

1. INTERCHANGE ANY TWO LINE LEADS TO REVERSE ROTATION.
2. ACTUAL NUMBER OF INTERNAL PARALLEL CIRCUITS MAY VARY.

REV. DESC: REMOVED "OPTIONAL" FROM PRINT, SERVO REQ'S T'STATS		
REV. LTR: D	VERSION: 03	TDR: 000000414937
CD0006A02	FILE: \AAA\00068\606	REVISED: 10:02:28 11/21/2006
	MTL: -	BY: ENJEFD0

BALDOR ELECTRIC Co.

3PH, SV, 3 LEADS, WYE CONNECTED

CD0006A02