

BALDOR® • RELIANCE™

Customer information packet

BSM90C-2250AA

BSM90C-2250AA T'STAT, RESOLVE

Specifications

Enclosure	TENV
Nameplate Speed	1200
Agency Approvals	CE CSA TUV UR
Base Indicator	Bracket Mounted
Dimensional Drawing Numbers	S3LYP155
Frame	D130D
Frame Material	Exposed Laminations
Motor Lead Quantity/Wire Size	3 @ 18 AWG
Motor Standards	IEC
Mounting Arrangement	F1
Nameplate Output	0.67KW
Shaft Rotation	Reversible

Part detail

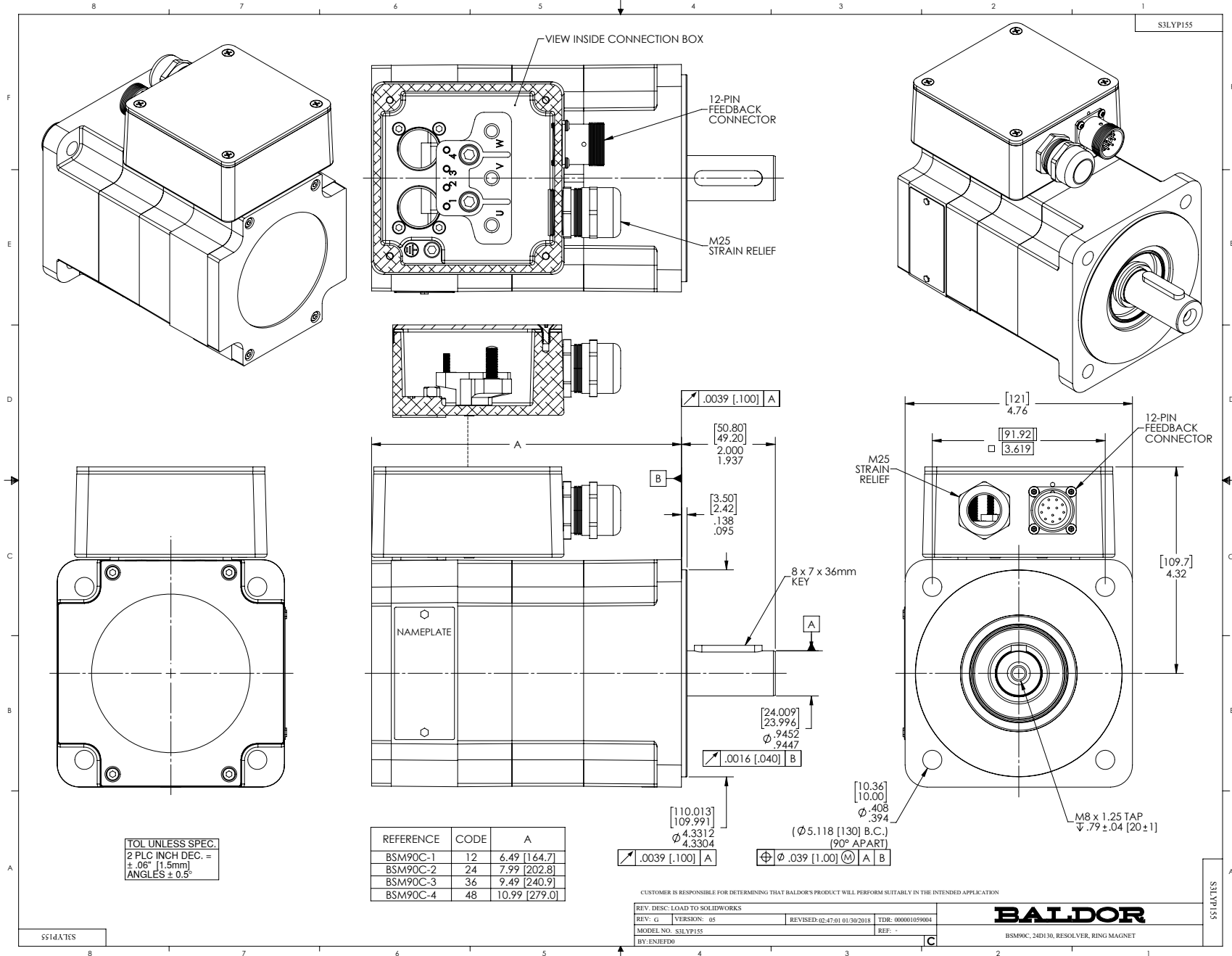
Revision	AL
Type	AC
Mech. spec.	S3P155
Base	
Status	PRD/A
Elec. spec.	S3WGW080
Layout	S3LYP155
Eff. date	08-05-2024
CD Diagram	CD0006A02
Poles	08
Leads	3#18
Proprietary	False
Created date	01-01-0001

Nameplate

NP2863L					
CAT.NO.	BSM90C-2250AA				
SPEC.	S3P155W080				
MFG.NO.					
TORQ CONT STALL	5.2 NM				
CUR CONT STALL/A RMS	2.51				
POWER	0.67KW				
RATED SPEED/RPM(1/MIN)	1200				
RATED BUS VOLTS	320				
PEAK CUR/A RMS	7.52				
MAX SPEED/RPM(1/MIN)	6000				
IP	54	IC	410	WT.	12.7
CLASS	F	25C RATED			

Accessories

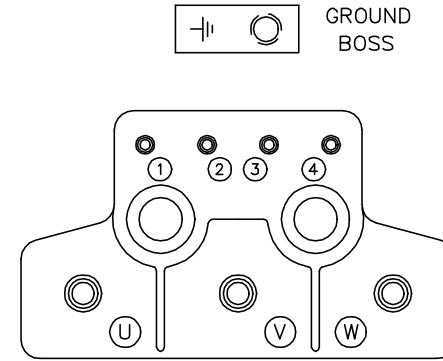
Part number	Description	Multiplier
GBSM90-MRP120-4	Std. Servo Gearbox Ratio 4:1	E4
GBSM90-MRP120-5	Std. Servo Gearbox Ratio 5:1	E4
GBSM90-MRP120-7	Std. Servo Gearbox Ratio 7:1	E4
GBSM90-MRP120-10	Std. Servo Gearbox Ratio 10:1	E4
GBSM90-MRP120-25	Std. Servo Gearbox Ratio 25:1	E4



CD1404

MOTOR CONNECTIONS

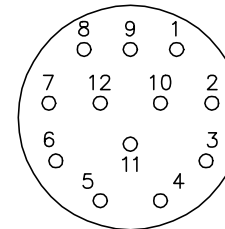
TERMINAL LABEL	FUNCTION	INTERNAL WIRE MARKING
1	THERMAL SWITCH	YELLOW
2	THERMAL SWITCH	YELLOW
3	BRAKE (OPTIONAL)	BLACK
4	BRAKE (OPTIONAL)	BLACK
⊥	GROUND	-----
U	PHASE U	T1
V	PHASE V	T2
W	PHASE W	T3



RESOLVER CONNECTIONS

PIN	FUNCTION	INTERNAL WIRE COLOR
1	REF HI R1	RED/WHITE
2	REF LO R2	YELLOW/WHITE (or) BLACK/WHITE
3	COS+ S1	RED
4	COS- S3	BLACK
5	SINE+ S2	BLUE
6	SINE- S4	YELLOW

12 PIN THREADED CONNECTOR (INSERTION SIDE)



NOTE:

IF NO FEEDBACK, OMIT RESOLVER CONNECTIONS.

REV. DESC: ADDED OPTIONAL BLACK/WHITE COLOR TO REF-LO-R2		
REV. LTR: B	VERSION: 01	TDR: 000001151947
FILE: \AAA\00065\150	REVISED: 01:18:21 10/27/2020	BY: ENJFDO
MTL: -		© □

BALDOR - RELIANCE®

CONN. DIAG.-BSM,RESOLVER,BRAKE,TERMINAL BLOCK,12 PIN CONN

SH 1 of 1

CD1404

CD0006A02



NOTES:

1. INTERCHANGE ANY TWO LINE LEADS TO REVERSE ROTATION.
2. ACTUAL NUMBER OF INTERNAL PARALLEL CIRCUITS MAY VARY.

REV. DESC: REMOVED "OPTIONAL" FROM PRINT, SERVO REQ'S T'STATS		
REV. LTR: D	VERSION: 03	TDR: 000000414937
CD0006A02	FILE: \AAA\00068\606	REVISED: 10:02:28 11/21/2006
	MTL: -	BY: ENJEFD0

BALDOR ELECTRIC Co.

3PH, SV, 3 LEADS, WYE CONNECTED

CD0006A02