

ABB BALDOR RELIANCE III

Customer information packet BSM80N-233AF

BSM80N-233AF T'STAT ENCODER

Specifications

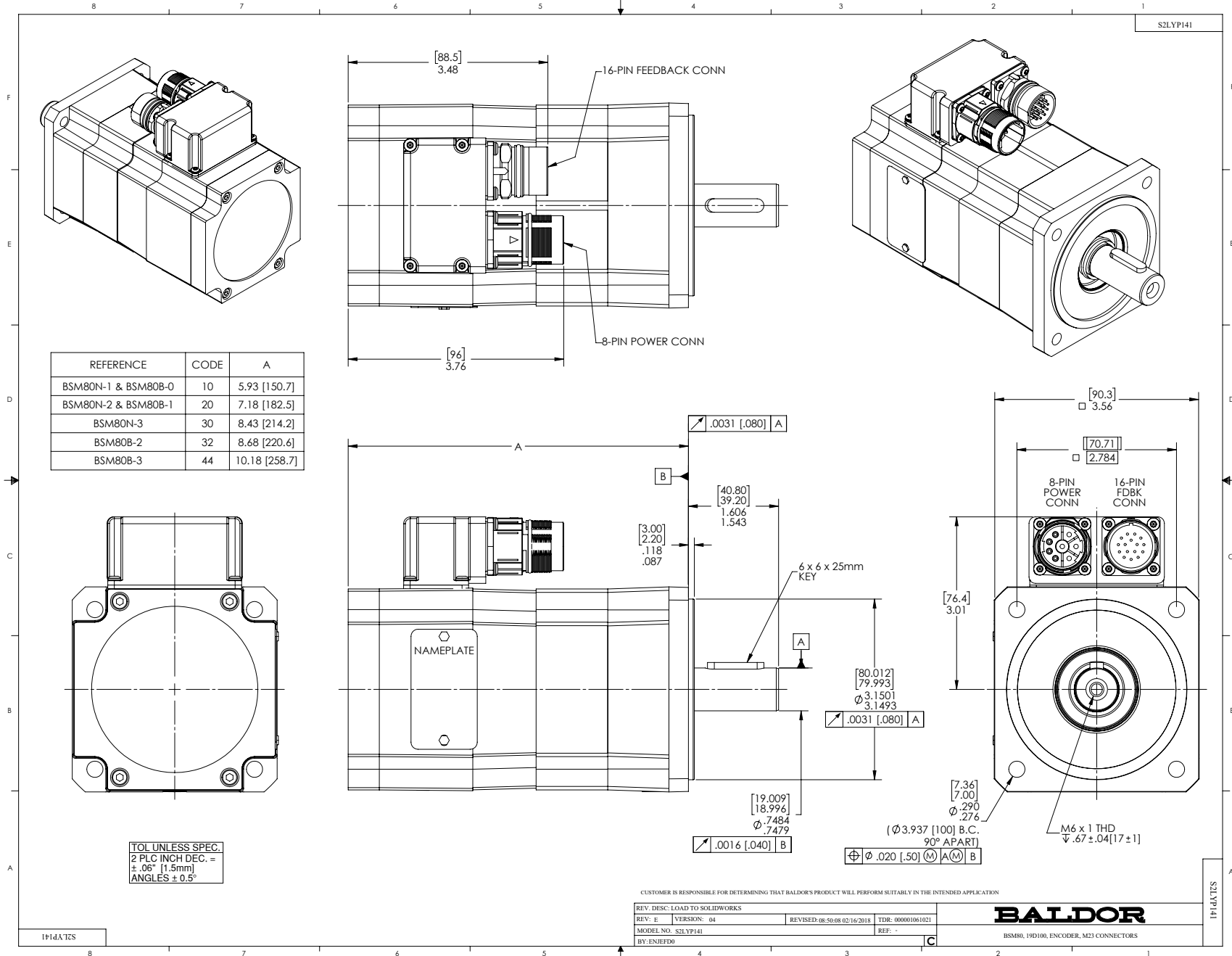
Enclosure	TENV
Nameplate Speed	6000
Agency Approvals	CE CSA TUV UR WEEE
Base Indicator	Bracket Mounted
Dimensional Drawing Numbers	S2LYP141
Frame	D100D
Motor Lead Quantity/Wire Size	3 @ 16 AWG
Motor Standards	IEC
Mounting Arrangement	F1
Nameplate Output	1.57KW
Shaft Rotation	Reversible

Part Detail

Revision	AL
Type	AC
Mech. spec.	S2P141
Base	
Status	PRD/A
Elec. spec.	S2WGW044
Layout	S2LYP141
Eff. date	07-16-2025
CD Diagram	CD0006A02
Poles	04
Leads	3#16
Proprietary	False
Created date	01-01-0001

Nameplate

NP2864L									
CAT.NO.	BSM80N-233AF								
BLANK									
SPEC.	S2P141W044								
MFG.NO.									
TORQ CONT STALL	3.2 NM								
CUR CONT STALL/A RMS	8.76								
POWER	1.23KW								
RATED SPEED/RPM(1/MIN)	4000								
RATED BUS VOLTS	160								
PEAK CUR/A RMS	35								
MAX SPEED/RPM(1/MIN)	7000			AMB.	25				
CLASS	F	IP	54	IC	410	MOTOR MASS			5.4



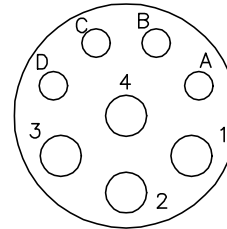
CD1297A04

MOTOR CONNECTIONS

PIN	FUNCTION	INTERNAL WIRE COLOR
A	*THERMAL SWITCH	YELLOW
B	*THERMAL SWITCH	YELLOW
C	*BRAKE	BLACK
D	*BRAKE	BLACK
1	U	BLACK
2	GROUND	GREEN OR **GREEN/YELLOW
3	W	BLUE
4	V	RED

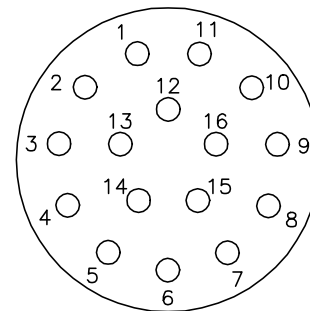
*WHEN REQUIRED

**CE MOTORS REQUIRE GREEN/YELLOW GROUND



8 PIN MOTOR CONNECTOR
THREADED CRIMP PIN STYLE

PIN	FUNCTION	WIRE COLOR
1	DC+5V	RED/BLUE
2	GROUND	BLUE/RED
3	CHANNEL A	BLUE
4	CHANNEL \bar{A}	ORANGE
5	CHANNEL B	GREEN
6	CHANNEL \bar{B}	BROWN
7	CHANNEL Z	BLACK
8	CHANNEL \bar{Z}	YELLOW
9	OPEN	---
10	CHANNEL U	WHITE/BROWN
11	CHANNEL \bar{U}	BROWN/WHITE
12	CHANNEL V	WHITE/GRAY
13	CHANNEL \bar{V}	GRAY/WHITE
14	CHANNEL W	RED/ORANGE
15	CHANNEL \bar{W}	ORANGE/RED
16	OPEN	---



16 PIN CONNECTOR
THREADED CRIMP PIN STYLE

16- #20 CONTACT SIZE
(CRIMP SIDE)

CD1297A04

REV. DESC: ADD CE NOTE AND GREEN/YELLOW GROUND

REV. LTR: A

VERSION: 01

TDR: 000001192301

FILE: \AAA\00115\154

REVISED: 02:31:08 06/13/2022

BY: ENDANDO

MTL: -



BALDOR - RELIANCE®

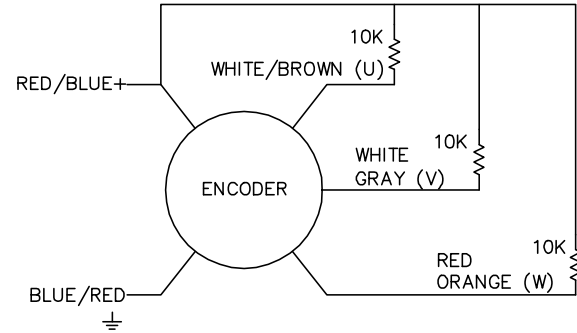
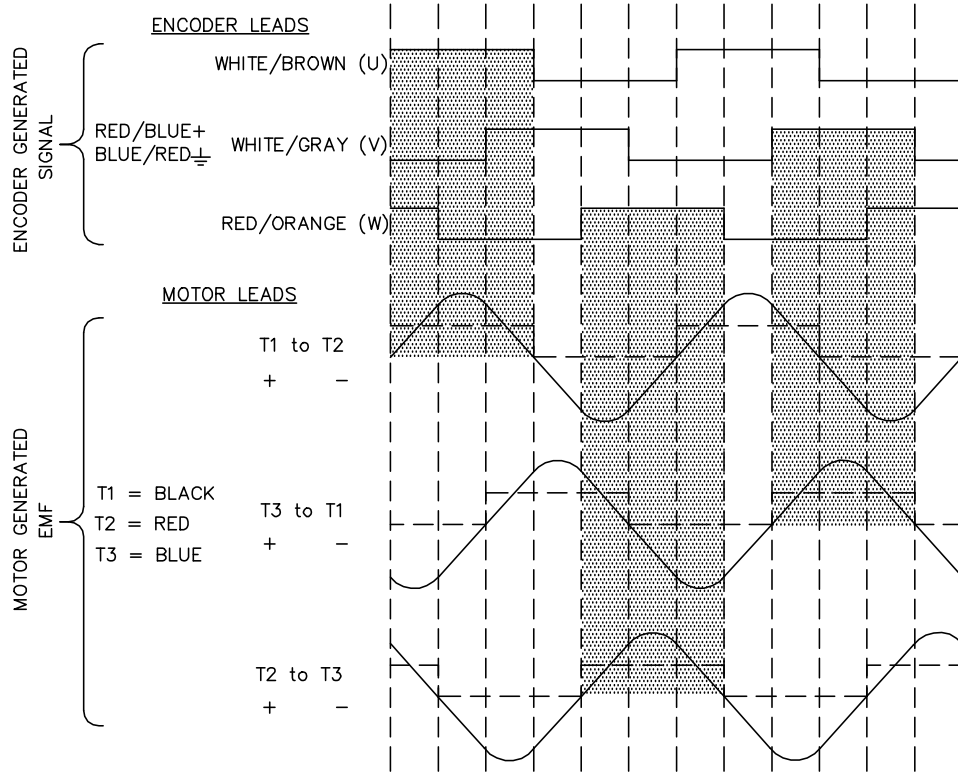
KOYO ENCODER (CHANNELS TO MATCH TMGW/SUMTAK OUTPUT)

SH 1 of 1

CD1338A01

BRUSHLESS D.C. COMMUTATION

8 POLE MECHANICAL DEGREES	0	15	30	45	60	75	90	105	120	135	150	165	180
4 POLE MECHANICAL DEGREES	0	30	60	90	120	150	180	210	240	270	300	330	360
ELECTRICAL DEGREES	0	60	120	180	240	300	360	420	480	540	600	660	720



NOTE:
CCW ROTATION VIEWING
MOTOR SHAFT END

CD1338A01

REV. DESC: NEW			
REV. LTR: -	BY: FN	REVISED: 11:22:25 03/24/2004	TDR: 328266
CD1338A01		FILE: AAA00115153	REF: CD1338A01
		MTL: -	

BALDOR ELECTRIC Co.

BLDC COMMUTATION KOYO ENC.(CHANNELS TO MATCH TMGW/SUMTAK)

CD0006A02



NOTES:

1. INTERCHANGE ANY TWO LINE LEADS TO REVERSE ROTATION.
2. ACTUAL NUMBER OF INTERNAL PARALLEL CIRCUITS MAY VARY.

REV. DESC: REMOVED "OPTIONAL" FROM PRINT, SERVO REQ'S T'STATS		
REV. LTR: D	VERSION: 03	TDR: 000000414937
CD0006A02	FILE: \AAA\00068\606	REVISED: 10:02:28 11/21/2006
	MTL: -	BY: ENJFDO

BALDOR ELECTRIC Co.

3PH, SV, 3 LEADS, WYE CONNECTED

CD0006A02