

ABB BALDOR RELIANCE III

Customer information packet BSM80N-233AA

BSM80N-233AA (NEO) T'STAT, RESOLVER

Specifications

Enclosure	TENV
Nameplate Speed	6000
Agency Approvals	CE CSA TUV UR
Base Indicator	Bracket Mounted
Dimensional Drawing Numbers	S2LYP100
Frame	D100D
Frame Material	Exposed Laminations
Motor Lead Quantity/Wire Size	3 @ 16 AWG
Motor Standards	IEC
Mounting Arrangement	F1
Nameplate Output	1.57KW
Shaft Rotation	Reversible

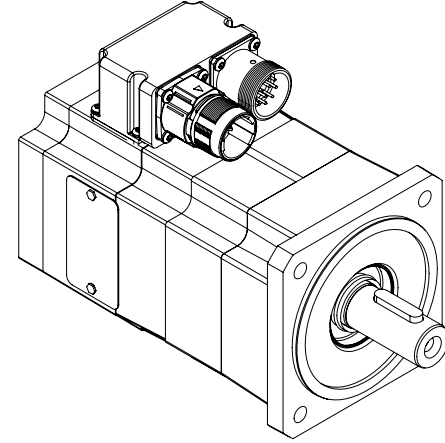
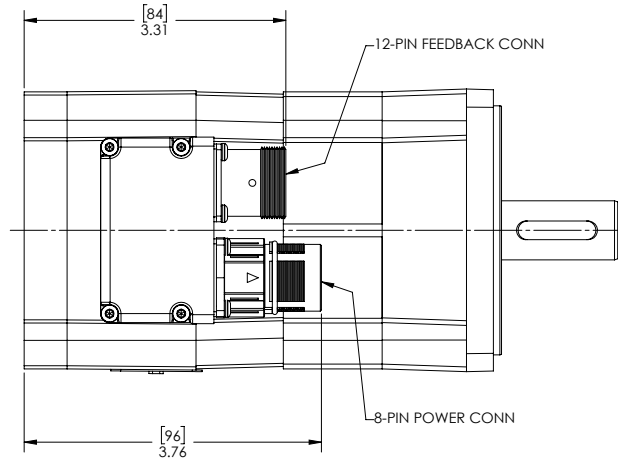
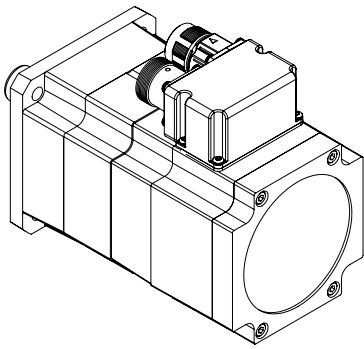
Part Detail

Revision	AC
Type	AC
Mech. spec.	S2P100
Base	
Status	PRD/A
Elec. spec.	S2WGW044
Layout	S2LYP100
Eff. date	07-16-2025
CD Diagram	CD0006A02
Poles	04
Leads	3#16
Proprietary	False
Created date	01-01-0001

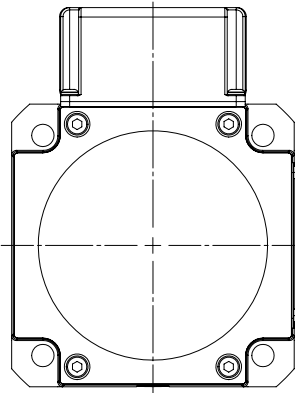
Nameplate

NP2864L									
CAT.NO.									
BLANK									
SPEC.	S2P100W044G1								
MFG.NO.									
TORQ CONT STALL	3.2 NM								
CUR CONT STALL/A RMS	8.76								
POWER	1.23KW								
RATED SPEED/RPM(1/MIN)	4000								
RATED BUS VOLTS	160								
PEAK CUR/A RMS	35								
MAX SPEED/RPM(1/MIN)	7000			AMB.	25				
CLASS	F	IP	54	IC	410	MOTOR MASS			5.4

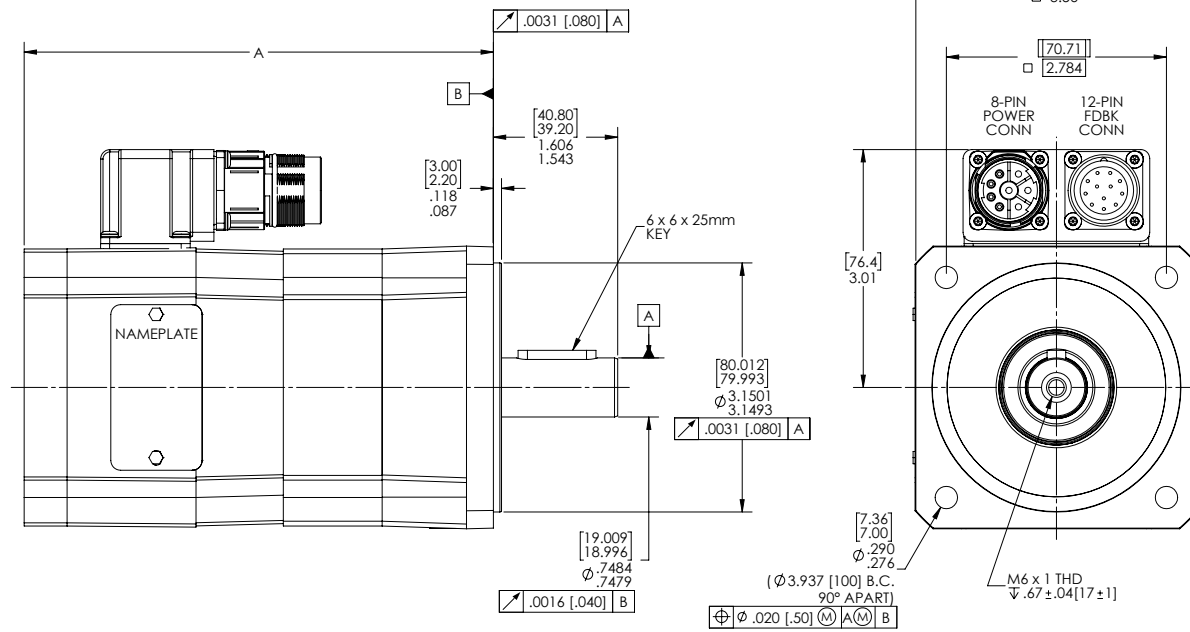
S2LYP100



REFERENCE	CODE	A
BSM80N-1 & BSM80B-0	10	5.93 [150.7]
BSM80N-2 & BSM80B-1	20	7.18 [182.5]
BSM80N-3	30	8.43 [214.2]
BSM80B-2	32	8.68 [220.6]
BSM80B-3	44	10.18 [258.7]



TOL UNLESS SPEC.
2 PLC INCH DEC. =
± .06" [1.5mm]
ANGLES ± 0.5°



CUSTOMER IS RESPONSIBLE FOR DETERMINING THAT BALDOR'S PRODUCT WILL PERFORM SUITABLY IN THE INTENDED APPLICATION

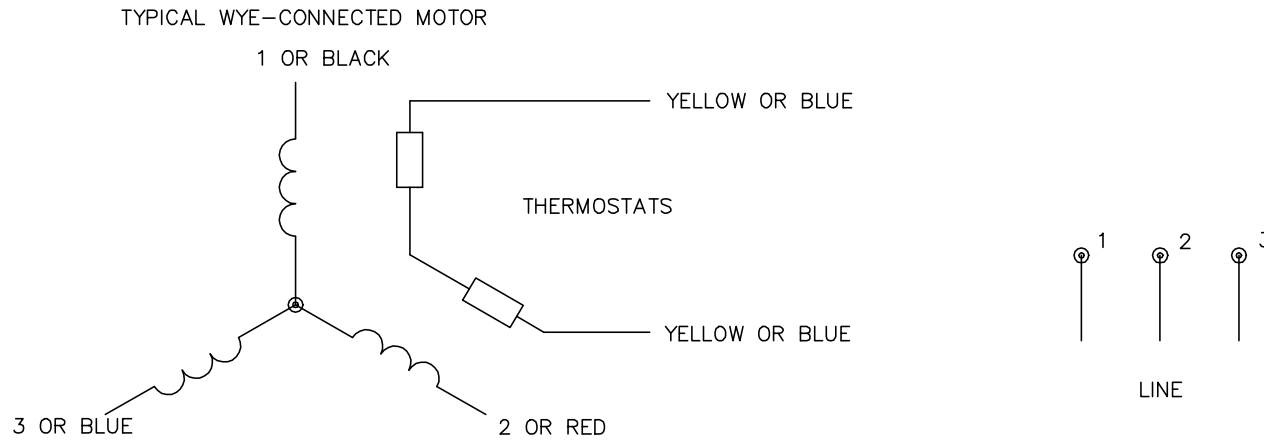
REV. DESC: UPDATE LAYOUT GRAPHICS			
REV: J	VERSION: 05	REVISED: 04-19-09 01:30/2018	TDR: 00001059004
MODEL NO. S2LYP100		REF: -	
BY: ENJEFFD0			

BALDOR

BSM80, 19D100, RESOLVER, M23 CONNECTORS

0014ATCS

CD0006A02



NOTES:

1. INTERCHANGE ANY TWO LINE LEADS TO REVERSE ROTATION.
2. ACTUAL NUMBER OF INTERNAL PARALLEL CIRCUITS MAY VARY.

REV. DESC: REMOVED "OPTIONAL" FROM PRINT, SERVO REQ'S T'STATS		
REV. LTR: D	VERSION: 03	TDR: 000000414937
CD0006A02	FILE: \AAA\00068\606	REVISED: 10:02:28 11/21/2006
	MTL: -	BY: ENJEFO

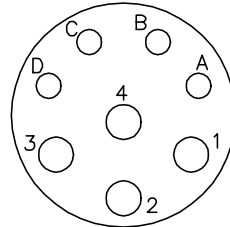
BALDOR ELECTRIC Co.

3PH, SV, 3 LEADS, WYE CONNECTED

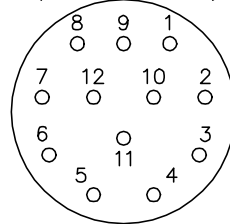
CD0006A02

CD1321

8 PIN THREADED CONNECTOR
(CRIMP STYLE)
(INSERTION SIDE)



12 PIN THREADED CONNECTOR
(CRIMP STYLE)
(INSERTION SIDE)



MOTOR CONNECTIONS

PIN	FUNCTION	INTERNAL/EXTERNAL MARKINGS
A	THERMAL SWITCH	YELLOW
B	THERMAL SWITCH	YELLOW
C	BRAKE (OPTIONAL)	BLACK (* RED)
D	BRAKE (OPTIONAL)	BLACK
1	U	BLACK OR T1
2	GROUND	GREEN OR **GREEN/YELLOW
3	W	BLUE OR T3
4	V	RED OR T2

* WHEN REQUIRED

**CE MOTORS REQUIRE GREEN/YELLOW GROUND

RESOLVER CONNECTIONS

PIN	FUNCTION	INTERNAL WIRE COLOR
1	REF HI R1	RED/WHITE
2	REF LO R2	YELLOW/WHITE
3	COS+ S1	RED
4	COS- S3	BLACK
5	SINE- S4	BLUE
6	SINE+ S2	YELLOW

CD1321

REV. DESC: ADD CE NOTE AND GREEN/YELLOW GROUND		
REV. LTR: F	VERSION: 03	TDR: 000001192301
FILE: \AAA\00055\309	REVISED: 02:34:44 06/13/2022	BY: ENDANDO
MTL: -	© □	

BALDOR - RELIANCE®

BSM WIRING DIAG, POWER & RESOLVER, 8 & 12 PIN THD CONNECT.

SH 1 of 1