

ABB BALDOR RELIANCE III



Customer information packet

BSM80C-4150AA

BSM80C-4150AA T'STAT RESOLVER

Copyright © All product information within this document is subject to ABB Motors and Mechanical Inc. copyright © protection, unless otherwise noted.

7/8/2026 12:36:32 AM

Specifications

Enclosure	TENV
Nameplate Speed	4000
Agency Approvals	CE CSA TUV UR WEEE
Base Indicator	Bracket Mounted
Dimensional Drawing Numbers	S2LYP166
Frame	D100D
Motor Lead Quantity/Wire Size	3 @ 18 AWG
Motor Standards	IEC
Mounting Arrangement	F1
Nameplate Output	1.73KW
Shaft Rotation	Reversible

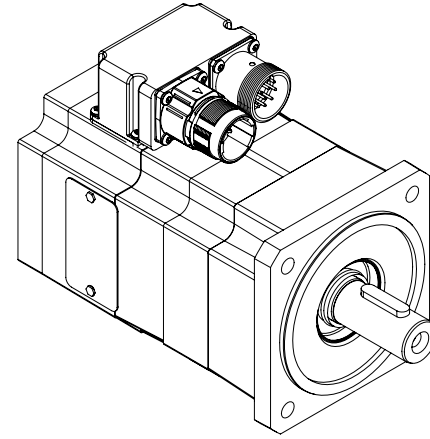
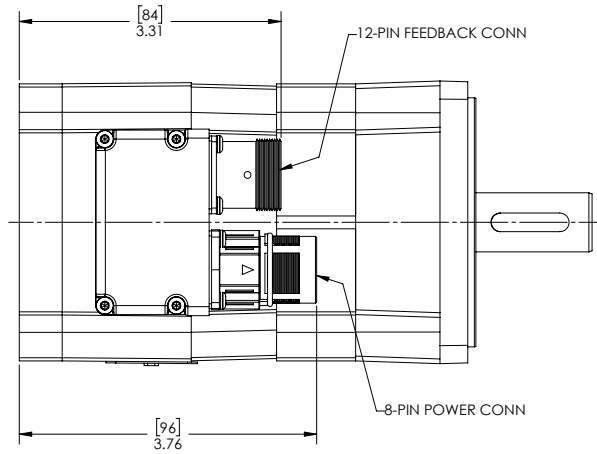
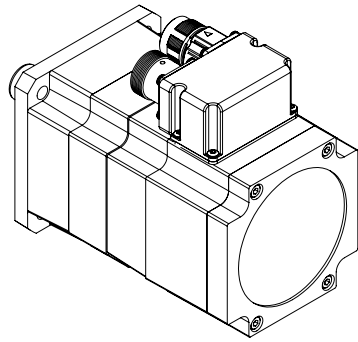
Part Detail

Revision	AB
Type	AC
Mech. spec.	S2P166
Base	
Status	PRD/A
Elec. spec.	S2WGW071
Layout	S2LYP166
Eff. date	05-29-2026
CD Diagram	CD0006A02
Poles	04
Leads	3#18
Proprietary	False
Created date	01-01-0001

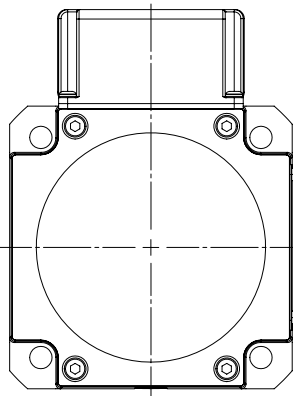
Nameplate

NP2864L									
CAT.NO.	BSM80C-4150AA								
BLANK									
SPEC.	S2P166W071								
MFG.NO.									
TORQ CONT STALL	4.3 NM								
CUR CONT STALL/A RMS	3.17								
POWER	0.9KW								
RATED SPEED/RPM(1/MIN)	2000								
RATED BUS VOLTS	320								
PEAK CUR/A RMS	9.54								
MAX SPEED/RPM(1/MIN)	7000			AMB.	25				
CLASS	F	IP	54	IC	410	MOTOR MASS			8

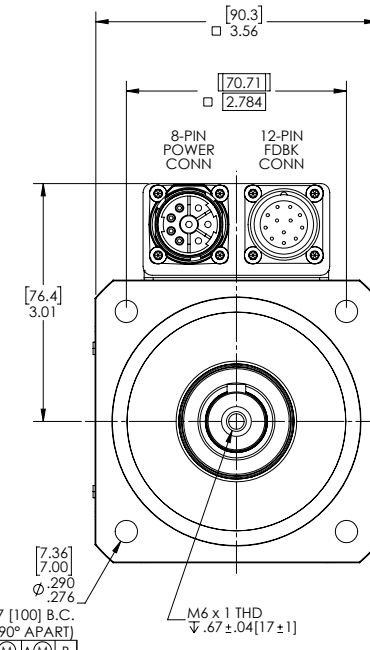
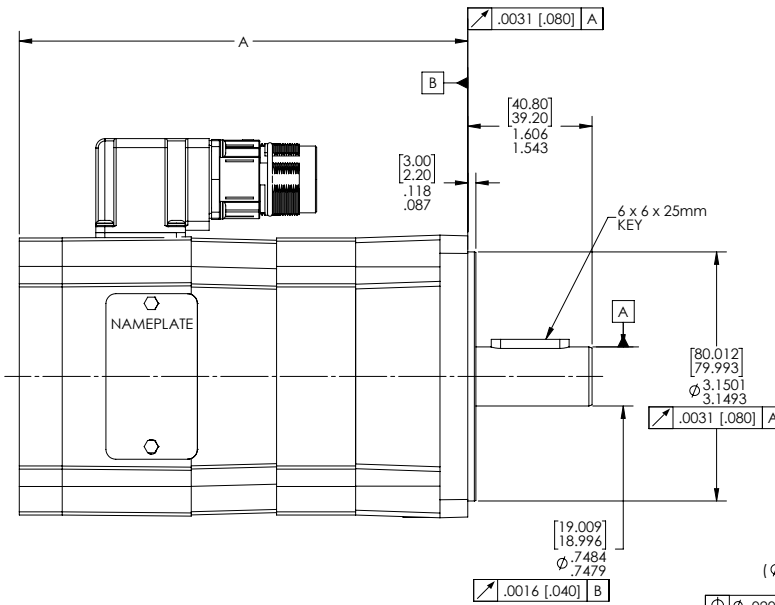
S2LYP166



REFERENCE	CODE	A
BSM80C-1	08	5.67 [144.0]
BSM80C-2	16	6.67 [169.4]
BSM80C-3	24	7.67 [194.8]
BSM80C-4	32	8.67 [220.2]



TOL UNLESS SPEC.
2 PLC INCH DEC. =
± .06" [1.5mm]
ANGLES ± 0.5°



CUSTOMER IS RESPONSIBLE FOR DETERMINING THAT BALDOR'S PRODUCT WILL PERFORM SUITABLY IN THE INTENDED APPLICATION

REV. DESC: LOAD TO SOLIDWORKS	REVISED: 03-09-43 01/30/2018	TDR: 000001059004
REV: G	VERSION: 05	REF: -
MODEL NO. S2LYP166		
BY: ENJEFFD0		

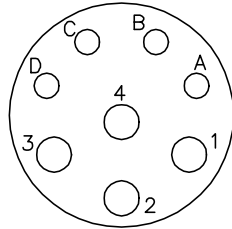
BALDOR

BSM80C, 19D100, RESOLVER, M23 CONNECTORS, RING MAGNET

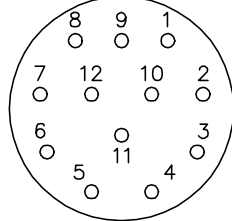
991dATES

9914ATCS

8 PIN THREADED CONNECTOR
(CRIMP STYLE)
(INSERTION SIDE)



12 PIN THREADED CONNECTOR
(CRIMP STYLE)
(INSERTION SIDE)



MOTOR CONNECTIONS

PIN	FUNCTION	INTERNAL/EXTERNAL MARKINGS
A	THERMAL SWITCH	YELLOW
B	THERMAL SWITCH	YELLOW
C	BRAKE (OPTIONAL)	BLACK (* RED)
D	BRAKE (OPTIONAL)	BLACK
1	U	BLACK OR T1
2	GROUND	GREEN OR **GREEN/YELLOW
3	W	BLUE OR T3
4	V	RED OR T2

* WHEN REQUIRED

**CE MOTORS REQUIRE GREEN/YELLOW GROUND

RESOLVER CONNECTIONS

PIN	FUNCTION	INTERNAL WIRE COLOR
1	REF HI R1	RED/WHITE
2	REF LO R2	YELLOW/WHITE
3	COS+ S1	RED
4	COS- S3	BLACK
5	SINE- S4	BLUE
6	SINE+ S2	YELLOW

CD1321

REV. DESC: ADD CE NOTE AND GREEN/YELLOW GROUND

REV. LTR: F

VERSION: 03

TDR: 000001192301

FILE: \AAA\00055\309

REVISED: 02:34:44 06/13/2022

BY: ENDANDO

MTL: -

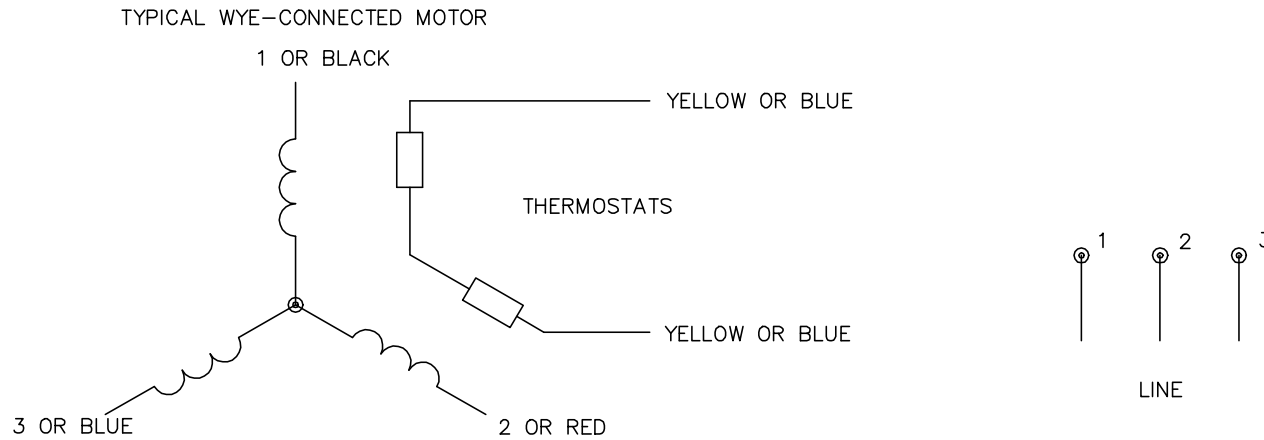


BALDOR - RELIANCE®

BSM WIRING DIAG, POWER & RESOLVER, 8 & 12 PIN THD CONNECT.

SH 1 of 1

CD0006A02



NOTES:

1. INTERCHANGE ANY TWO LINE LEADS TO REVERSE ROTATION.
2. ACTUAL NUMBER OF INTERNAL PARALLEL CIRCUITS MAY VARY.

REV. DESC: REMOVED "OPTIONAL" FROM PRINT, SERVO REQ'S T'STATS		
REV. LTR: D	VERSION: 03	TDR: 000000414937
CD0006A02	FILE: \AAA\00068\606	REVISED: 10:02:28 11/21/2006
	MTL: -	BY: ENJFDO

BALDOR ELECTRIC Co.

3PH, SV, 3 LEADS, WYE CONNECTED

CD0006A02