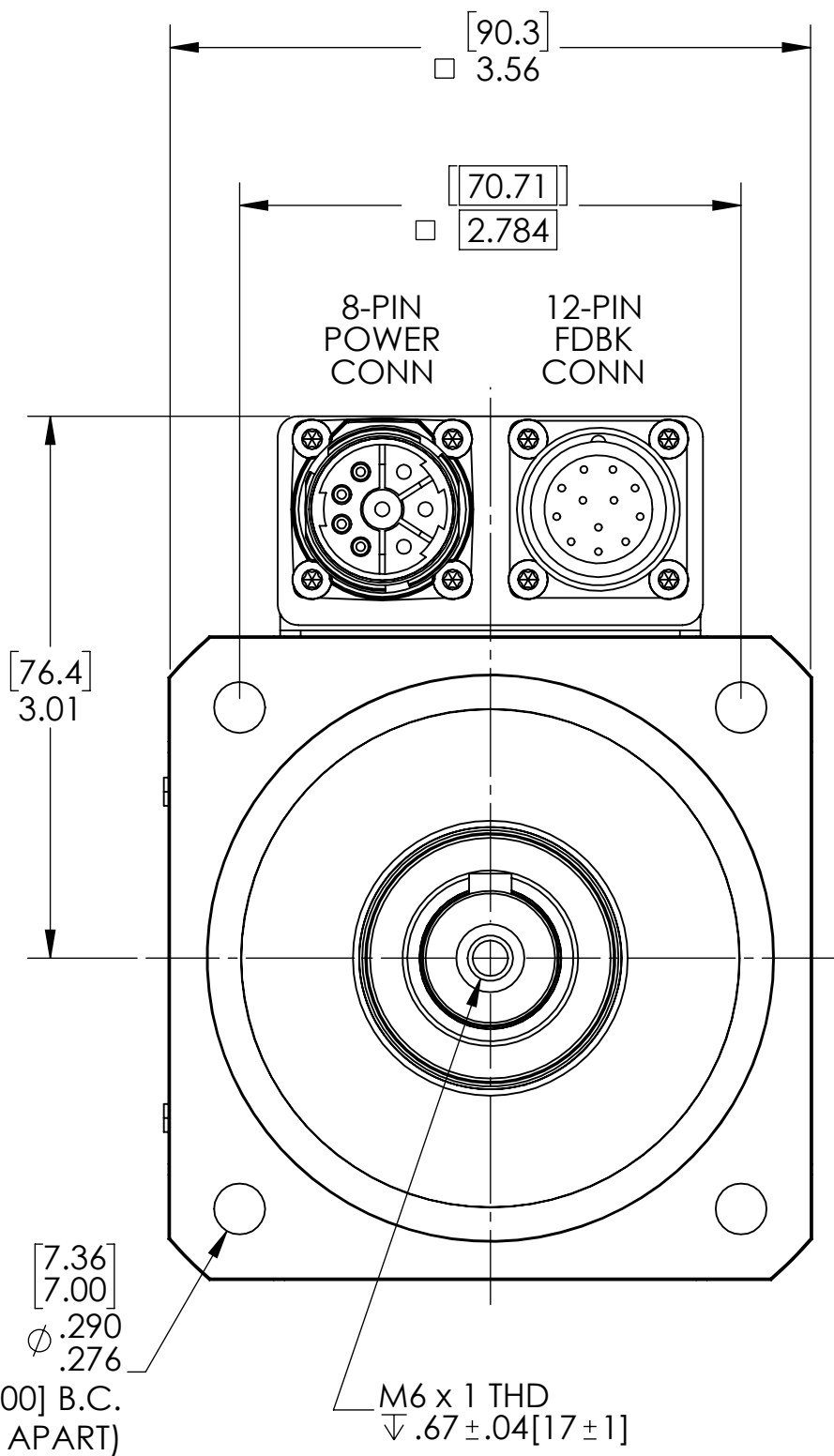
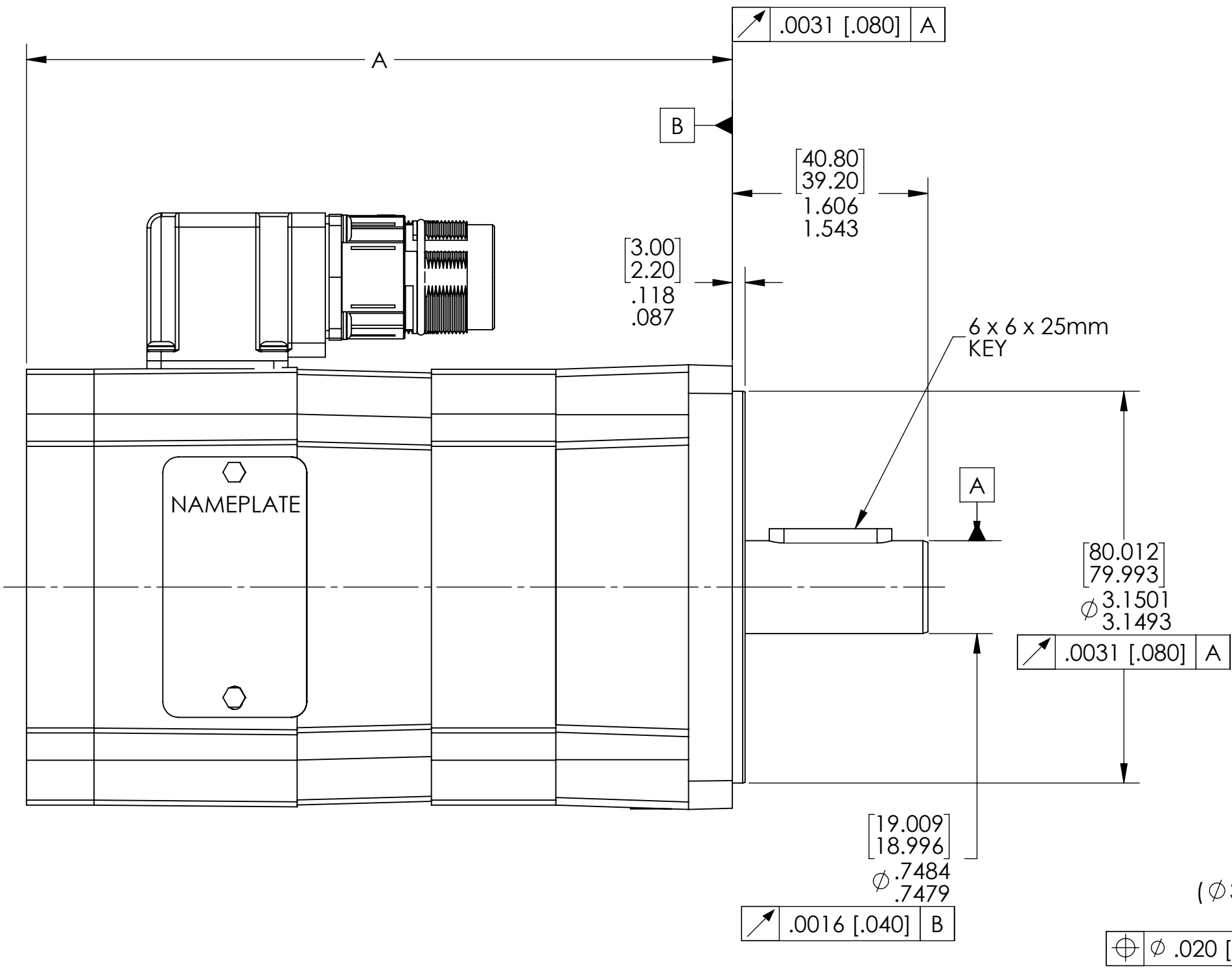
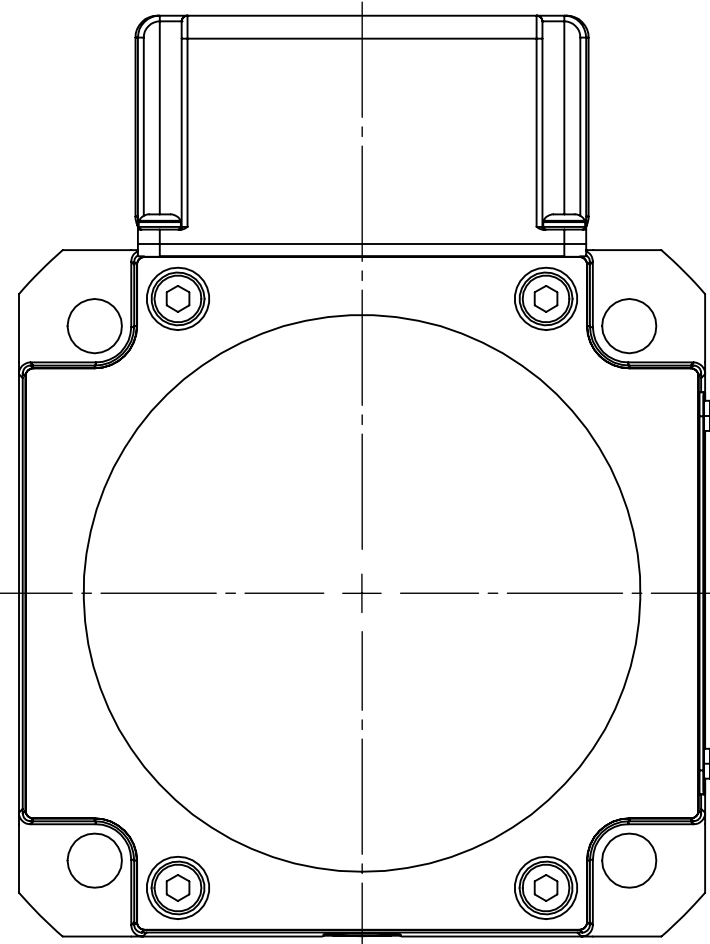


REFERENCE	CODE	A
BSM80C-1	08	5.67 [144.0]
BSM80C-2	16	6.67 [169.4]
BSM80C-3	24	7.67 [194.8]
BSM80C-4	32	8.67 [220.2]



TOL UNLESS SPEC.  
2 PLC INCH DEC. =  
± .06" [1.5mm]  
ANGLES ± 0.5°

CUSTOMER IS RESPONSIBLE FOR DETERMINING THAT BALDOR'S PRODUCT WILL PERFORM SUITABLY IN THE INTENDED APPLICATION

REV. DESC: LOAD TO SOLIDWORKS			
REV: G	VERSION: 05	REVISED: 03:09:43 01/30/2018	TDR: 000001059004
MODEL NO. S2LYP166		REF: -	
BY: ENJFDO			

**BALDOR**

BSM80C, 19D100, RESOLVER, M23 CONNECTORS, RING MAGNET